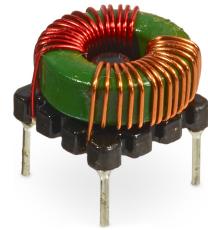
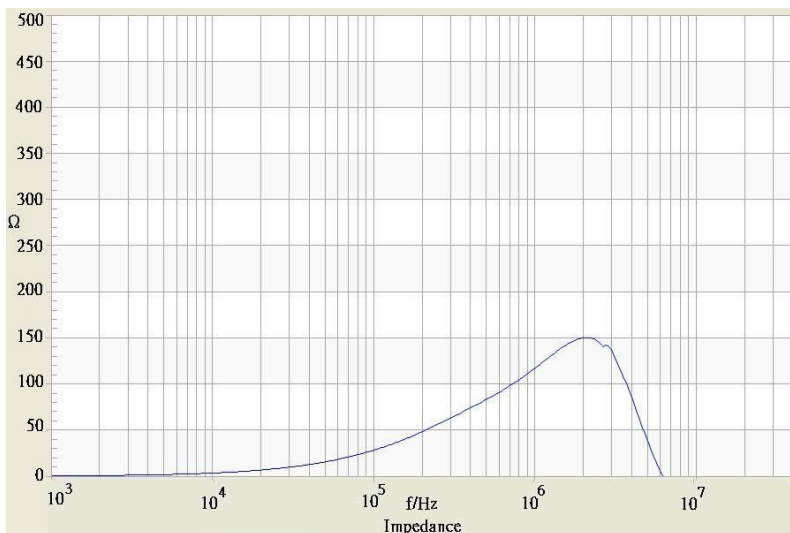


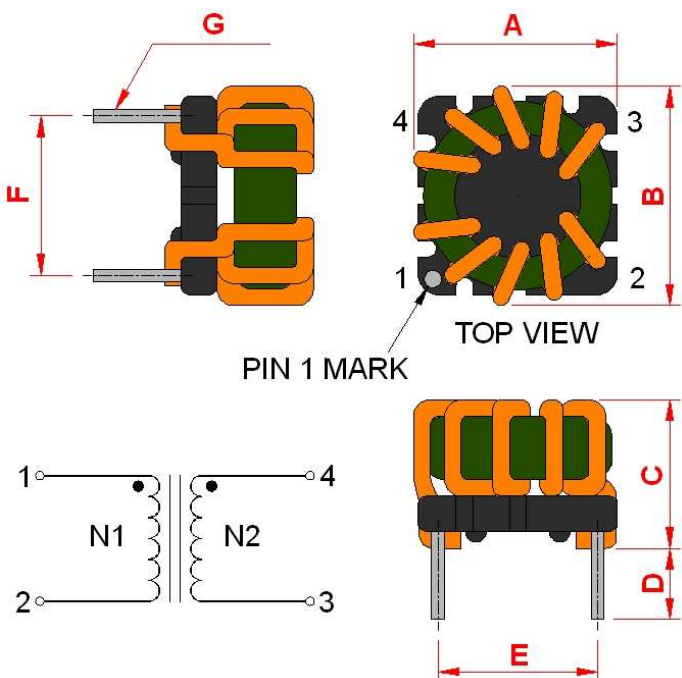
Order Code	TCK-075
Inductance (each winding)	33.3 μ H \pm 20% (at 10 kHz / 50 mV)
Impedance (DCR)	9 mOhm max.
Rated Current	4 A max.
Rated Voltage	500 VDC max. (between windings)
Operating Temperature	-40°C to +105°C



Impedance Curve



Outline Dimensions



Dimensions [mm]	
A	9.5 \pm 0.1
B	9.5 \pm 0.1
C	7.0 max.
D	2.5 min.
E	7.62 \pm 0.2
F	7.62 \pm 0.2
G	\varnothing 0.6 \pm 0.1