



Brand of NTN corporation

## Technical data

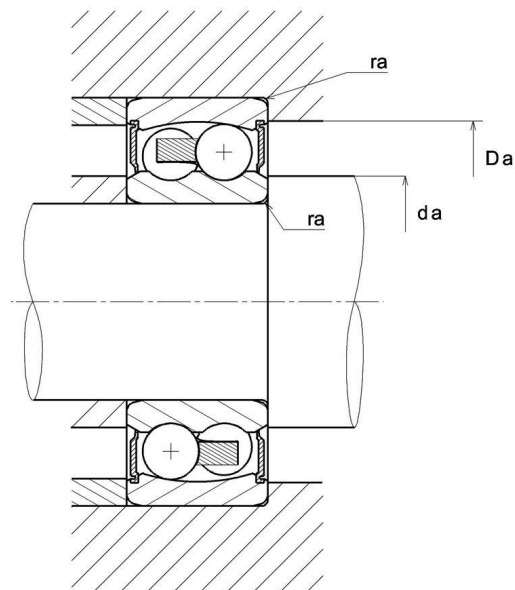
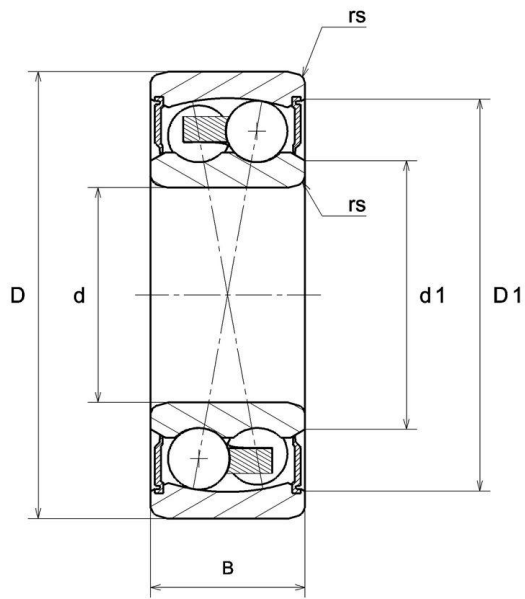
### 2210EEG15

Double-row self-aligning ball bearings



Self-aligning ball bearing, polyamide cage, friction seals on both sides

### VISUAL (S)



**NTN Europe**

1 rue des Usines · BP 2017 · 74010 Annecy Cedex · France · Tel. +33 (0)4 50 65 30 00  
S.A. au capital de 322 639 919 € · RCS ANNECY B 325 821 072 · Id. Fiscale : FR 48 325 821 072  
SIRET 325 821 072 00015 · Code APE 2815 Z · Code NACE 28.15

# 2210EEG15

## Double-row self-aligning ball bearings

### PRODUCT DEFINITION

<b>Brand</b>	SNR
<b>d - Internal diameter</b>	50 mm
<b>D - External diameter</b>	90 mm
<b>B - Bearing/Inner ring width</b>	23 mm
<b>d1 - External diameter inner ring</b>	60,5 mm
<b>D1 - Inner diameter outer ring</b>	79,8 mm
<b>rs - Min fillet radius</b>	1,1 mm
<b>Radial clearance class</b>	CN
<b>Precision class</b>	P0
<b>Mass</b>	0,63 kg

### PRODUCT PERFORMANCE

<b>C - Dynamic load</b>	22700000 mN
<b>C0 - Static load</b>	8100000 mN
<b>Cu - Fatigue limit load</b>	370000 mN
<b>e - Coefficient</b>	0.2
<b>Y0 - Static axial load coefficient</b>	3.32
<b>Y1 - Lower axial load coefficient</b>	3.17
<b>Y2 - Upper axial load coefficient</b>	4.9
<b>N lim - Mechanical Limit Speed</b>	24000 °/s
<b>Tmin - Min operating temperature</b>	253,15 °K
<b>Tmax - Max operating temperature</b>	393,15 °K

### BEARING FREQUENCIES

<b>BPFO - Over rolling frequency on outer ring (60 rpm)</b>	7.776 Hz
---	----------



**NTN Europe**

1 rue des Usines · BP 2017 · 74010 Annecy Cedex · France · Tel. +33 (0)4 50 65 30 00  
S.A. au capital de 322 639 919 € · RCS ANNECY B 325 821 072 · Id. Fiscale : FR 48 325 821 072  
SIRET 325 821 072 00015 · Code APE 2815 Z · Code NACE 28.15

# 2210EEG15

## Double-row self-aligning ball bearings

### BEARING FREQUENCIES

<b>BPFI - Over rolling frequency on inner (60 rpm)</b>	10.224 Hz
<b>BSF - Over rolling frequency on rolling element (60 rpm)</b>	7.152 Hz
<b>BRF - Rotational frequency - rolling element (60 rpm)</b>	3.576 Hz
<b>FTF - Rotational frequency - cage (60 rpm)</b>	0.432 Hz

### ABUTMENT

<b>da min - Min shoulder diameter IR</b>	56,5 mm
<b>Da max - Max shoulder diameter OR</b>	83,5 mm
<b>ra max - Max shaft &amp; housing fillet radius</b>	1 mm



#### NTN Europe

1 rue des Usines · BP 2017 · 74010 Annecy Cedex · France · Tel. +33 (0)4 50 65 30 00  
S.A. au capital de 322 639 919 € · RCS ANNECY B 325 821 072 · Id. Fiscale : FR 48 325 821 072  
SIRET 325 821 072 00015 · Code APE 2815 Z · Code NACE 28.15