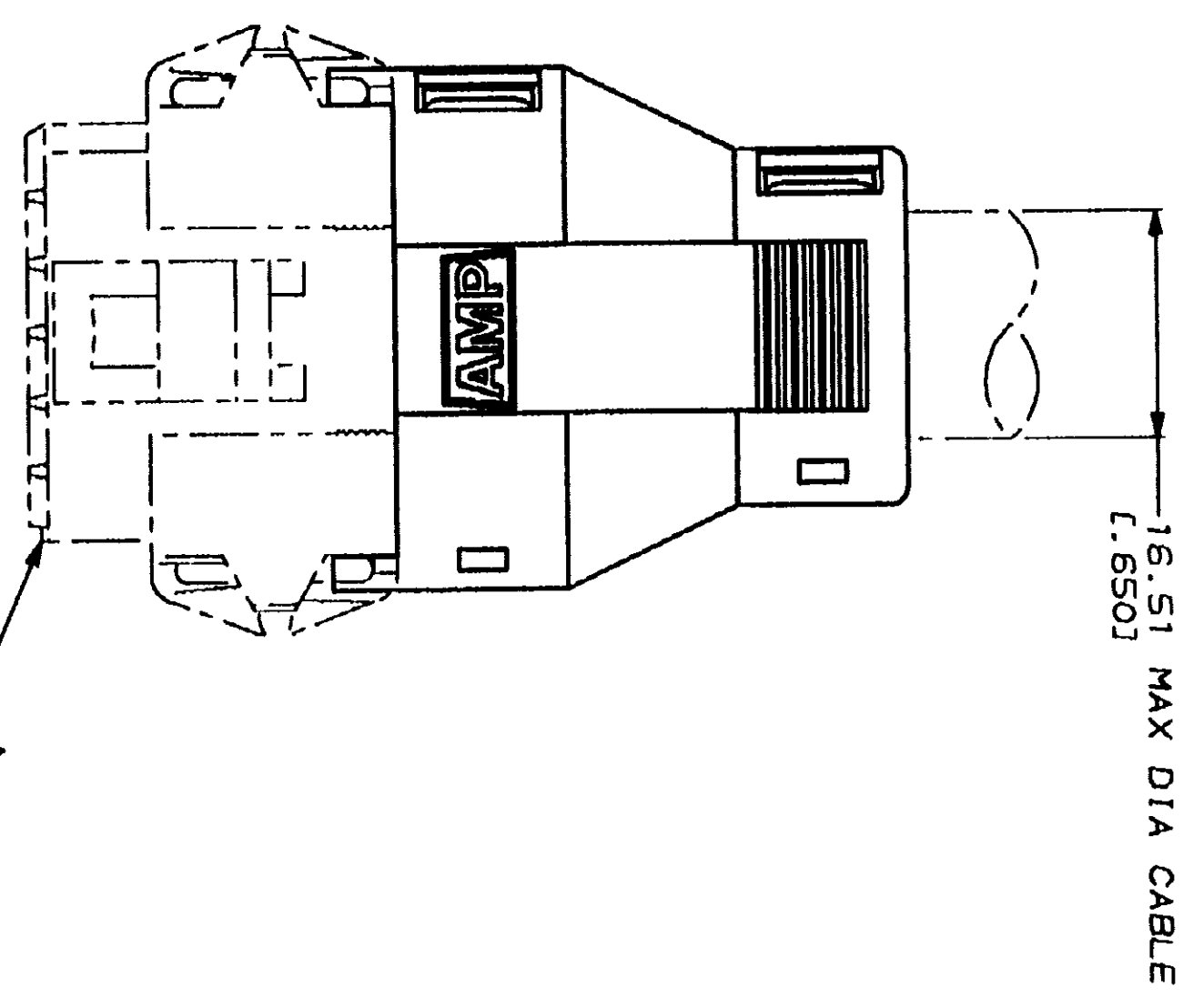
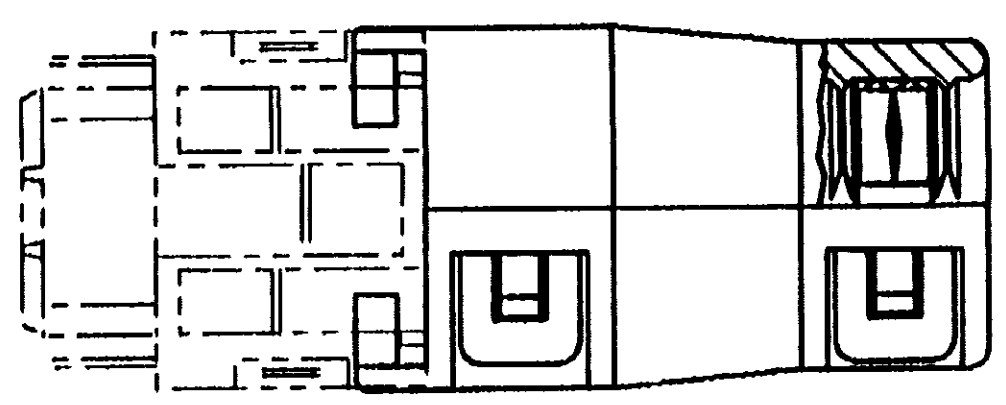
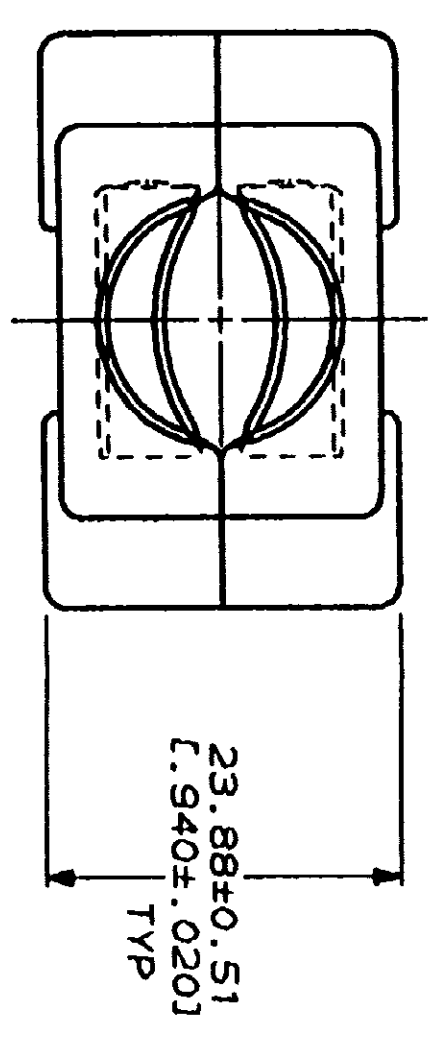
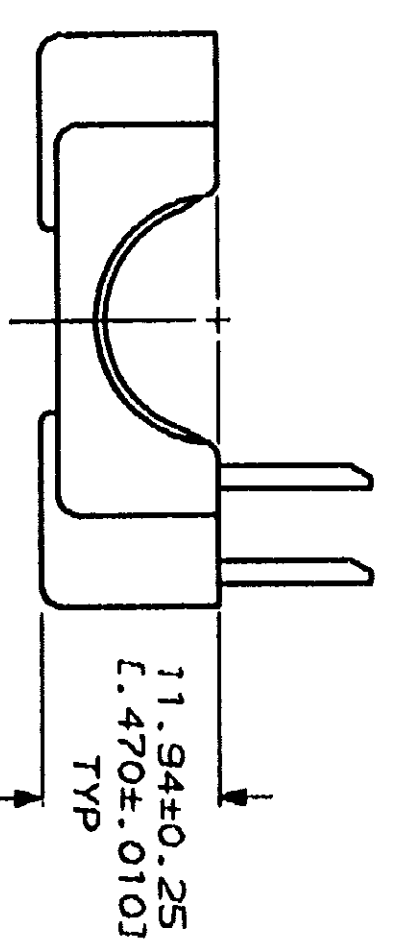
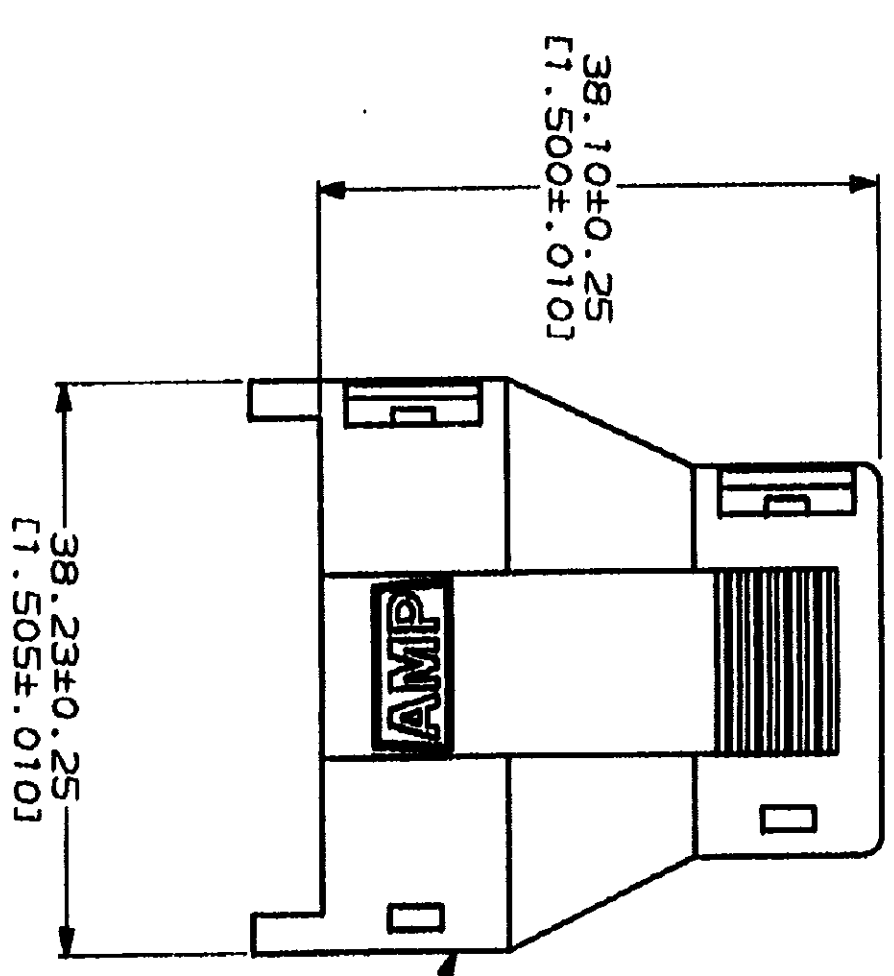
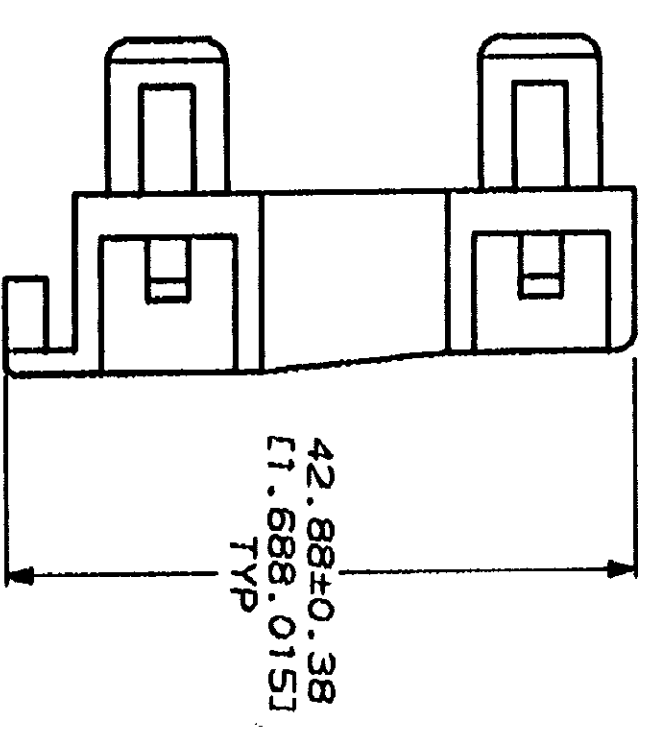
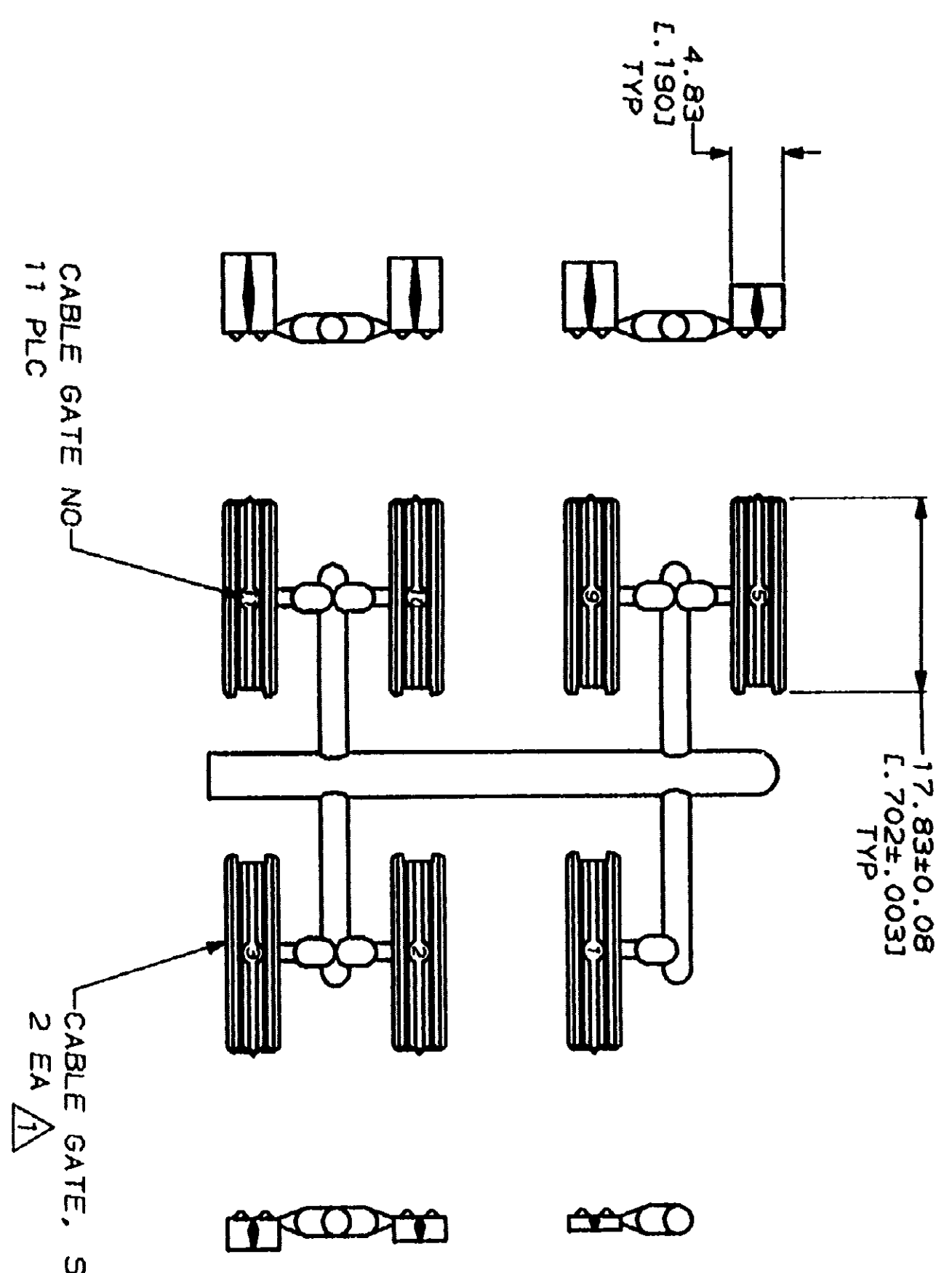


DRAWING MADE IN THIRD ANGLE PROJECTION
 THIS DRAWING IS UNPUBLISHED.
 © COPYRIGHT 1981 BY AMP INCORPORATED. ALL INTERNATIONAL RIGHTS RESERVED.



ASSEMBLED VIEW

△ A VARIETY OF CABLE GATES ARE PROVIDED TO ACCOMMODATE A VARIETY OF CUSTOMER CABLE SIZES.
 △ PLUG SHOWN FOR REFERENCE ONLY, STRAIN RELIEF CAN BE USED ON EITHER PLUG OR RECEPTACLE.



HOUSING, STRAIN RELIEF
 2 EA

REV	DATE	BY	CHKD	REVISIONS
1	1-92	AT	BD	REWORK & REVISED, ECN B05681
2	1-92	AT	BD	REVISED PER ECN B06065

207603-1
 PART NO

DO NOT SCALE PRINT.
 DIMENSIONS SPECIFIED UNLESS SPECIFIED OTHERWISE IN MILLIMETERS OR INCHES.
 TOLERANCES ON DIMENSIONS:
 1. DECIMAL DIMENSIONS: ±0.13(0.005)
 2. FRACTIONAL DIMENSIONS: ±0.005
 3. ANGLES: ±0.1°
 MATERIAL: NYLON, NATURAL RED
 FINISH: -

AMP Incorporated
 Harrisburg, PA 17105-3608

DR 1-25-92 J. McClinton
 CHK 1-29-92 R. Stone
 APPD 1-31-92 A. Travis
 PRODUCT SPEC 108-10039
 APPLICATION SPEC
 SIZE CASE CODE 00779
 DRAWING NO 207603
 SCALE 2:1 SHEET 1 OF 1

CUSTOMER DRAWING