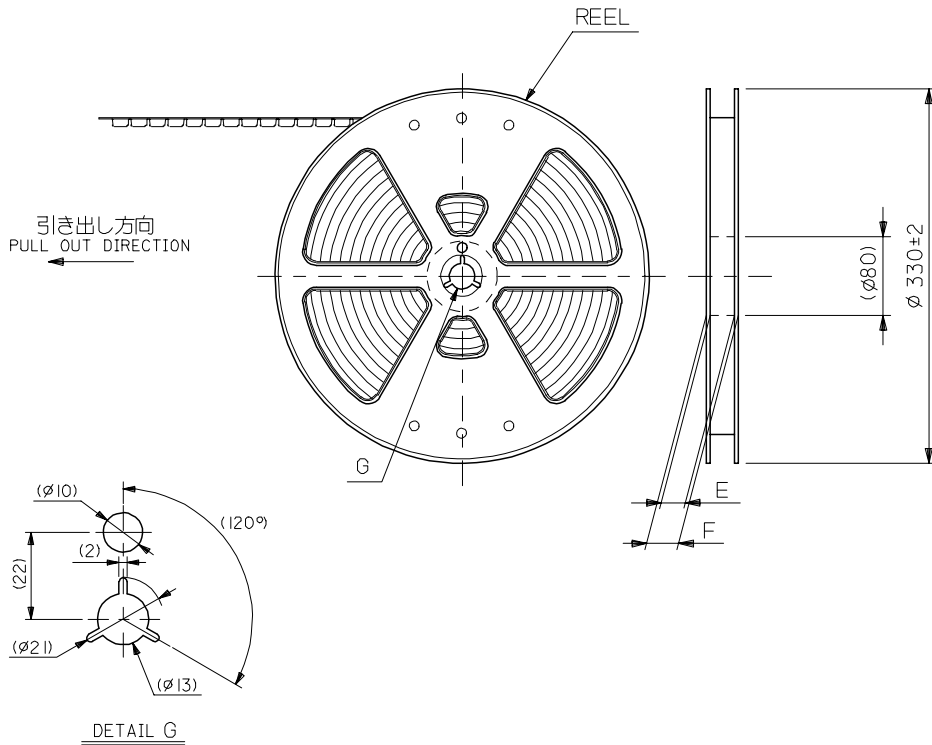


30.5	29.3	25.65	24.5	54104-5033	50
28.5	27.3	23.65	22.5	54104-4633	46
28.0	26.8	23.15	22.0	54104-4533	45
25.5	24.3	20.65	19.5	54104-4033	40
24.5	23.3	19.65	18.5	54104-3833	38
23.5	22.3	18.65	17.5	54104-3633	36
23.0	21.8	18.15	17.0	54104-3533	35
22.5	21.3	17.65	16.5	54104-3433	34
22.0	20.8	17.15	16.0	54104-3333	33
21.5	20.3	16.65	15.5	54104-3233	32
20.5	19.3	15.65	14.5	54104-3033	30
D	C	B	A	オーダー番号 ORDER NO.	CKT.
CONNECTOR SERIES NO. 54104-**22					

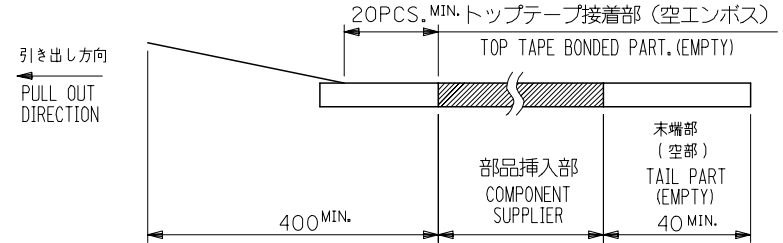
REVISED EC NO: J2014-0096 DRW: AISHII 2013/07/18 CHK: KAKAHASHI 2013/07/18 APPR: YNOGAWA 2013/08/19	GENERAL TOLERANCES (UNLESS SPECIFIED)		DIMENSION STYLE	SCALE	DESIGN UNITS	THIRD ANGLE PROJECTION
	10 UNDER ± ---		MM ONLY	---	METRIC	
	10 OVER 30 UNDER ± ---		ANGULAR ± --- °	DRAWN BY DATE	TITLE	
	30 OVER ± ---		DRAFT WHERE APPLICABLE MUST REMAIN WITHIN DIMENSIONS	KNAGUMO 2012/09/03	0.5MM FPC CONN ZIF R/A HOUSING ASSY (UPPER CONTACT)	
REV	DESCRIPTION		CHECKED BY DATE	molex		DOCUMENT NO.
			KAKAHASHI 2012/09/06	SD-54104-083		SHEET NO.
			APPROVED BY DATE			1 OF 2
			KMORIKAWA 2013/03/15			
			MATERIAL NO.	SEE CHART		
				THIS DRAWING CONTAINS INFORMATION THAT IS PROPRIETARY TO MOLEX INCORPORATED AND SHOULD NOT BE USED WITHOUT WRITTEN PERMISSION		

10 9 8 7 6 5 4 3 2 1



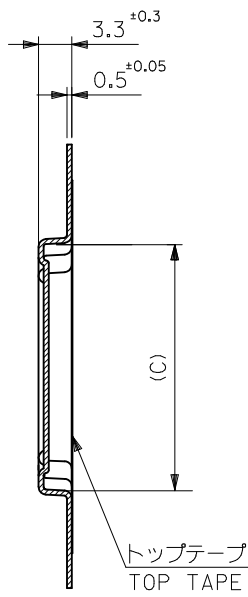
NOTES

1. 梱包数量：1500個/リール
NUMBER OF CONNECTORS : 1500PCS/REEL
2. リードテープ長さ LEAD TAPE LENGTH

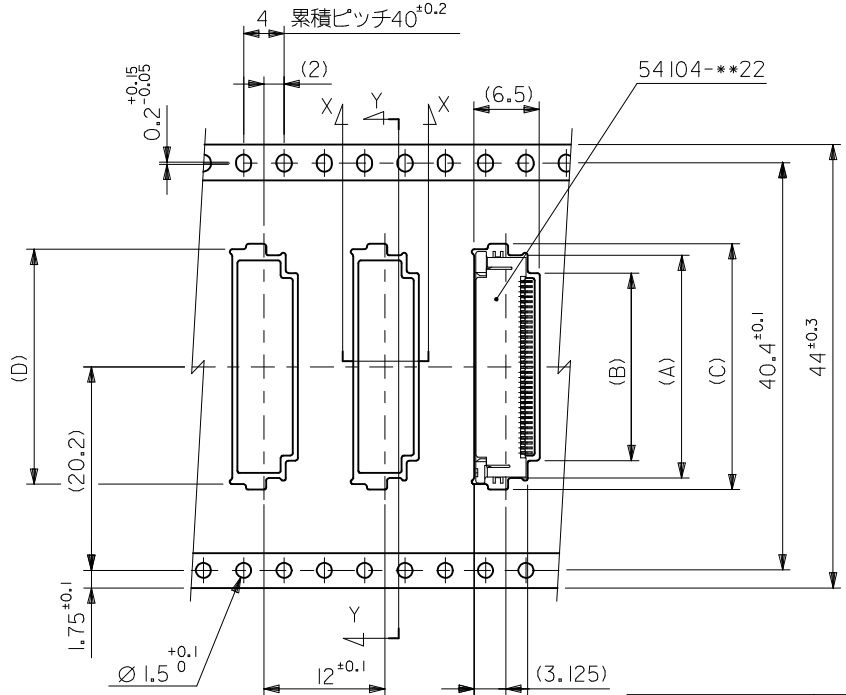


3. 材料 (MATERIAL)
 キャリアテープ (CARRIER TAPE) : ポリプロピレン (POLYPROPYLENE)
 トップテープ (TOPTAPE) : PET , PE , PEF
 リール (REEL) : ポリスチレン (POLYSTYLENE)
4. 本製品は 54104-**-96 のターミナル部分金メッキ品である。

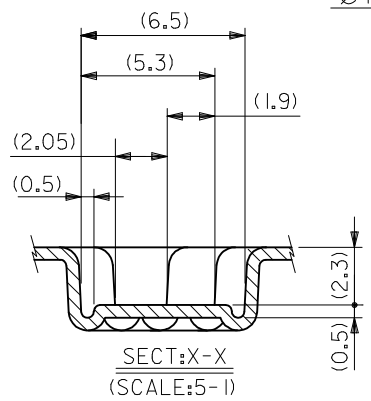
REVISED EC NO: J2007-2009 DRWN: YAMADA01 2007/01/23 CHKD: KTOYODA 2007/01/25 APPR: NUKITA 2007/01/25	GENERAL TOLERANCES (UNLESS SPECIFIED)		DIMENSION STYLE MM ONLY	SCALE 2:1	DESIGN UNITS METRIC	THIRD ANGLE PROJECTION
	10 UNDER	±0.2	DRAWN BY MNABEI	DATE '04/07/09	TITLE EMBOSSD TAPE PACKAGE FOR 54104-**-29 -LEAD FREE-	
	10 OVER 30 UNDER	±0.25	CHECKED BY KTOJO	DATE '04/07/09	MOLEX INCORPORATED	
	30 OVER	±0.3	APPROVED BY NUKITA	DATE '04/07/09		
	ANGULAR	±3 °	MATERIAL NO.	DOCUMENT NO.	SHEET NO.	DRAFT WHERE APPLICABLE MUST REMAIN WITHIN DIMENSIONS SEE CHART SD-54104-078 1 OF 2
SIZE A3	THIS DRAWING CONTAINS INFORMATION THAT IS PROPRIETARY TO MOLEX INCORPORATED AND SHOULD NOT BE USED WITHOUT WRITTEN PERMISSION					



SECT:Y-Y



引き出し方向



SECT:X-X
(SCALE:5-1)

44	45.5	30.8	31.9	26.1	29.6	54104-5033	50	
		28.8	29.9	24.1	27.6	-4633	46	
		28.3	29.4	23.6	27.1	-4533	45	
		25.8	26.9	21.1	24.6	-4033	40	
		24.8	25.9	20.1	23.6	-3833	38	
		23.8	24.9	19.1	22.6	-3633	36	
		23.3	24.4	18.6	22.1	-3533	35	
		22.8	23.9	18.1	21.6	-3433	34	
		22.3	23.4	17.6	21.1	-3333	33	
		21.8	22.9	17.1	20.6	-3233	32	
20.8	21.9	16.1	19.6	54104-3033	30			
キャリアテープ幅 CARRIER TAPE WIDTH		E	D	C	B	A	製品番号 MATERIAL NO.	極数 CKT.

SEE SHEET 1 OF 2 EC NO.: J2013-1003 DRWN:KNAGUMO 2012/09/05 CHKD:KTAKAHASHI 2012/09/06 APPR:KMORIKAWA 2013/03/15	GENERAL TOLERANCES (UNLESS SPECIFIED)		DIMENSION STYLE MM ONLY		SCALE ---	DESIGN UNITS METRIC	THIRD ANGLE PROJECTION
	10 UNDER	± ---	DRAWN BY KNAGUMO	DATE 2012/09/05	TITLE EMBOSS TAPE PACKAGED FOR 0.5MM FPC CONN ZIF R/A HOUSING ASSY		
	10 OVER 30 UNDER	± ---	CHECKED BY KTAKAHASHI	DATE 2012/09/06			
	30 OVER	± ---	APPROVED BY KMORIKAWA	DATE 2013/03/15			
	ANGULAR	± --- °	MATERIAL NO.	SEE CHART	DOCUMENT NO. SD-54104-084	SHEET NO. 2 OF 2	
DRAFT WHERE APPLICABLE MUST REMAIN WITHIN DIMENSIONS		SIZE A3	THIS DRAWING CONTAINS INFORMATION THAT IS PROPRIETARY TO MOLEX INCORPORATED AND SHOULD NOT BE USED WITHOUT WRITTEN PERMISSION				