



ARYT-E, ARYT

Rod End Bearings - Self-Lubricating
3 Piece, High Misalignment, Male & Female



Plating: When specified in materials block, body Cadmium plated all surfaces per AMS-QQ-P-416, Type I, Class 2.

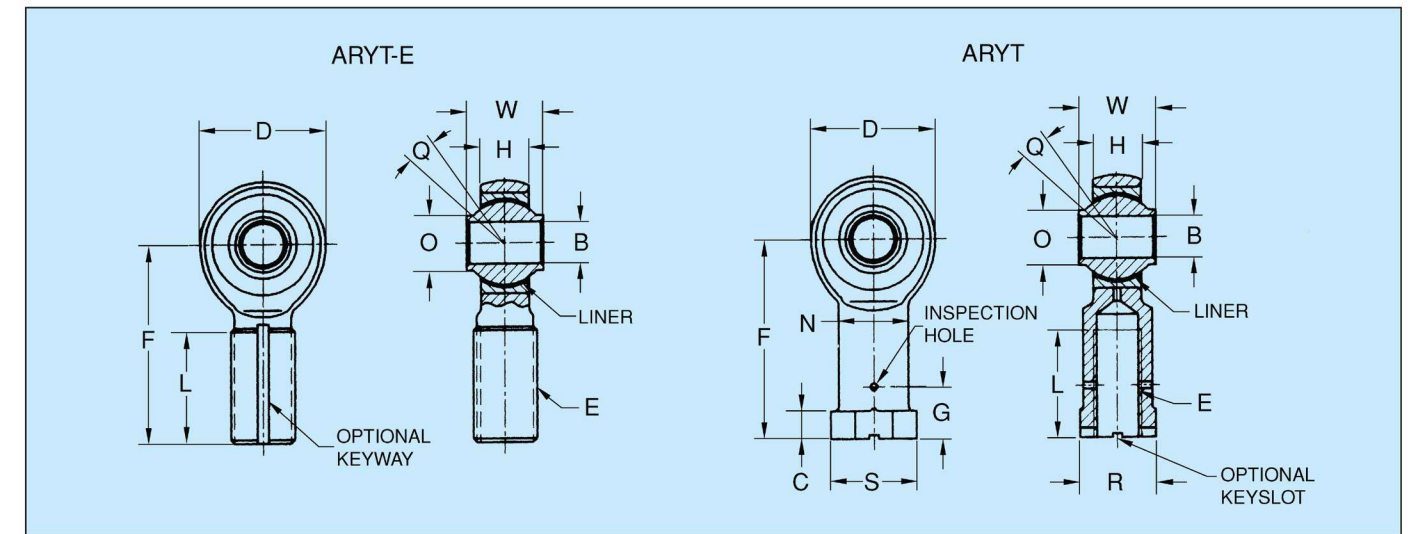
Dimensions: Dimensions apply after plating.

- Option:
- For left hand threads add "L" to prefix. Examples: ARYTL4E or ARYTL4.
 - For keyway or keyslot options, add suffix "W" to part number. Examples: ARYT12JW or ARYT12J.
 - For "J" from threads per MIL-S-8879, add suffix "J" to part number. Examples: ARYT8ECRH or ARYT8CRH.

Notes: UNF-3A = Male Thread, UNF-3B = Female Thread

MATERIALS

Part No.	Ball	Race	Liner	Body
Basic No.	CRES 440C, 55-62 HRC	CRES 410 Heat Treated	*Teflon/Fabric Permanently Bonded to race I.D.	C.M. STL, Heat Treated Cad. Plated
No. + CR	CRES 440C 55-62 HRC	CRES 410 Heat Treated	*Teflon/Fabric Permanently Bonded to race I.D.	CRES 17-4PH, Heat Treated



NMB Part Number	(B) Bore Diameter		(D) Head Diameter		(W) Ball Width		(H) Body Width		(O) Shoulder Diameter		(F) Ball C/L to End		(E) Thread Size		(Q) Misalignment	(L) Thread Length		(N) Shank Diameter		(R) Wrench Flat		(S) Flange Diameter		(C) Flange Thickness		(G) Drill C/L to End		No Load Rotational Breakaway Torque		Limit Static Radial Load		Approx. Weight							
	Inch	mm	Inch	mm	Inch	mm	Inch	mm	Inch	mm	Inch	mm	Inch	mm		Inch	mm	Inch	mm	Inch	mm	Inch	mm	Inch	mm	Inch	mm	Inch	mm	Inch	mm	lbs	N	lbs	kg				
	+0.000	+0.000	+0.010	+0.25	+0.000	+0.00	+0.005	+0.13	Ref.	Ref.	Ref.	Ref.	+0.031	+0.79		UNF-3A		+0.062	+1.57	+0.010	+0.25	+0.002	+0.05	Ref.	Ref.	+0.010	+0.25	Ref.	Ref.	In-lb	N-m	4060	18059	.07	0.032				
ARYT3E ARYT3	.1900	4.826	.750	19.05	.500	12.70	.220	5.59	.319	8.10	.437	11.10	1.500	38.10	5/16-24	13°	1.000	25.40																					
ARYT4E ARYT4	.2500	6.350	1.000	25.40	.593	15.06	.265	6.73	.390	9.91	.593	15.06	1.938	49.22	3/8-24	23°	1.250	31.75																					
ARYT5E ARYT5	.3125	7.938	1.125	28.58	.813	20.65	.355	9.02	.512	13.00	.781	19.84	2.125	53.98	7/16-20	22°	1.375	34.92																					
ARYT6E ARYT6	.3750	9.525	1.125	28.58	.813	20.65	.355	9.02	.512	13.00	.781	19.84	2.125	53.98	7/16-20	22°	1.375	34.92																					
ARYT7E ARYT7	.4375	11.112	1.312	33.32	.875	22.22	.355	9.02	.618	15.70	.875	22.22	2.438	61.93	1/2-20	21°	1.500	38.10																					
ARYT8E ARYT8	.5000	12.700	1.500	38.10	.937	23.80	.411	10.44	.730	18.54	1.000	25.40	2.625	66.68	5/8-18	19°	1.625	41.28																					
ARYT10E ARYT10	.6250	15.875	1.7500	44.45	1.200	30.48	.577	14.66	.856	21.74	1.250	31.75	2.875	73.02	3/4-16	19°	1.750	44.45																					
ARYT12E ARYT12	.7500	19.050	2.000	50.80	1.280	32.51	.630	16.00	.970	24.64	1.375	34.92	3.375	85.72	7/8-14	18°	1.875	47.62																					
ARYT14E ARYT14	.8750	22.225	2.200	55.88	1.400	35.56	.635	16.13	1.140	28.96	1.531	38.89	3.750	95.25	7/8-14	17°	2.000	50.80																					
ARYT16E ARYT16	1.000	25.400	2.750	69.85	1.875	47.62	.845	21.46	1.278	32.46	1.875	47.62	4.125	104.78	1 1/4-12	20°	2.125	53.98																					
ARYT20E ARYT20	1.2500	31.750	3.125	79.38	1.875	47.62	1.015	25.76	1.523	38.68	2.250	57.15	5.000	127.00	1 1/4-12	20°	2.875	73.02																					

* A trade name of E.I. duPont de Nemours & Co., Inc.