



Brand of NTN Group

Technical data

SESFL207N

Bearing units

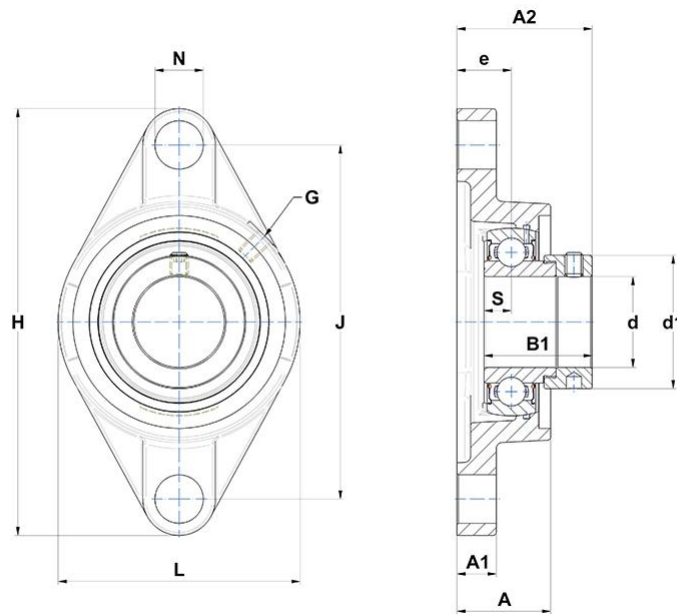


Stainless steel cast housing, stainless steel insert ball bearing with eccentric locking collar, single lip seal, food grease

KIT CONTENT

SES207, SFL207N

VISUAL (S)



PRODUCT DEFINITION

Brand	SNR
A - Housing height	33 mm
A1 - Housing foot height / flange height	15 mm
A2 - Total height from mounting surface	49,4 mm
B - Width of Inner Ring	25,4 mm



NTN Europe

1 rue des Usines · BP 2017 · 74010 Annecy Cedex · France · Tel. +33 (0)4 50 65 30 00
S.A. au capital de 322 639 919 € · RCS ANNECY B 325 821 072 · Id. Fiscale : FR 48 325 821 072
SIRET 325 821 072 00015 · Code APE 2815 Z · Code NACE 28.15

PRODUCT DEFINITION

B1 - Overall width Inner Ring	38,9 mm
d - Shaft diameter	35 mm
d1 - Outer dia of eccent. Lock. collar / nut of adapter sleeve	55,6 mm
e - Distance mounting surface to bearing center	19 mm
G - Grease fitting	M6x1
H - Housing length, width or diameter	156 mm
J - Mounting holes distance	130 mm
L - Housing width / diameter	90 mm
N - Mounting hole dimension	16 mm
S - Distance front side/bearing centre	8,5 mm

PRODUCT PERFORMANCE

C - Dynamic load rating	25600000 mN
C0 - Static load rating	15300000 mN
Operating temperature min.	253,15 °K
Operating temperature max.	373,15 °K

OTHER FEATURES

Mass	1,24 kg
Recommended tightening torque for set screw	8.3 N-m

