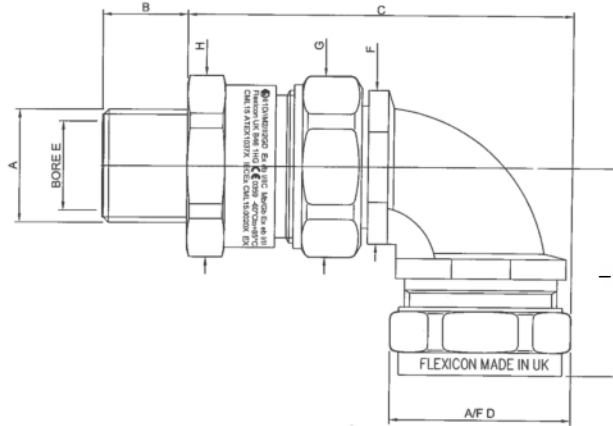


Technical Data Sheet:	DS498/0517
Product Description	90 degree elbow, external thread, nickel plated brass, flameproof barrier gland with swivel female thread for LTP / LTPHC / LTPLFH / LTPUL / LTPSS / LTPPU / LTBRDP / LTBRDLFH conduits.
Product Range	LTP - C90 EXD Swivel Flameproof Barrier Gland (Metric threads)

FLEXICON

FLEXIBLE CONDUIT SOLUTIONS

Roman Way, Coleshill
Birmingham
B46 1HG, United Kingdom
Tel: 00 44 (0)1675 466900
Website: www.flexicon.uk.com



Material:

Nickel Plated Brass with inner Compound Barrier

Colour:

Self colour

IP Rating:

• IP66, IP67, IP68 (5 Bar)

Applications:

For indoor or outdoor use in Zone 1, Zone 2, Zone 21 and Zone 22 Hazardous Areas with all types of cables housed in LTP conduit systems.

Suitable for knockouts or threaded entries. Nickel plated brass fitting comprising of nut, earthing ferrule and nylon compression seal, insulating throat and gland with compound barrier. The compound barrier seals around the cable conductors. The insert is manufactured in machined nickel plated brass to facilitate easy assembly and re-use. Also ensures high mechanical strength and electrical continuity.

Features:

NPT threads and Stainless Steel versions available on request

Temperature Performance:

-60°C to +85°C

Conduit Size	Part No.	Metric Thread	Dimension (mm)							
			A	B	C	D	E	F (A/F)	G (A/F)	H (A/F)
16	LTP16-M20-C90-EXD	M20 x 1.5	15.0	68	26.0	13.0	27.0	24.0	29.0	33.5
20	LTP20-M20-C90-EXD	M20 x 1.5	15.0	68.0	29.0	13.0	27.0	29.0	29.0	34.5
25	LTP25-M25-C90-EXD	M25 x 1.5	15.0	79.0	35.0	17.6	33.0	35.0	33.0	42.5
32	LTP32-M32-C90-EXD	M32 x 1.5	15.0	92.0	42.0	24.0	40.0	42.0	40.0	49.1
40	LTP40-M40-C90-EXD	M40 x 1.5	15.0	108.0	52.0	31.5	50.0	52.0	50.0	59.9

- Group II approvals
- Can be used in zone 1, zone 2, zone 21 and zone 22 Hazardous areas
- ATEX and IECEx Ex d (Flameproof)
- ATEX and IECEx Ex e (Increased Safety)
- ATEX and IECEx Ex ta (Dust Ignition Protection)

Typical Applications;

- On-shore and off-shore petrochemical and refining plants
- Distilleries
- Paint Spraying Plants
- Flourmills
- Woodworking Machine Plants
- Water Industry
- Petrol forecourt environments
- Pharmaceutical industry

Compliance, Approvals & Accreditation;



IEC EN 61386

EN 61386 Classification Available on request

Errors, omissions and amendments excepted. As part of continuing product development Flexicon Ltd reserve the right to alter product specifications without prior notice. Data given is correct at time of compilation. Product specification and application data is for guidance only and does not constitute a warranty of any kind, either expressed or implied for Flexicon products or their suitability for a specific purpose. Third party approvals maybe limited to certain sizes within a product range.

Created by; Sarah Lee - Marketing Assistant	Approved by; Ian Gibson - Technical Director	Date; May 2017	Page Number; Page 1 of 2
---	--	--------------------------	------------------------------------

Technical Data Sheet:	DS498/0517
Product Description	90 degree elbow, external thread, nickel plated brass, flameproof barrier gland with swivel female thread for LTP / LTPHC / LTPLFH / LTPUL / LTPSS / LTPPU / LTBRDP / LTBRDLFH conduits.
Product Range	LTP - C90 EXD Swivel Flameproof Barrier Gland (Metric threads)

FLEXICON
 FLEXIBLE CONDUIT SOLUTIONS
 Roman Way, Coleshill
 Birmingham
 B46 1HG, United Kingdom
 Tel: 00 44 (0)1675 466900
 Website: www.flexicon.uk.com

MADE IN THE UK



 FM58347

- **IP rating - IP66, IP67, IP68 (2 Bar)**

Construction and Materials

• 90° Nickel plated brass compression fitting with nylon compression seal to connect onto Flexicon LTP conduit. Supplied with 2 part compound barrier to pack around the cables - assembly instructions included with every gland, or refer to instructional video on our website (www.flexicon.uk.com). Gloves are included.

- Face sealing washers supplied to ensure IP rating.

Group I	ATEX APPROVAL to EN60079-0 2012 + A11:2013	CML Certificate no:	CML 15ATEX1037X	
	Ex d Flameproof	Ex d I Mb	EN 60079-1 2014	
	Ex e Increased Safety	Ex e I Mb	EN 60079-7 2015	
	IECEx APPROVAL to IEC60079-0 2011	CML Certificate no:	CML 15.0020X	
	Ex d Flameproof	Ex d I Mb	IEC 60079-1 2014-06	
	Ex e Increased Safety	Ex e I Mb	IEC 60079-7 2015	
Group II	ATEX APPROVAL to EN60079-0 2012 + A11:2013	CML Certificate no:	CML 15ATEX1037X	
	Ex d Flameproof	Ex db IIC Gb	EN 60079-1 2014	
	Ex e Increased Safety	Ex eb IIC Gb	EN 60079-7 2015	
	Ex ta Dust Ignition Proof	Ex ta IIIC Da IP6X	IEC 60079-31 2014	
	IECEx APPROVAL to IEC60079-0 2011	CML Certificate no:	CML 15.0020X	
		Ex d Flameproof	Ex db IIC Gb	IEC 60079-1 2014-06
	Ex e Increased Safety	Ex eb IIC Gb	IEC 60079-7 2015	
	Ex ta Dust Ignition Proof	Ex ta IIIC Da IP6X	IEC 60079-31 2013	

Russian Certificate Number
TC RU C-GB.BH02.B.00386

2 part barrier compound included in pack:	
LTP16-M20-C90-EXD	1 x 15g
LTP20-M20-C90-EXD	1 x 15g
LTP25-M25-C90-EXD	1 x 55g
LTP32-M32-C90-EXD	1 x 55g
LTP40-M40-C90-EXD	2 x 55g

Created by: Sarah Lee - Marketing Assistant	Approved by: Ian Gibson - Technical Director	Date: May 2017	Page Number: Page 2 of 2
---	--	--------------------------	------------------------------------