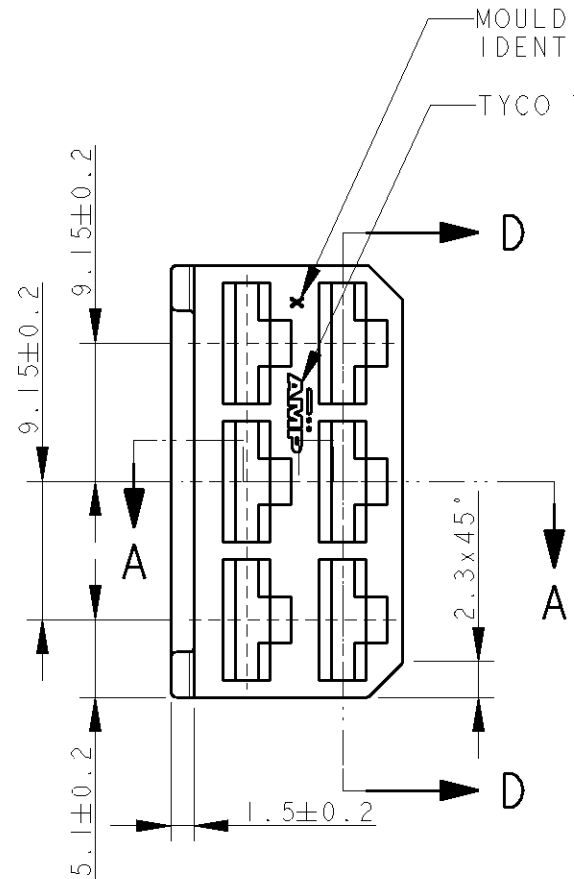
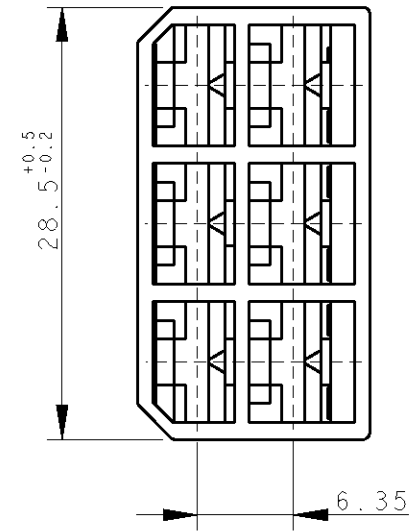
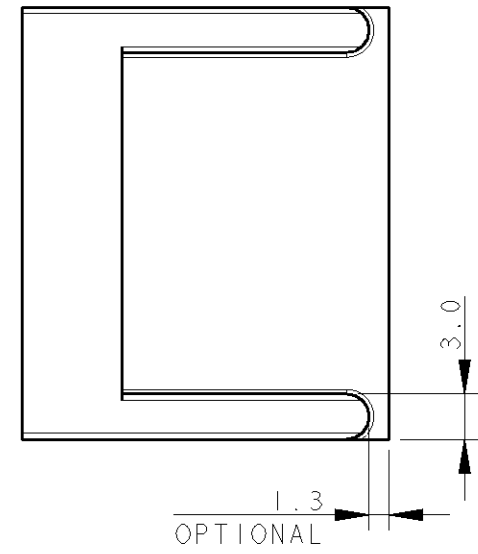
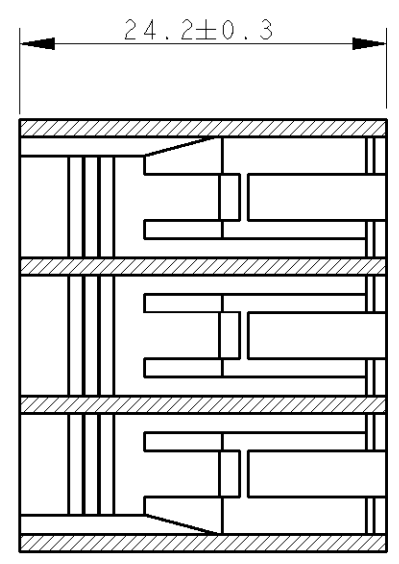


THIS DRAWING IS UNPUBLISHED. RELEASED FOR PUBLICATION 2003  
 © COPYRIGHT 2003 BY TYCO ELECTRONICS CORPORATION. ALL RIGHTS RESERVED.

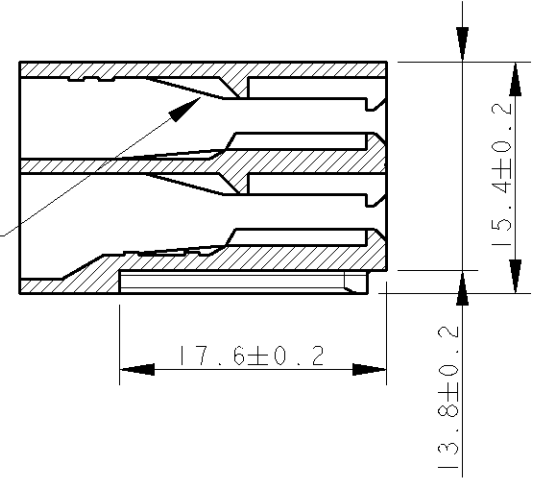
LOC	DIST	REVISIONS					
		P	LTR	DESCRIPTION	DATE	DWN	APVD
1	-		LI	REDRAWN, ET00-0137-04	25 JUN 2004	HY	GT



SECTION D-D

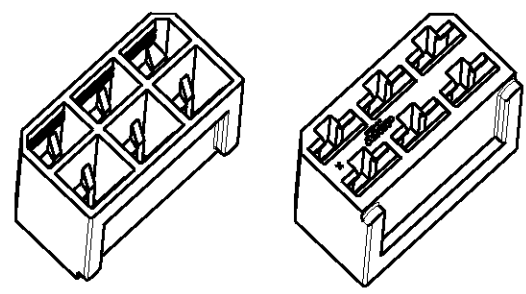


SECTION A-A



- 1 "GLOW WIRE" VERSION.
- 2 SAME AS 0-280314-0 BUT SPECIAL PACKING, ON CARTON BOX, TWO BAG WITH 1000 PIECES ON EACH.

NOTE	COLOUR	MATERIAL	TYCO P/N	REV
2	NATUR	PA6.6 UNFILLED	3-280314-0	
1	NATUR	PA6.6 ZYTEL 135F	0-280314-6	
	BLACK	PA6.6 UNFILLED	0-280314-5	
	RED		0-280314-1	
	NATUR		0-280314-0	



SCALE 1:1

<small>THIS DRAWING IS A CONTROLLED DOCUMENT FOR TYCO ELECTRONICS CORPORATION IT IS SUBJECT TO CHANGE AND THE CONTROLLING ENGINEERING ORGANIZATION SHOULD BE CONTACTED FOR THE LATEST REVISION.</small>		DWN H. YAALI 21 JUN 2004 CHK G. TURCO APVD -	<b>tyco Electronics</b> tyco Electronics AMP Italia S.p.A. C.so F.lli Cervi, 15 COLLEGNO (TO)	
DIMENSIONS: mm 	TOLERANCES UNLESS OTHERWISE SPECIFIED: 0 PLC ± 1 PLC ±0.3 2 PLC ± 3 PLC ± 4 PLC ± ANGLES ±1° FINISH -	PRODUCT SPEC 108-20020 APPLICATION SPEC - WEIGHT -	<b>FASTIN-FASTON™ CONNECTOR, 6.3 mm SRS. RECEPTACLE HOUSING 6 POS., WITHOUT EARS</b>	
MATERIAL SEE TABLE			SIZE A3 CAGE CODE 00779 DRAWING NO C-280314	RESTRICTED TO -
CUSTOMER DRAWING			SCALE 2:1	SHEET 1 OF 1 REV LI