

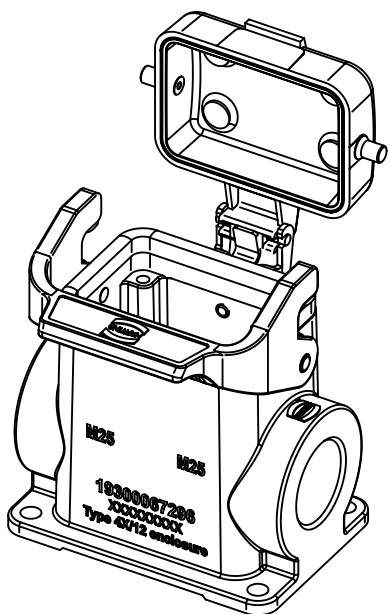
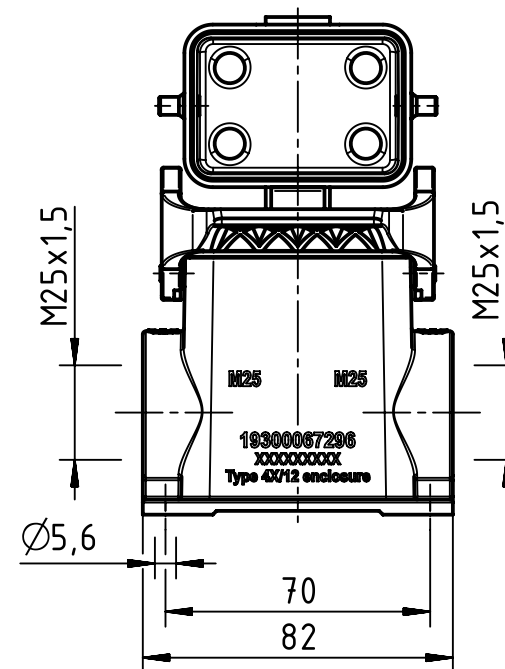
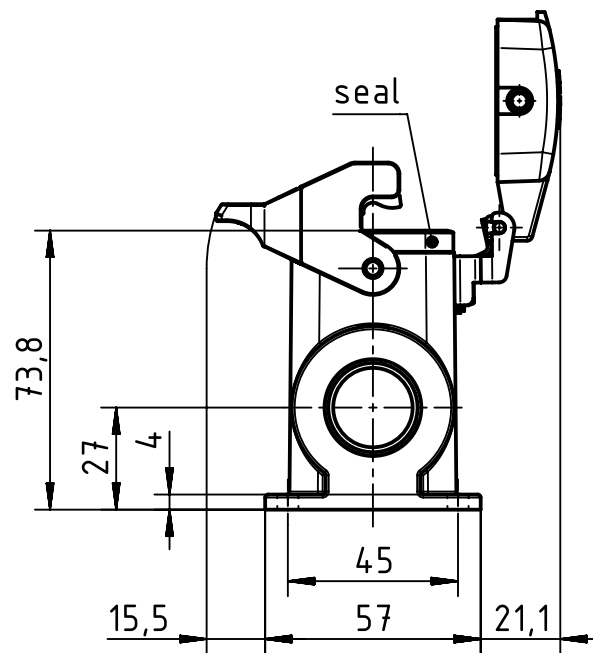
1 2 3 4 5 6

A

B

C

D



	All Dimensions in mm Original Size DIN A4		Scale 1:2	Free size tol.		Ref.		
						Sub.		
	All rights reserved		Created by RULLKOETTER	Inspected by BERGHORN	Standardisation TIEMANNA	Date 2016-04-08	State Final Release	
	Department EL PD - DE		Title Han B Base SM HC 1 Lever Metal Cover M25				Doc-Key / ECM-Nr. 100207215/UGD/004/B 500000101654	
HARTING Electric GmbH & Co. KG D-32339 Espelkamp			Type TB	Number 19 30 006 7296			Rev. B	Page 1/1