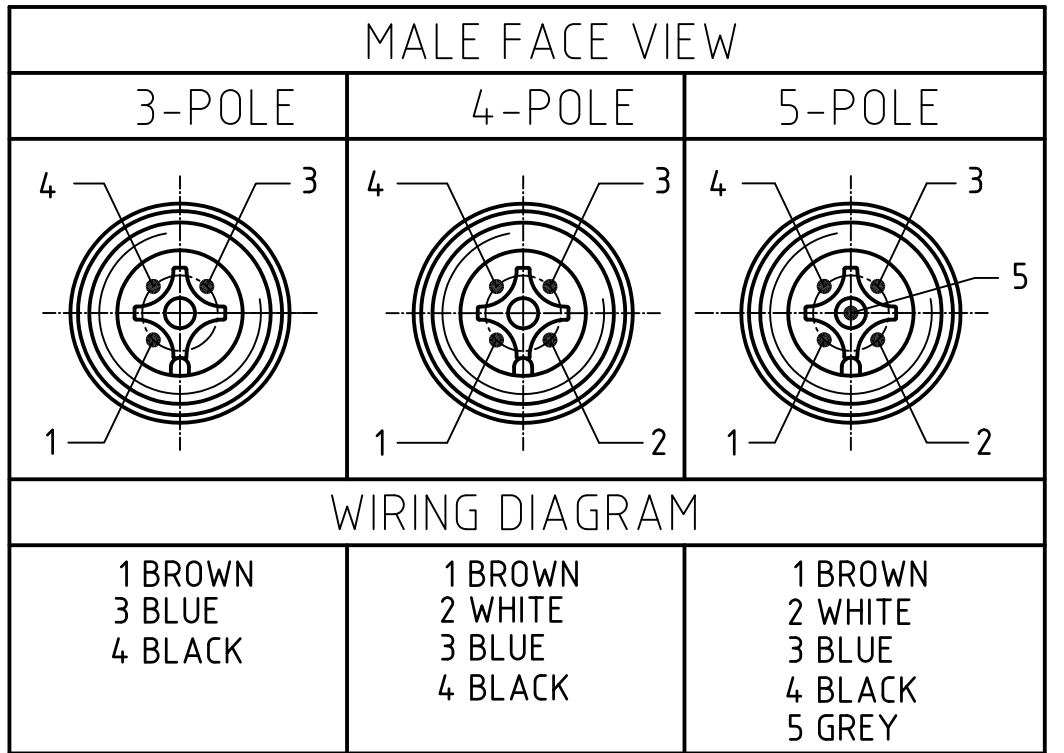


CONNECTOR SPECIFICATION:

VOLTAGE RATING	250 VAC/VDC
AMPERAGE RATING	max. 4 AMPS
PROTECTION	IP67
OPERATING TEMPERATURE	-20°C TO 80°C

ITEM	COMPONENT	MATERIAL	FINISH
6	LABLE	MYLAR	BLACK/YELLOW
5	COUPLER	BRASS	NICKEL PLATED
4	PIN CONTACT	COPPER ALLOY	GOLD OVER NICKEL
3	INSERT	PUR	BLACK
2	OVERMOLD	POLYURETHANE (PUR)	YELLOW
1	CABLE- 22/3-5 (COPPER STRANDING) 3/4/5 CONDUCT. 300V	JACKET: PUR	BLACK



DESCRIPTION EC NO: WEU2010-0284 DRWN: LSTEMMLE 2010/01/20 CHK'D: NS APPR: NSTAUDIG 2010/01/26	QUALITY SYMBOLS ▽ = 0 ▽/C = 0	GENERAL TOLERANCES (UNLESS SPECIFIED) <table border="1"> <tr> <th></th> <th>mm</th> <th>INCH</th> </tr> <tr> <td>4 PLACES</td> <td>±---</td> <td>±---</td> </tr> <tr> <td>3 PLACES</td> <td>±---</td> <td>±---</td> </tr> <tr> <td>2 PLACES</td> <td>±---</td> <td>±.01</td> </tr> <tr> <td>1 PLACE</td> <td>±0.3</td> <td>±---</td> </tr> <tr> <td colspan="3">ANGULAR ± --- °</td> </tr> </table>		mm	INCH	4 PLACES	±---	±---	3 PLACES	±---	±---	2 PLACES	±---	±.01	1 PLACE	±0.3	±---	ANGULAR ± --- °			DIMENSION STYLE IN/MM DRAWN BY: _____ DATE: _____ CHECKED BY: _____ DATE: _____ RE: 2010/01/21 APPROVED BY: _____ DATE: _____ NSTAUDIG 2010/01/25	SCALE 2:1 DESIGN UNITS METRIC THIRD ANGLE PROJECTION
		mm	INCH																			
	4 PLACES	±---	±---																			
	3 PLACES	±---	±---																			
2 PLACES	±---	±.01																				
1 PLACE	±0.3	±---																				
ANGULAR ± --- °																						
DRAFT WHERE APPLICABLE MUST REMAIN WITHIN DIMENSIONS		SEE TABLE SHEET 2	MICRO-CHANGE CORDSET 3/4/5-POL MA STR SE 22/3-5 BLACK PUR CABLE																			
SIZE A3		THIS DRAWING CONTAINS INFORMATION THAT IS PROPRIETARY TO MOLEX INCORPORATED AND SHOULD NOT BE USED WITHOUT WRITTEN PERMISSION		MOLEX INCORPORATED DOCUMENT NO. SD-120065-044 SHEET NO. 1 OF 1																		

POL	MATERIAL NUMBER	ENGINEERING NUMBER	FINISHED LENGTH
3	1200060257	803006P03M020	6.56' +3.5" -0 [2.0M +89 -0]

POL	MATERIAL NUMBER	ENGINEERING NUMBER	FINISHED LENGTH
4	1200060570	804006P03M020	6.56' +3.5" -0 [2.0M +89 -0]
4	1200652141	804006P03M040	13.12' +6.5" -0 [4.0M +165 -0]
4	1200060047	804006P03M050	16.40' +6.5" -0 [5.0M +165 -0]
4	1200652142	804006P03M060	19.69' +6.5" -0 [6.0M +165 -0]
4	1200060572	804006P03M100	32.81' +12.5" -0 [10.0M +318 -0]

POL	MATERIAL NUMBER	ENGINEERING NUMBER	FINISHED LENGTH
5	1200060680	805006P03M020	6.56' +3.5" -0 [2.0M +89 -0]
5	1200652157	805006P03M040	13.12' +6.5" -0 [4.0M +165 -0]
5	1200060682	805006P03M050	16.40' +6.5" -0 [5.0M +165 -0]
5	1200062082	805006P03M060	19.69' +6.5" -0 [6.0M +165 -0]
5	1200652158	805006P03M100	32.81' +12.5" -0 [10.0M +318 -0]

DESCRIPTION EC NO: WEU2010-0284 DRWN: LSTEMMLE 2010/01/20 CH'KD: NS APPR: NSTAUDIG 2010/01/26 1 REV	QUALITY SYMBOLS 	GENERAL TOLERANCES (UNLESS SPECIFIED) <table border="1"> <tr> <td></td> <td>mm</td> <td>INCH</td> </tr> <tr> <td>4 PLACES</td> <td>±---</td> <td>±---</td> </tr> <tr> <td>3 PLACES</td> <td>±---</td> <td>±---</td> </tr> <tr> <td>2 PLACES</td> <td>±---</td> <td>±.01</td> </tr> <tr> <td>1 PLACE</td> <td>±0.3</td> <td>±---</td> </tr> <tr> <td colspan="3">ANGULAR ± --- °</td> </tr> </table>		mm	INCH	4 PLACES	±---	±---	3 PLACES	±---	±---	2 PLACES	±---	±.01	1 PLACE	±0.3	±---	ANGULAR ± --- °			DIMENSION STYLE IN/MM DRAWN BY: _____ DATE: _____ CHECKED BY: _____ DATE: _____ RE: _____ 2010/01/21 APPROVED BY: _____ DATE: _____ NSTAUDIG 2010/01/25	SCALE 2:1 DESIGN UNITS METRIC THIRD ANGLE PROJECTION	MICRO-CHANGE CORDSET 3/4/5-POL MA STR SE 22/3-5 BLACK PUR CABLE MOLEX INCORPORATED DOCUMENT NO. SD-120065-044 SHEET NO. 1 OF 1
		mm	INCH																				
	4 PLACES	±---	±---																				
	3 PLACES	±---	±---																				
	2 PLACES	±---	±.01																				
1 PLACE	±0.3	±---																					
ANGULAR ± --- °																							
DRAFT WHERE APPLICABLE MUST REMAIN WITHIN DIMENSIONS		SEE TABLE	THIS DRAWING CONTAINS INFORMATION THAT IS PROPRIETARY TO MOLEX INCORPORATED AND SHOULD NOT BE USED WITHOUT WRITTEN PERMISSION																				