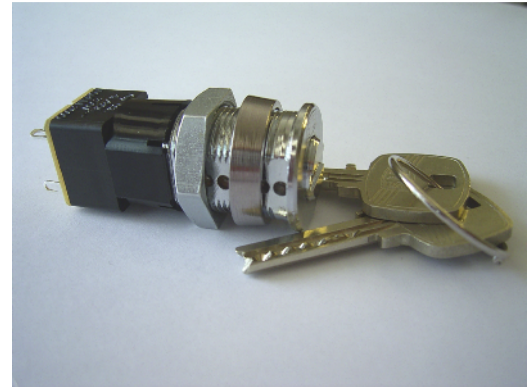


# DSL MAINS LOCK SWITCHES

## GENERAL ELECTRICAL & MECHANICAL SPECIFICATION

Switch Rating:	4/80A @250V ac. R/C
Life:	>10,000 Cycles
Operating Temperature:	-25°C to +85 °C
Proof Voltage:	3kV min. (Initial)
Insulation Resistance:	>999 MΩ at 500Vdc (Initial)
Contact Resistance:	<20 MΩ (Initial)
Flame Retardency:	UL94 V0
Switch contacts:	Silver Cadmium Oxide
Switch Chamber:	Polyester G.F. (PBT) V0 Rated
Tag Panel:	SRBP
Terminals:	Brass CZ108 Ag Plated
Lock Housing:	Brass - Chrome or Nickel Plated
Keys:	Nickel Silver

**RoHS COMPLIANT**



Switch Module approved to EN61058 by DEMKO

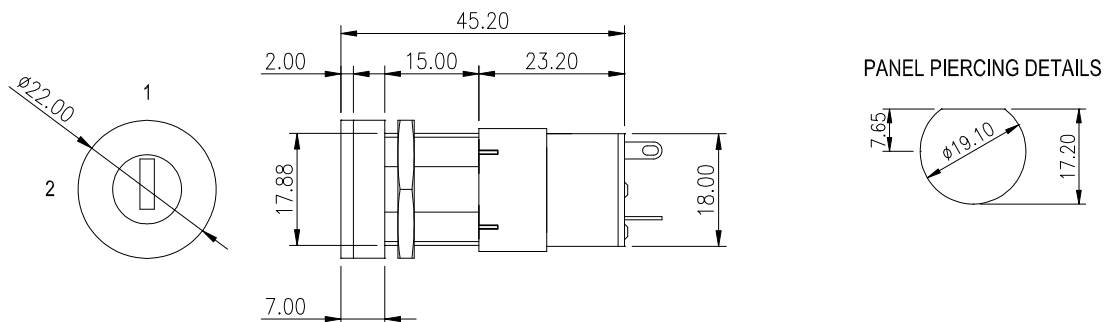
CIRCUITRY	TERMINAL LAYOUT VIEWED FROM REAR OF SWITCH	KEY WITHDRAWAL POSITIONS
2 POLE OFF-ON		
2 POLE ON-OFF (NORMALLY CLOSED)		

## GENERAL FEATURES

- Made in UK.
- Key –operated Lock with dimpled 6 pin lock
- Over 15000 key combinations - keys to differ
- Common keys available – keys to pass
- Two part construction. The lock is inserted into the panel from the front. The mains switch module snaps-on, from the rear of the panel.
- Standard solder terminals (Printed circuit terminals optional – add /P to part number).
- Two keys per lock. Additional keys to order.
- Snap on switch module

DSL-6 ORDER CODES			
SWITCH	KEY	POSITION IN WHICH KEY FREE	ORDER CODES
2 POLE OFF – ON	DIFFERS DIFFERS	0° and 90° (1+4)	DSL-6-A-D
		0° only (1)	DSL-6-B-D
2 POLE OFF –ON	SAME SAME	0° and 90° (1+4)	DSL-6-C-S
		0° only (1)	DSL-6-D-S
2 POLE ON-OFF	DIFFERS DIFFERS	0° and 90° (1+4)	DSL-6-E-D
		0° only (1)	DSL-6-F-D
2 POLE ON-OFF	SAME SAME	0° and 90° (1+4)	DSL-6-G-S
		0° only (1)	DSL-6-H-S

**LOCK TYPE:** BRASS Lock 6 pin – low profile or with decorative panel ring.  
**LOCK MOVEMENT:** 90° Step  
**LOCK COMBINATIONS:** Over 15000 differ or all pass (same key for all locks).  
**KEY TYPE:** Flat, double entry (key can be inserted into the lock either way up).  
**MASTER KEY SYSTEM AVAILABLE:** No  
**MAXIMUM PANEL THICKNESS:** 15mm.  
**ASSEMBLY WEIGHT:** 90 grams



## DSL LOCKSWITCH WITH SNAP-ON MS MODULE