

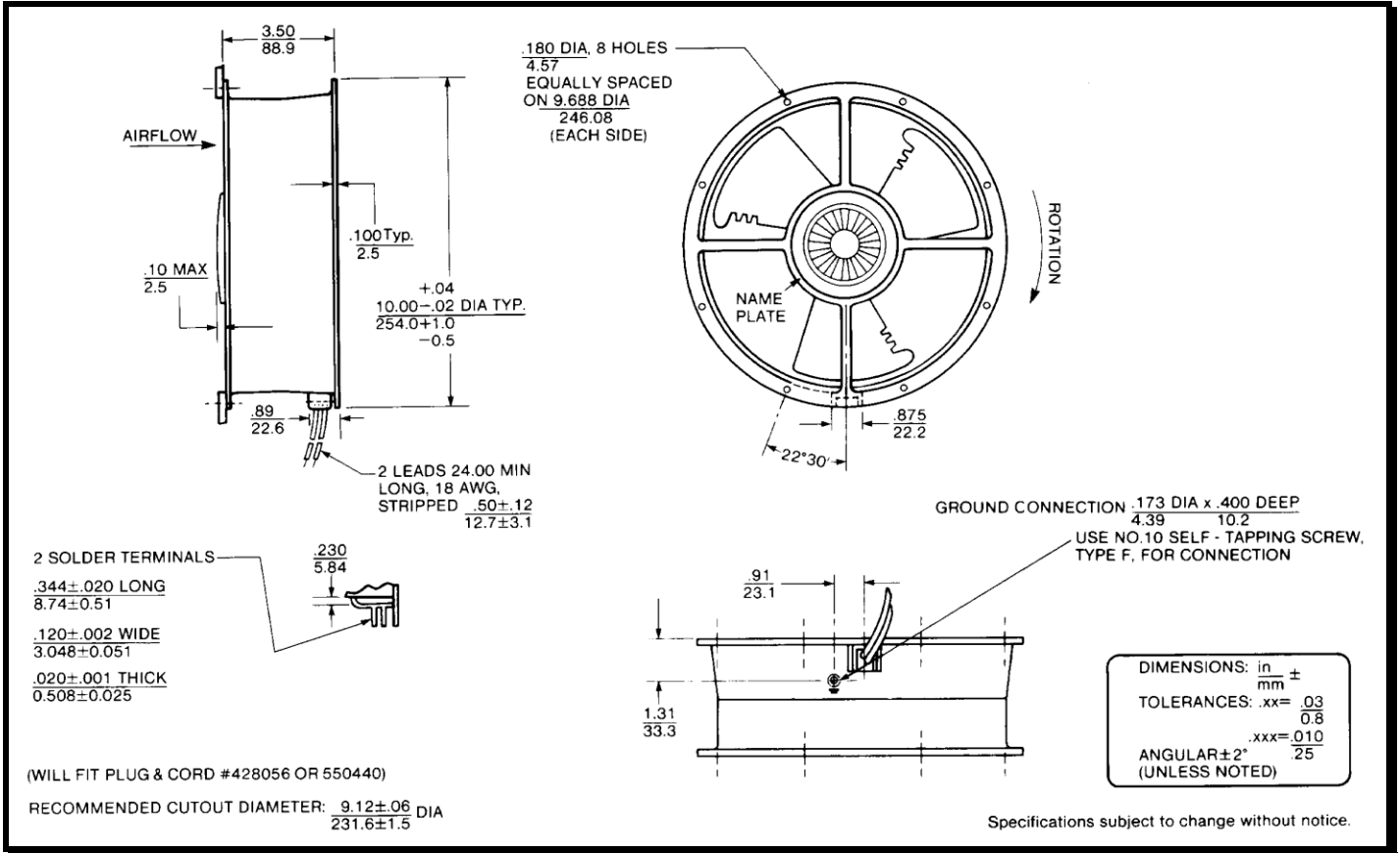
# SPECIFICATIONS



**Model Number:** CLE3L2  
**Part Number:** 19020190A

Apr. 01, 2016

## Mechanical Drawing:



### Motor:

Frequency	= 50/60 Hz
Nominal Voltage	= 220/230 vac
Nominal Running Current	= 0.240 / 0.250 amps
Max. Locked Rotor Current	= 0.355 amps
Running Power	= 34 watts
Average Speed	= 1400/1650 RPM
Bearings	= Ball
Air Flow	= 455/550 CFM
Acoustic:	= 45.4/49.2 dBA

### Construction:

Venturi: Aluminum, Black  
 Propeller: Plastic, Black, UL 94V-0

### Life Expectancy:

This fan is designed for continuous duty life of 54,000 hours at 40°C.

### Additional Features:

Permanent Split Capacitor  
 Class B Insulation  
 Operating Temperature: -30°C to 60°C  
 Storage Temperature: -40°C to 85°C  
 Automatic Restart Thermal Protector

### Termination:

24" Lead wires, 18 AWG

### Agency Approvals:

UL, CE