



Electrical features

| | | |
|--|----|------|
| Number of poles | | 1 |
| Rated insulation voltage Ui | V | 1000 |
| IEC Conventional free air thermal current Ith ≤ 40°C | A | 335 |
| Conventional free air thermal current Ith UL/CSA | A | 335 |
| Rated peak withstand current Ipk | kA | 51 |
| Rated short time current Icw 1s | kA | 24.5 |
| Short circuit rating (UL) | kA | 10 |

Connections

| | | |
|--|------------------------|-----------------------------|
| Terminal hole diameter_Option 1 | mm | 1x19.8mm |
| Conductor section connectable_Option 1 | mm ² AWG | 95...185 3/0...400 Kcmil |
| Tightening torque Max_Option 1 | Nm lbin | 25 221 |
| Terminal hole diameter_Option 2 | mm | 2x9.5mm |
| Conductor section connectable_Option 2 | mm ² AWG | 6...35 14...1 |
| Tightening torque Max_Option 2 | Nm lbin | 4.4 39 |
| Terminal hole diameter_Option 3 | mm | 5x7.5mm |
| Conductor section connectable_Option 3 | mm ² AWG | 2.5...16 14...4 |
| Tightening torque Max_Option 3 | Nm lbin | 2.7 24 |
| Terminal hole diameter_Option 4 | mm | 4x6mm |
| Conductor section connectable_Option 4 | mm ² AWG | 2.5...10 14...6 |
| Tightening torque Max_Option 4 | Nm lbin | 2.7 24 |

Mechanical features

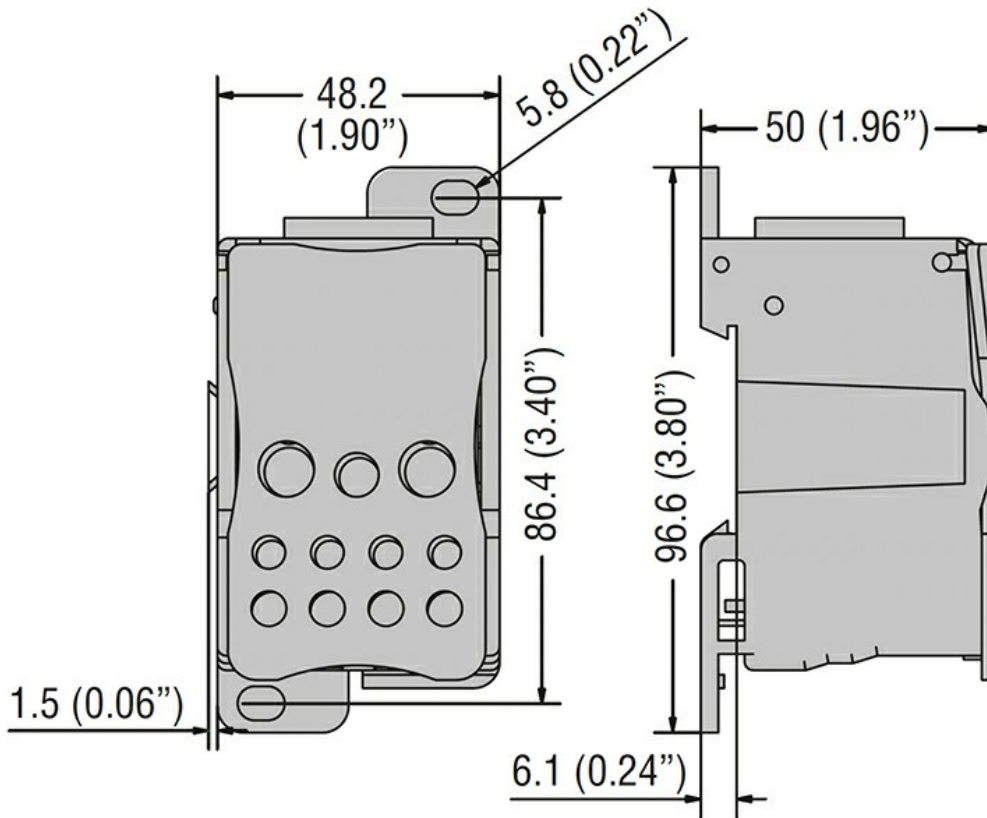
| | | |
|--------------------|---------------------|--------------------------|
| Operating position | normal allowable | Vertical plane Any |
| Fixing | | Screw / DIN rail 35mm |
| Metric Allen Key | mm | 3-4-5-10 |
| Weight | g | 405 |

Resistance & Protection

Terminals IP degree

IP20 front

Dimensions



Certifications and compliance

Certifications

IEC/EN/BS 60947-7-1

Compliance

cURus

ETIM classification

EC000066 - Power contactor, AC switching