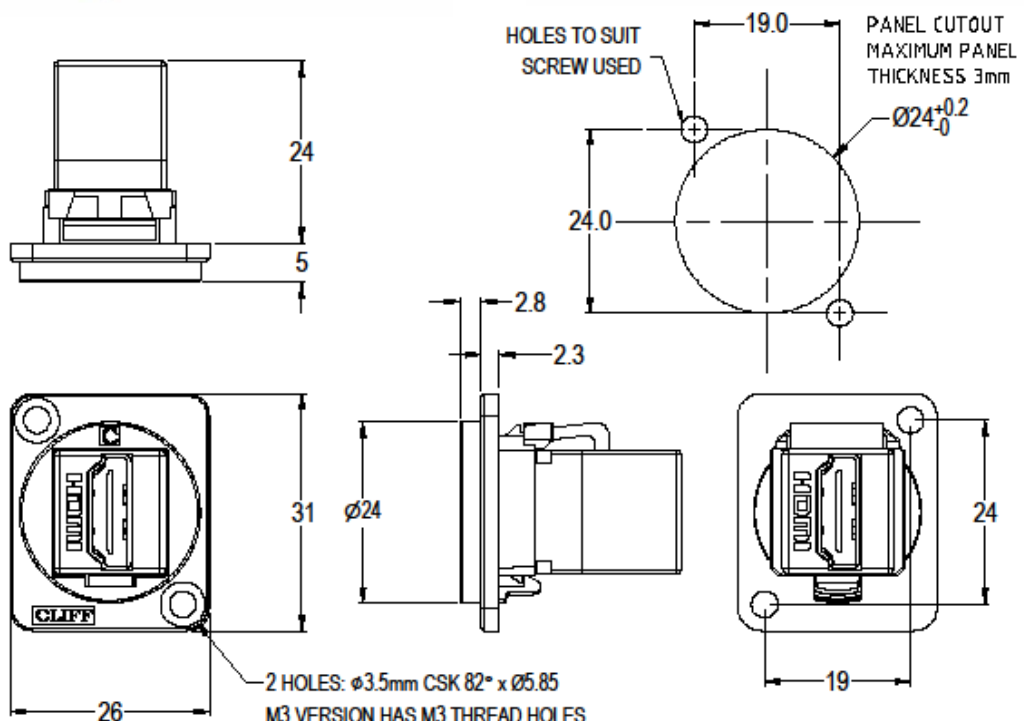


Datasheet

RS PRO HDMI METAL M3 FEEDTHROUGH CONNECTOR

Stock No: 2035566, 2035565



Material:

- 1.Insert: ABS UL94 HB
- 2.Frame: Diecast, Black or Nickel
- 3.Shell: Gold plated
- 4.Contacts: Gold Plated

Features & Benefits:

- Fits standard XLR Ø24mm cutout.
- No soldering or punch termination. Use standard cable for each connector style.
- Front or rear mounted.
- Low rear profile

General:

Please note: Functionality is affected by cable quality, length and cable wiring configuration.

Other models available:

Part No.

8741188 HDMI A-A Black plastic frame, CSK holes

8741232 HDMI A-A Black plastic frame, PLAIN holes



rspro.com

