

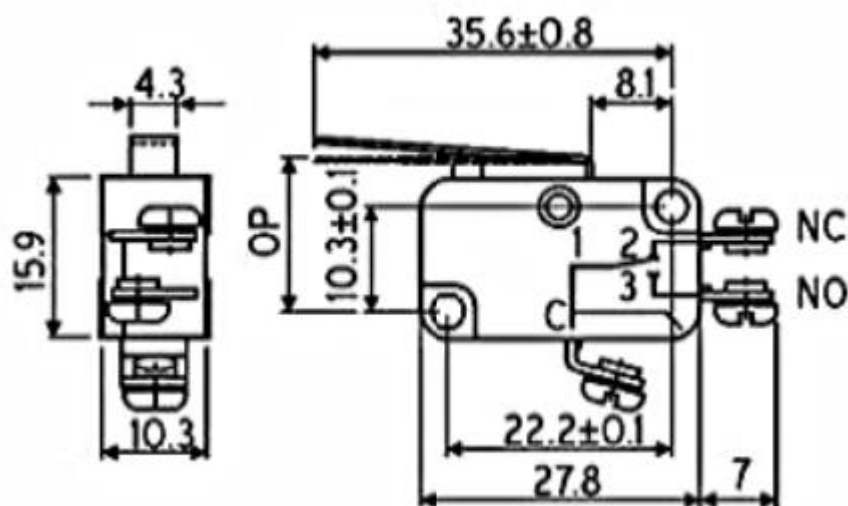
Datasheet

SPDT Long Roller Lever Microswitch, 0.1 A@ 110 V dc, 0.6 A@ 110 V dc, 16 A@ 250 V ac

RS Stock number 804-6206



Dimensions: (mm)



Characteristics

| | |
|-----------------------|--------------|
| Pre – travel | 4.0 mm (max) |
| Over – travel | 1.6 mm |
| Movement differential | 1.5 mm (max) |
| Operation Position | 20.7 ± 1.6mm |

Technical Data

| | |
|-----------------------|---|
| Contact resistance | 15 milliohms (max) |
| Insulation resistance | 100 megaohms (min) at 500VDC |
| Voltage proof | 1500 VAC between each terminal and 1000 VAC between open contacts |
| Electrical life | 100,000 operations |
| Mechanical life | 10,000,000 |

Electrical Rating

| Load | Rating |
|------|-------------------------------------|
| AC | 16Amp at 250V 5Amp at 440V |
| DC | 0.6Amp at 110V 0.03 A at 220V |
| DC | 0.1 Amp at 110V 0.05 Amp at 220V |