

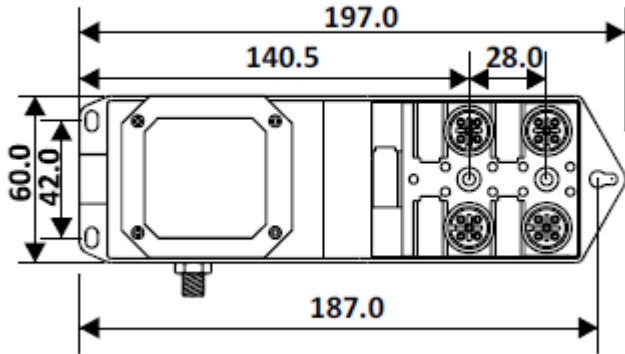
Datasheet

Junction Box

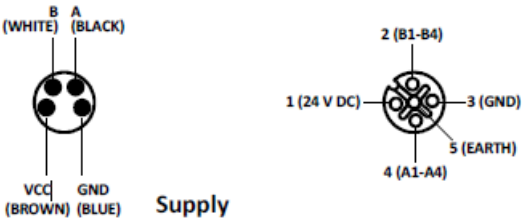
RS Stock 877-1236



Dimensions: (mm)



Connection Diagram





Specifications

Electrical

| | |
|---------------------|-------------------------|
| Supply | 24 V DC \pm 10% |
| Operating Voltage | 10 ... 30 V DC |
| Rated Current | Max. 20 mA per Port |
| Total Rated Current | Max. 350 mA |
| Connection | M08 Male Socket |
| I/Os Connection | M12, 5pin Female Socket |
| Port | 4 |

Mechanical Characteristics

| | |
|---------------------------|-----------------|
| Housing Material | PBT Plastic |
| Material of Moulding Mass | Nylon 66 |
| Contact Carrier Material | Nylon 66 |
| Contact Material | Brass-Ni Plated |
| Contact Surface Material | Gold Plated |
| Material O-Ring | Neoprene |
| Protection | IP55 |

Environment Limits

| | |
|-----------------------|------------|
| Operating Temperature | 0 ... 55°C |
| Storage Temperature | 0 ... 70°C |

Indications

| | |
|------------|------------|
| Yellow LED | Power |
| Red LEDs | NC I/O (B) |
| Green LEDs | NO I/O (A) |

MODBUS Communication

| | |
|------------------------|--------|
| Protocol | MODBUS |
| Data Baud Rate | 19200 |
| Slave Address | 01 |
| Function Code | 03 |
| Quantity of Register | 01 |
| Communication Topology | RS485 |