



Brand of NTN Group

Technical data

MUCPPL208

Bearing units

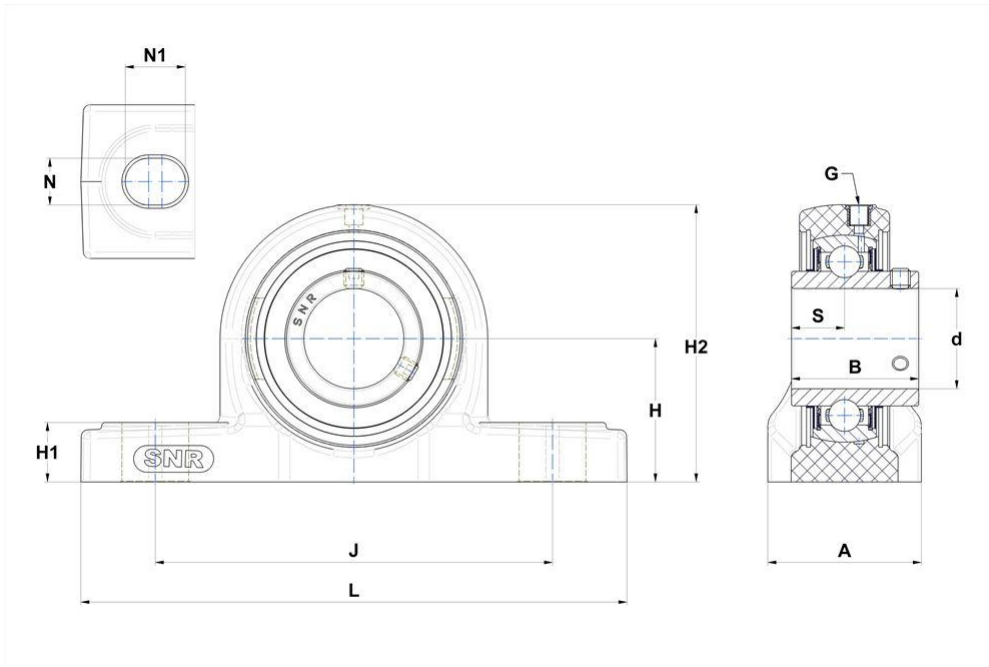


Thermoplastic housing, stainless steel insert ball bearing with socket set screws, seal with slinger, food grease

KIT CONTENT

MUC208FD, PPL208

VISUAL (S)



PRODUCT DEFINITION

Brand	SNR
A - Housing width	54 mm
A1 - Housing top width	36 mm
B - Width of Inner Ring	49,2 mm
d - Shaft diameter	40 mm



NTN Europe

1 rue des Usines · BP 2017 · 74010 Annecy Cedex · France · Tel. +33 (0)4 50 65 30 00
S.A. au capital de 322 639 919 € · RCS ANNECY B 325 821 072 · Id. Fiscale : FR 48 325 821 072
SIRET 325 821 072 00015 · Code APE 2815 Z · Code NACE 28.15

PRODUCT DEFINITION

G - Grease fitting	1/4-28 UNF
H - Distance mounting base to centerline spheric. seating diam.	49,2 mm
H1 - Housing foot height	19,5 mm
H2 - Housing height	98 mm
J - Mounting holes distance	137 mm
L - Housing length	184 mm
N - Mounting hole dimension	14 mm
N1 - Mounting hole length	18 mm
S - Distance front side/bearing centre	19 mm

PRODUCT PERFORMANCE

C - Dynamic load rating	24900000 mN
C0 - Static load rating	14300000 mN
Operating temperature min.	253,15 °K
Operating temperature max.	373,15 °K

OTHER FEATURES

Mass	0,95 kg
Recommended tightening torque for set screw	8.3 N-m

