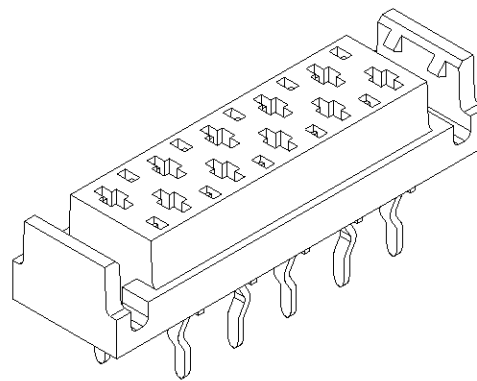
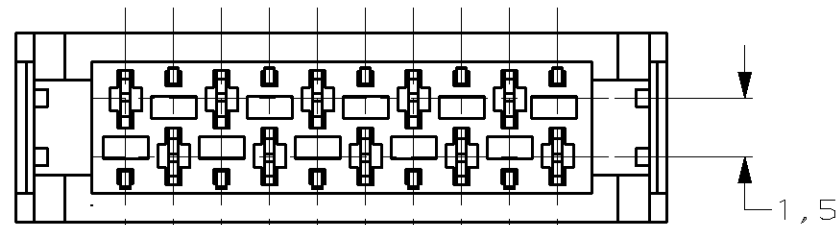
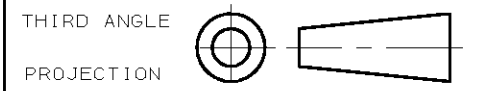


NOTES:

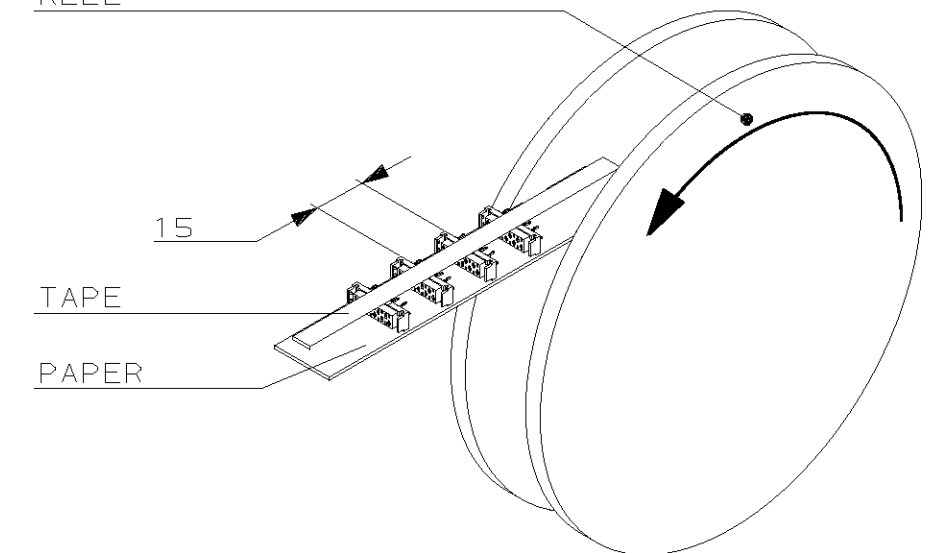
- 1 DIRECTION OF KINK OPTIONAL.
- 2 PRODUCT SPECIFICATION: 108-19052

DO NOT SCALE
DIMENSIONS IN mm

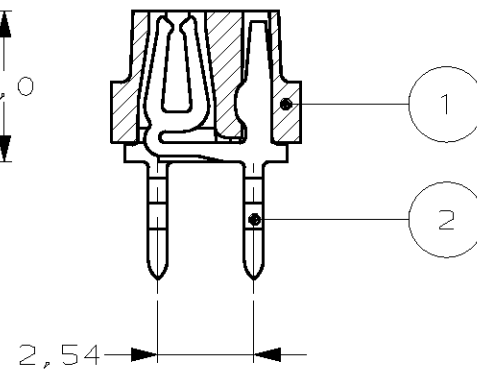
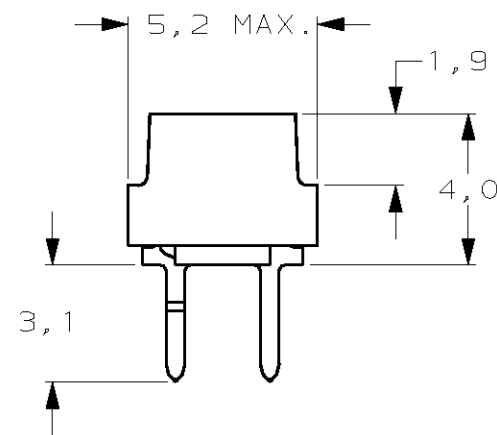
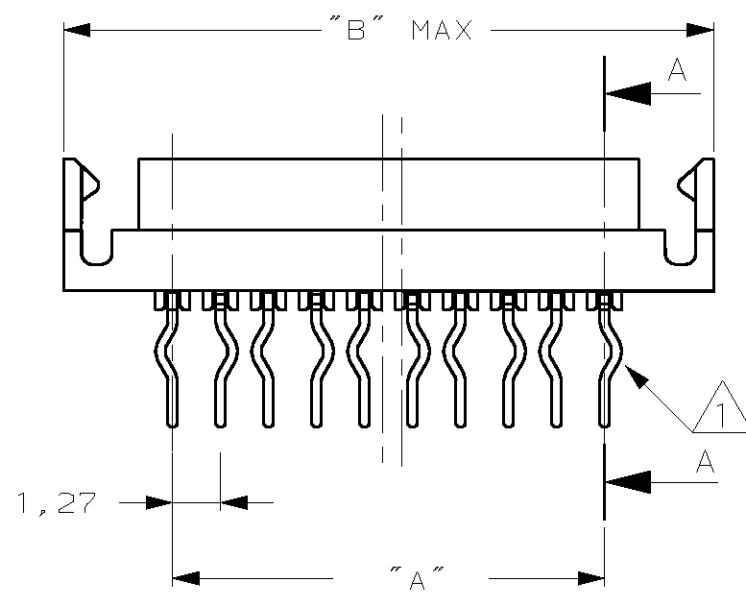
METRIC



DEREELING DIRECTION AND POSITION OF CONNECTORS
REEL

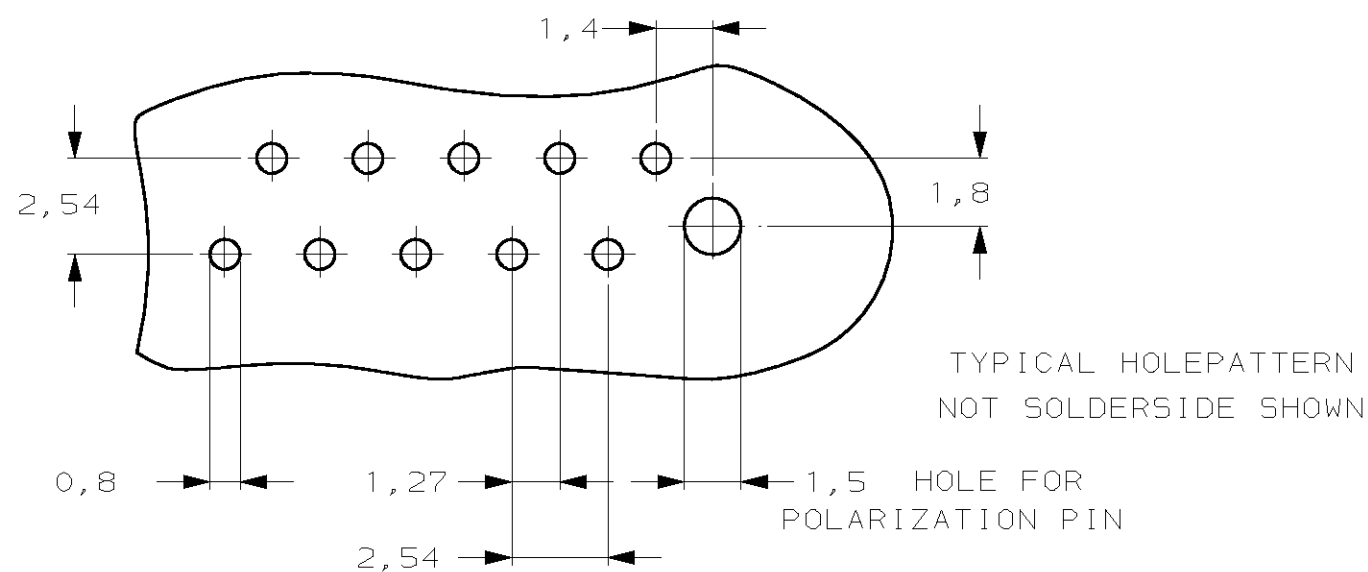


2500 CONNECTORS PER REEL FOR ALL PARTNUMBERS



SECTION A-A

PARTNUMBER REEL PACKAGING	NUMBER OF POSITIONS	"A"	"B" MAX
0-338068-4	4	3,81	9,7
0-338068-6	6	6,35	12,2
0-338068-8	8	8,89	14,7
1-338068-0	10	11,43	17,3
1-338068-2	12	13,97	19,8
1-338068-4	14	16,51	22,4
1-338068-6	16	19,05	24,9
1-338068-8	18	21,59	27,4
2-338068-0	20	24,13	30,0



TIN OVER NICKEL PLATING.	PHOSPHORBRONZE	FEMALE CONTACT	2
	GLASS FILLED POLYESTER (RED)	HOUSING	1
FINISH	MATERIAL	DESCRIPTION	ITEM

CUSTOMER DRAWING				FOR REFERENCE ONLY WILL NOT BE UPDATED	
© COPYRIGHT 19- BY AMP HOLLAND B.V.				ALL INTERNATIONAL RIGHTS RESERVED. AMP PRODUCTS MAY BE COVERED BY U.S. AND FOREIGN AND/OR PATENTS PENDING.	
THIS DRAWING IS UNPUBLISHED				RELEASED FOR PUBLICATION	
AMP				AMP HOLLAND B.V. 's-Hertogenbosch, The Netherlands.	
NAME				MICROMATCH FEMALE TOP ENTRY WITH LOCKING	
LTR.	REVISION RECORD	DR.	CHK.	DATE	

DR.: D. KESSLER	CHK.: H.v. DELFT	APP.: E. LEIJTENS	DWG.No.	REV.LTR.	SHEET
DATE: 03 JUN 96	DATE: 13 JUN 96	DATE: -	C-338068	D	1 OF 1