

**PLEASE CHECK WWW.MOLEX.COM FOR LATEST PART INFORMATION**

**Part Number:** [0747360220](#)  
**Status:** **Active**  
**Overview:** [XFP Cage](#)  
**Description:** XFP Cage Assembly, 10 Gigabit Small Form Factor Pluggable Compatible, without Heat Sink or Clip, Elastomer EMI Gasket, Press-Fit Pins

**Documents:**

[3D Model](#) [Packaging Specification PK-74736-008 \(PDF\)](#)  
[Drawing \(PDF\)](#) [RoHS Certificate of Compliance \(PDF\)](#)  
[Application Specification AS-74736-0001-001 \(PDF\)](#)

**General**

Product Family	EMI Cages
Series	<a href="#">74736</a>
Application	Module-to-Board
Application Tooling Part Link	62203-0070
Application Tooling Part Link	62203-0080
Component Type	Cage Assembly
Overview	<a href="#">XFP Cage</a>
Product Name	XFP
UPC	822348466924

**Physical**

EMI Panel / Bezel Mount	Elastomer Gasket
Light Pipes per Port	0
Material - Metal	Copper Alloy
Net Weight	8.000/g
Orientation	Horizontal
Packaging Type	Tray
Port Configuration	1x1
Rear Legs	0
Termination Interface: Style	Through Hole - Compliant Pin
Thermal Height	N/A
Thermal Solutions	Open Top

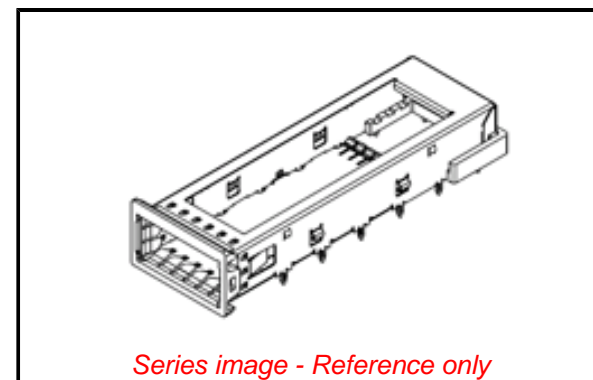
**Solder Process Data**

Lead-freeProcess Capability	N/A
-----------------------------	-----

**Material Info**

**Reference - Drawing Numbers**

Application Specification	AS-74736-0001-001
Packaging Specification	PK-74736-008
Sales Drawing	SD-74736-220



**EU ELV**

**Compliant**

**EU RoHS**

**Compliant**

**REACH SVHC**

Not Contained Per -  
ED/61/2018 (27 June  
2018)

**Halogen-Free**

**Status**

**Low-Halogen**

**Need more information on product  
environmental compliance?**

Email [productcompliance@molex.com](mailto:productcompliance@molex.com)  
Please visit the [Contact Us](#) section for any  
non-product compliance questions.

China ROHS	Green Image
ELV	Compliant
RoHS Phthalates	Not Contained

**Search Parts in this Series**

[74736 Series](#)

**Use With**

[74441-0017 XFP Connector](#)