



## User Manual

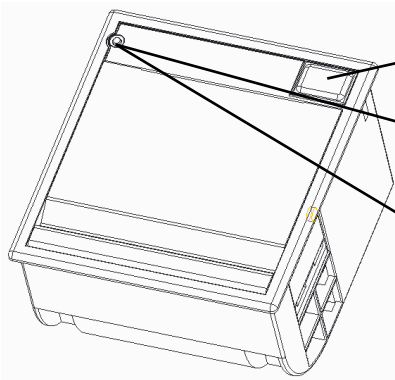
### RS PRO High Speed Thermal Panel Printer

Stock number: 178-5734

EN



# Front Plate



Open door button

Status Indicator:

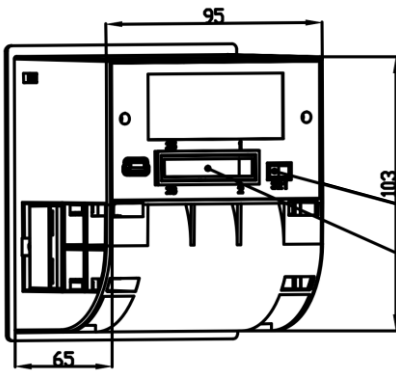
Indicator on: printer has been switched on.

Indicator flashing. Printer error.

Indicator off: printer has been switched off.

LF: button: Hold down the FEED button, paper feeding begins; Release the FEED button, paper feeding stops.

# Dimension details



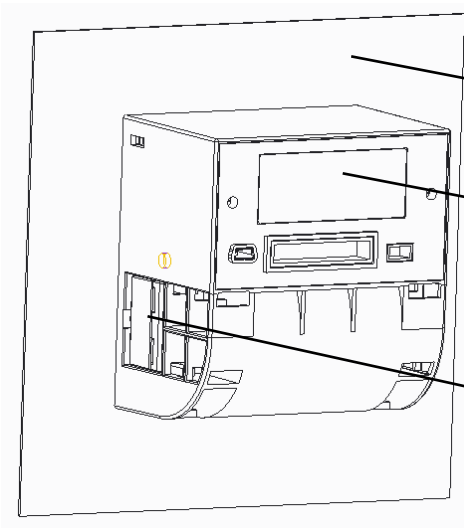
Panel cut-out size:  $103^{+0.5}_0 * 95.5^{+0.5}_0$

Power socket

Communication interface

# Installation procedure

①

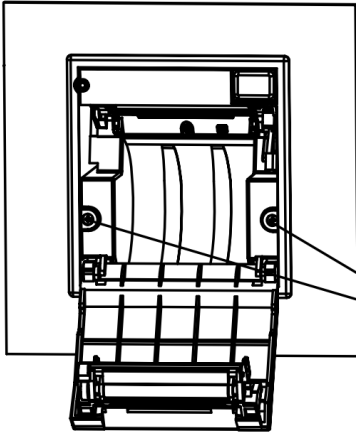


Equipment Panel

Printer

Clip fastening

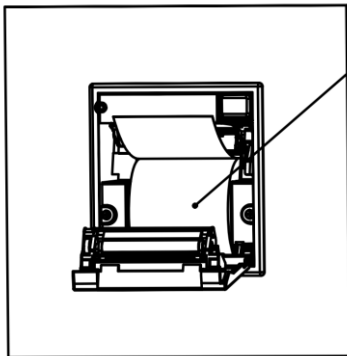
②



Step 2:  
Open paper case cover and tighten screws bolt of clip fastening.

Tighten the screws.

## Paper Installation



Paper roll

Hold down OPEN button to open the door panel, insert the paper roll ensuring that the paper feeds correctly then close the door.



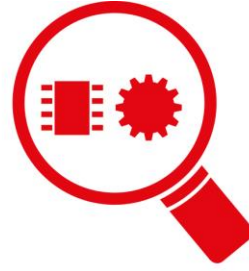
Warning:

When closing the paper case cover do not force it shut. The correct operation as is follows: First, close the paper case cover gently until it's touching the printer housing, then press the paper case cover to make it to lock with printer head.



## AUDITED

In compliance with industry standards



## INSPECTED

For guaranteed quality and performance



## TESTED

By leading engineers

