

Stanilite®

Signature batten LED weatherproof - 4 foot



Range

Signature range

Product group

Batten LED



Features

AC/EM unit



- 3 year warranty
- Typically 4,500 lumens on mains AC operation, 350 lumens in emergency operation



- Weatherproof rating IP65
- IK08 impact rating
- Ceiling, wall mount or suspension mounting (wall mount requires optional 45° mounting brackets)
- Higher wall mount classification using optional wall mount brackets



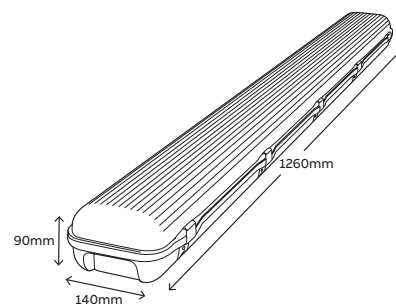
- Long LED life 75,000 hours
- Colour temperature 4,000K
- High colour rendering index CRI>80
- Mains terminal block accepts up to 2.5mm² cable
- High temperature NiCad battery for longer life
- External mounting clips for ease of installation
- Stainless steel diffuser clips
- High efficiency frosted polycarbonate diffuser
- Ambient operating temperature; AC -20°C to +40°C and EM +4°C to +40°C



Motion detect option

- Microwave motion detect sensor with settings for delay time, detection range and light value function
- Luminaire is not switched on if there is adequate ambient illumination in the area sensed
- Energy-efficient and cost-effective operation thanks to “corridor function” which dims the light to only 10% output with no movements detected and increase the light back to 100% when presence is detected
- Maximum installation height 5m; variable 0.5 - 5.0m

Catalogue no.	Description
Standard products	
SBLWAC45L	Signature batten LED weatherproof AC 4500 lumens
SBLWAC45LMD	Signature batten LED weatherproof AC 4500 lumens with motion detect sensor
SBLWEM45LM	Signature batten LED weatherproof EM 4500 lumens maintained
SBLWEM45LMMD	Signature batten LED weatherproof EM 4500 lumens maintained with motion detect sensor
Accessories	
26-SSCSBLW	Stainless steel clips
26-SSSCSBLW	Stainless steel suspension clip
21-PCCSBLW	Polycarbonate clips
26-PBMD001	Wall mount bracket pair 45°
Spare parts	
03-01016P	Battery 3 cell NiCad 3.6V 4.5Ah



Dimensions			
	Length	Width	Bare height
	1260mm	140mm	90mm
Weight			
Model	Weight		
AC	2.9kg		
EM	3.2kg		
Construction			
Part	Construction		
Reflector	Powder coated steel		
Body and diffuser	Polycarbonate		
Clips	Stainless steel		

Light source	
Model	Light source
AC/EM	LED strips

Power consumption			
Model	Normal	S/A off	Standby
AC	48W	0W	N/A
AC motion detect	48W	0W	6W
EM	49W	1W	N/A
EM motion detect	49W	1W	7W

Note: Preliminary results

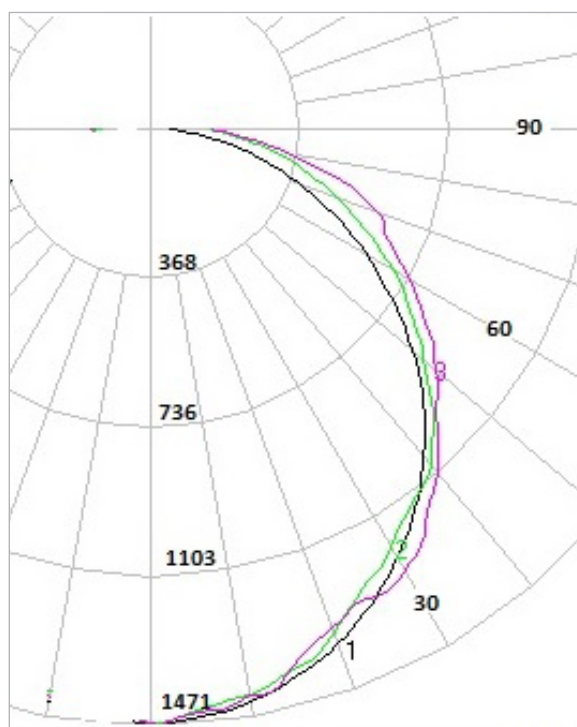
Photometrics		
Model	Class	Classification
EM ceiling mount	C0	D40
	C90	D50
EM wall mount 45°	C0	D80
	C90	D80

Note: Preliminary results

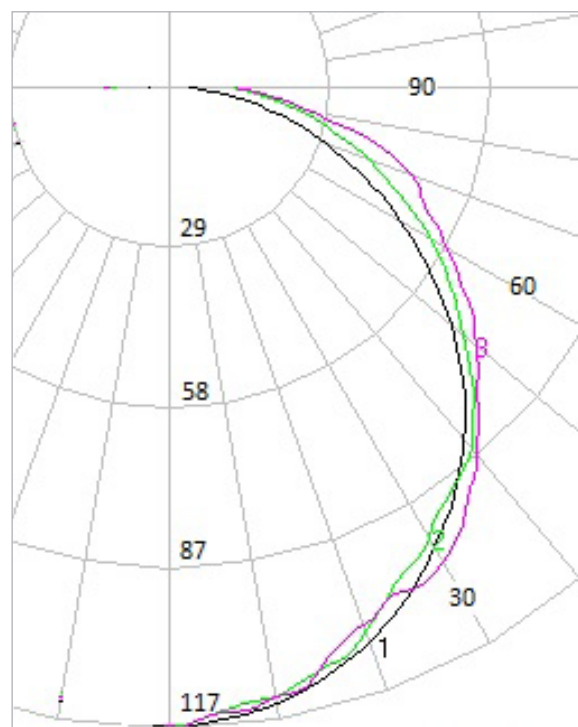
Note:

- AC designed to comply with AS/NZS60598.2.1 and meet relevant Australian EMC standards
- EM designed to comply with AS2293.3 and meet relevant Australian EMC standards

AC polar diagram



EM polar diagram



Note on AC/EM polar diagrams:

- Legend C0:1 black, C45.2 green, C90.3 cyan
- Two plane symmetry C0:C90