

FLAT COVER WITH SCREWS, TYPE 4X

INDUSTRY STANDARDS

UL 508A Listed; Type 3, 3R, 4, 4X, 12, 13; File No. E54315
 cUL Listed per CSA C22.2 No 94; Type 3, 3R, 4, 4X, 12, 13; File No. E54315
 Enclosure flammability per UL 508A

NEMA/EEMAC Type 3, 3R, 4, 4X, 12, 13
 CSA File No. 217184: Type 3, 3R, 4, 4X, 12, 13
 IEC 60529, IP66
 Meets NEMA Type 3RX requirements

APPLICATION

Enclosures feature a flat, overlapping cover design that ensures a more-secure seal. Available with removable and hinged covers for application flexibility.

SPECIFICATIONS

- Compression-molded fiberglass construction
- Overlapping flat, solid-covers
- Cover fastens with screws
- Type 304 stainless steel piano hinges on hinged models
- Integral mounting brackets
- Enclosures protect equipment and operators from indirect electrical contact

FINISH

Fiberglass material is RAL 7035 light-gray inside and out. Optional steel panels are painted white. Optional stainless steel, aluminum, conductive and composite panels are unpainted.

ACCESSORIES

See also Accessories.
 H2OMIT™ Vent Drains, Type 4X
 HOL-SEALERS™ Non-Metallic Hole Seals
 Panels for Junction Boxes
 Swing-Out Panel Kit
 Terminal Block Kit Assembly for Junction Boxes Overview

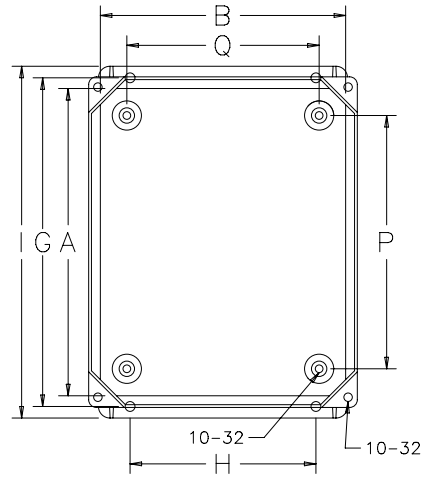
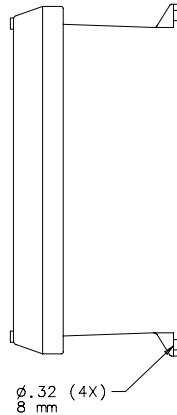
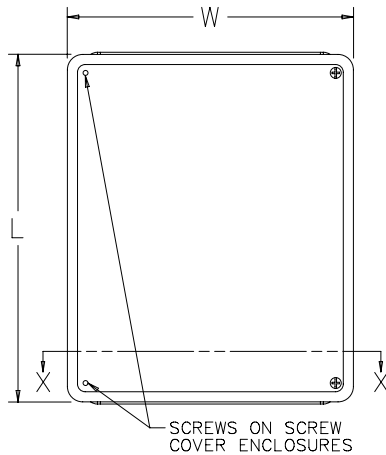
BULLETIN: HJ

Standard Product

Catalog Number	AxBxC in./mm	Door Fasteners	D in./mm	F in./mm	G in./mm	H in./mm	I in./mm	J in./mm	K in./mm	L in./mm	O in./mm	P in./mm	Q in./mm	W in./mm	Steel Panel	Aluminum Panel	Panel Size in./mm
HJ606HWLG	6.00 x 6.00 x 4.10	Hinged, 2 screws	4.96	4.64	6.77	4.01	7.52	4.34	0.50	7.31	1.38	4.26	4.25	7.31	A6P6	A6P6AL	4.88 x 4.88
	152 x 152 x 104		126	118	172	102	191	110	13	186	35	108	108	186			124 x 124
HJ606WLG	6.00 x 6.00 x 4.10	4 screws	4.96	4.64	6.77	4.01	7.52	4.34	0.50	7.31	1.38	4.26	4.25	7.31	A6P6	A6P6AL	4.88 x 4.88
	152 x 152 x 104		126	118	172	102	191	110	13	186	35	108	108	186			124 x 124
HJ806HWLG	8.00 x 6.00 x 4.10	Hinged, 2 screws	4.96	4.64	8.74	4.01	9.50	3.19	1.65	9.30	1.77	6.25	4.25	7.31	A8P6	A8P6AL	6.75 x 4.88
	203 x 152 x 104		126	118	222	102	241	81	42	236	45	159	108	186			171 x 124
HJ806WLG	8.00 x 6.00 x 4.10	4 screws	4.96	4.64	8.74	4.01	9.50	3.19	1.65	9.30	1.77	6.25	4.25	7.31	A8P6	A8P6AL	6.75 x 4.88
	203 x 152 x 104		126	118	222	102	241	81	42	236	45	159	108	186			171 x 124
HJ1008HWLG	10.00 x 8.00 x 4.59	Hinged, 2 screws	5.43	5.12	10.75	6.02	11.52	3.55	1.65	11.31	1.77	8.25	3.24	9.31	A10P8	A10P8AL	8.75 x 6.88
	254 x 203 x 117		138	130	273	153	293	93	42	287	45	210	158	236			222 x 102
HJ1008WLG	10.00 x 8.00 x 4.59	4 screws	5.43	5.12	10.75	6.02	11.52	3.88	1.65	11.31	1.77	8.25	6.24	9.31	A10P8	A10P8AL	8.75 x 6.88
	254 x 203 x 117		138	130	273	153	293	93	42	287	45	210	158	236			222 x 102
HJ1210HWLG	12.00 x 10.00 x 4.74	Hinged, 2 screws	5.58	5.24	12.75	8.01	13.51	3.81	1.65	13.30	1.77	10.25	8.25	11.29	A12P10	A12P10AL	10.75 x 8.88
	305 x 254 x 120		142	133	324	203	343	97	42	338	45	160	210	287			273 x 226
HJ1210WLG	12.00 x 10.00 x 4.74	4 screws	5.58	5.24	12.75	8.01	13.51	3.81	1.65	13.30	1.77	10.25	8.25	11.29	A12P10	A12P10AL	10.75 x 8.88
	305 x 254 x 120		142	133	324	203	343	97	42	338	45	160	210	287			273 x 226
HJ1412HWLG	14.00 x 12.00 x 5.74	Hinged, 2 screws	6.70	6.38	14.75	10.00	15.50	4.93	1.65	15.32	1.77	12.25	10.24	13.30	A14P12	A14P12AL	12.75 x 10.88
	356 x 305 x 146		170	162	375	254	394	125	42	389	45	311	260	338			324 x 276
HJ1412WLG	14.00 x 12.00 x 5.74	4 screws	6.70	6.38	14.75	10.00	15.50	4.93	1.65	15.32	1.77	12.25	10.24	13.30	A14P12	A14P12AL	12.75 x 10.88
	356 x 305 x 146		170	162	375	254	394	125	42	389	45	311	260	338			324 x 276
HJ1614HWLG	16.00 x 14.00 x 5.74	Hinged, 2 screws	6.70	6.38	16.75	12.00	14.52	4.93	1.65	17.31	1.77	14.25	12.24	15.30	A16P14	A16P14AL	14.75 x 12.88
	406 x 356 x 146		170	162	425	305	445	125	42	440	45	362	311	389			375 x 327
HJ1614WLG	16.00 x 14.00 x 5.74	4 screws	6.70	6.38	16.73	12.00	17.52	4.93	1.65	17.31	1.77	14.25	12.24	15.30	A16P14	A16P14AL	14.75 x 12.88
	406 x 356 x 146		170	162	425	305	445	125	42	440	45	362	311	389			375 x 327
HJ1816HWLG	18.00 x 16.00 x 8.62	Hinged, 2 screws	9.58	9.25	18.74	12.00	19.50	7.81	1.65	19.31	1.77	16.25	14.25	17.31	A18P16	A18P16AL	16.75 x 14.88
	457 x 406 x 219		243	235	476	305	495	198	42	490	45	413	362	440			425 x 378
HJ1816WLG	18.00 x 16.00 x 8.62	4 screws	9.58	9.25	18.47	12.00	19.50	7.81	1.65	19.31	1.77	16.25	14.25	17.31	A18P16	A18P16AL	16.75 x 14.88
	457 x 406 x 219		243	235	476	305	495	198	42	490	45	413	362	440			425 x 378

A x B x C are internal dimensions.

Purchase panels separately. Optional stainless steel, composite and aluminum panels are available for most sizes.



87575746

