

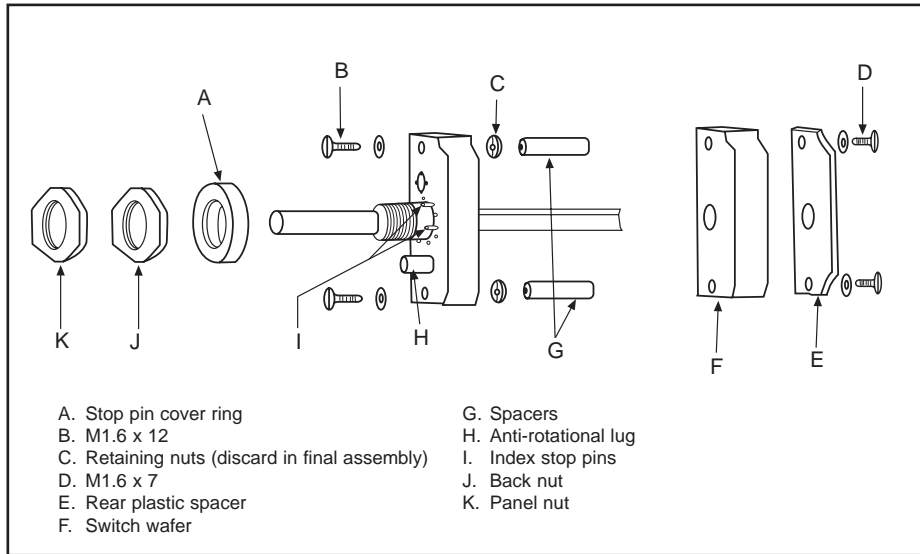


Instruction Leaflet

**Miniature P.C.B.
switch mechanism**

RS stock no. 327-686

Assembly detail



Note: To prepare for the final assembly of the switch mechanism and wafers, first remove retaining nuts (not to be used in final assembly) and plastic spacer (to be placed at the rear of the last wafer in final assembly). Care should be taken to prevent the body of the switch mechanism from coming apart during preparation.

The information provided in RS technical literature is believed to be accurate and reliable; however, RS Components assumes no responsibility for inaccuracies or omissions, or for the use of this information, and all use of such information shall be entirely at the user's own risk. No responsibility is assumed by RS Components for any infringements of patents or other rights of third parties which may result from its use. Specifications shown in RS Components technical literature are subject to change without notice.

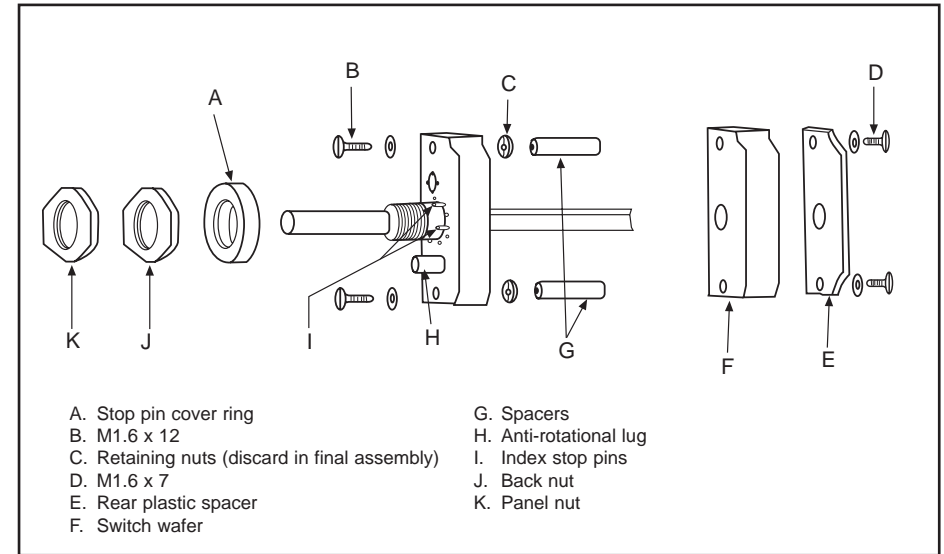


Instruction Leaflet

**Miniature P.C.B.
switch mechanism**

RS stock no. 327-686

Assembly detail



Note: To prepare for the final assembly of the switch mechanism and wafers, first remove retaining nuts (not to be used in final assembly) and plastic spacer (to be placed at the rear of the last wafer in final assembly). Care should be taken to prevent the body of the switch mechanism from coming apart during preparation.

The information provided in RS technical literature is believed to be accurate and reliable; however, RS Components assumes no responsibility for inaccuracies or omissions, or for the use of this information, and all use of such information shall be entirely at the user's own risk. No responsibility is assumed by RS Components for any infringements of patents or other rights of third parties which may result from its use. Specifications shown in RS Components technical literature are subject to change without notice.