

# Indicator

K14-  
040.210031

Distribution by  
Rs-online



<https://rs-online.eao.com/component/K14-040.2...>

Your product:

---



## K14-040.210031 Indicator

### FRONT

**Front dimension:** Ø 35 mm

**Front form:** Round

### MOUNTING

**Mounting cut-out:** Ø 30.5 mm

**Mounting type:** Panel mounting

### OPERATING-/INDICATION PART

**Lens colour:** Green

**Lens material:** Plastic

**Lens illumination:** Illuminated

**Lens shape:** Raised

**Lens optics:** transparent

**Illumination colour:** Green

### ELECTRICAL CHARACTERISTICS

**Switching voltage and switching current:** 250 VAC, 5 A (ohmic)  
250 VAC, 3 A (Soldering terminal)  
250 VAC, 2 A (inductive,  $\cos(\phi) = 0.7$ )  
220 VDC, 0.1 A (inductive, L:R = 30 ms)  
110 VDC, 0.2 A (inductive, L:R = 30 ms)  
60 VDC, 0.7 A (inductive, L:R = 30 ms)  
24 VDC, 2 A (inductive, L:R = 30 ms)

**Operating voltage:** 24 V AC/DC

**Operation current:** 4/7 mA  $\pm 15\%$

**Rated Operational Voltage  $U_e$ :** 250 VAC/DC according to EN IEC 61058-1

<b>Switching rating:</b>	5 A
<b>Electrical lifetime:</b>	50 000 cycles of operation
<b>Electric strength:</b>	3000 VAC, 50 Hz, 1 min. between all terminals and earth, according to EN/IEC 61058-1
<b>Protection class:</b>	II
<b>Standards:</b>	According to EN/IEC 61058-1
<b>Thermal current I<sub>th</sub>:</b>	5 A

### MECHANICAL CHARACTERISTICS

<b>Terminal:</b>	Plug-in terminal, 2.8 x 0.5 mm
<b>Tightening torque:</b>	Fixing nut max. 0.25 Nm
<b>Weight:</b>	0.031 kg

### AMBIENT CONDITION

<b>IP front protection:</b>	IP67, according to DIN EN 60529
<b>Operating temperature:</b>	- 25 °C ... + 55 °C, mounted as a block, make sure the heat can escape freely
<b>Storage temperature:</b>	- 40 °C ... + 85 °C
<b>Shock resistance:</b>	Max. 150 m / s <sup>2</sup> , pulse width 11 ms, 3-axis, (semi-sinusoidal as per EN IEC 60068-2-27)
<b>Vibration resistance:</b>	Max. 100 m / s <sup>2</sup> from 10 Hz ... 500 Hz, (sinusoidal EN IEC 60068-2-6)
<b>Climate resistance:</b>	Standard condition, as per DIN EN 60068-2-78 Standard cyclic, as per DIN IEC 60068-2-30

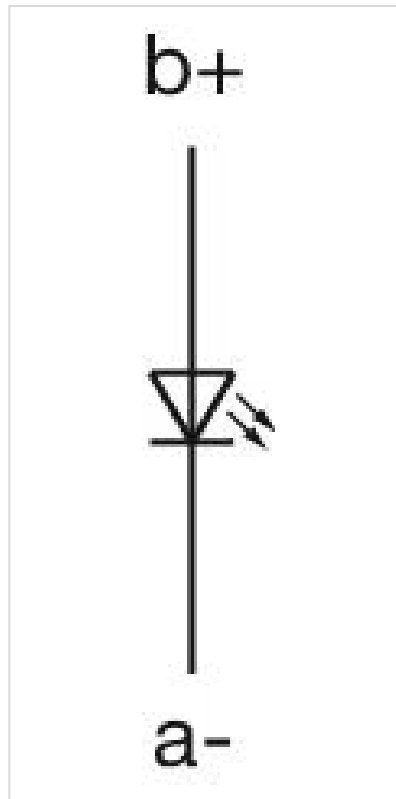
### CERTIFICATE

<b>Approbations:</b>	CB (IEC 61058-1), CQC, CSA, DNV, ENEC (EN 61058-1), UL
<b>Conformities:</b>	CE, UKCA, 2011 / 65 / EC (RoHS), 2014 / 35 / EU (LVD)
<b>REACH:</b>	REACH compliant
<b>RoHS:</b>	RoHS compliant

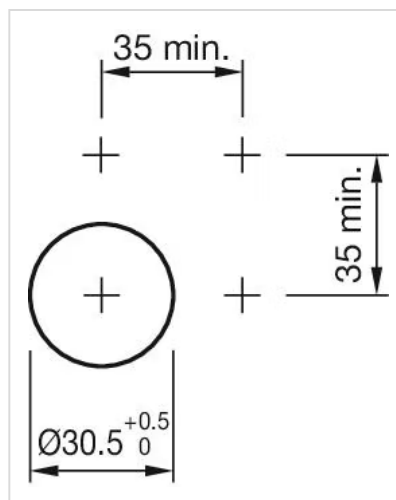
### OTHER

<b>Short Description:</b>	Indicator, 5 A, 24 V AC/DC, Plug-in terminal, 2.8 x 0.5 mm, Round, Green, Green
<b>Housing colour:</b>	Black
<b>Housing material:</b>	Plastic

**Wiring diagrams:**



**Mounting cut-outs:**



**Dimension drawings:**

