

Datasheet

ENGLISH

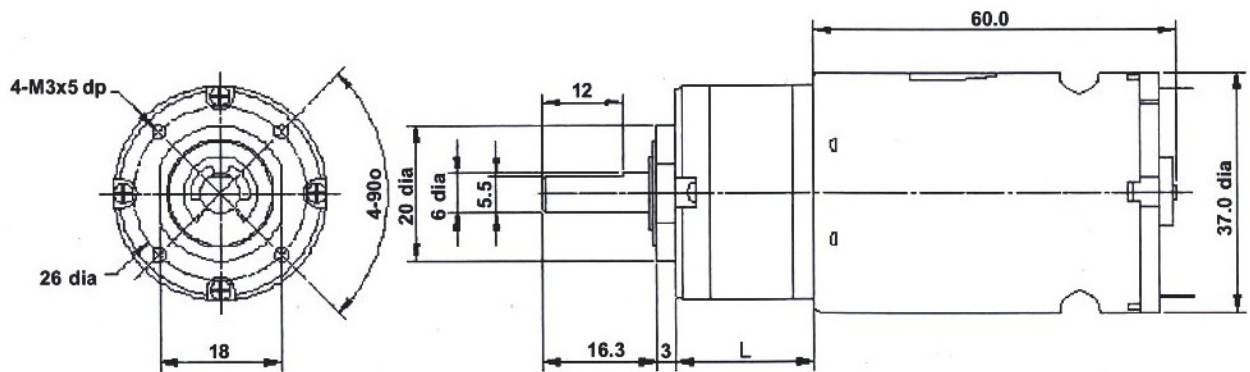
RS PRO, 12 V dc, 6823 gcm, Brushed DC Geared Motor, Output Speed 1200 rpm

Stock No: 834-7613



Specifications:

Output Speed	1200 rpm
Supply Voltage	12 V dc
Maximum Output Torque	6823 g.cm
DC Motor Type	Brushed
Shaft Diameter	6mm
Power Rating	12 W
Gearhead Type	Planetary
Length	82mm
Width	37mm
Current Rating	1.42 A
Weight	314g



Operating relative humidity 20% ~ 85%
 Operating temperature range -10°C ~ +60°C

Ratio	L
5:1	22.0mm

Gearbox Housing material	Metal
Backlash at no-load	< 2.5°
Bearing at output	Sleeve bearings
Radial load (10mm from flange)	< 3 kgf
Shaft axial load	< 2.5 kgf
Shaft press fit force max	< 10 kgf
Radial play of shaft	< 0.08mm
Thrust play of shaft	< 0.3mm

Reduction Ratio	Rated tolerance Torque	Max momentary Tolerance Torque	Efficiency
1/5	2.0 kgf-cm Max.	6.0 kgf-cm	80%

Reduction Table RPM	4.5v	6v	9v	12v	15v
SUPPLY VOLTAGE					
834-7613	450	600	900	1200	1500

Note: Motor speeds may vary by (+) or (-) 12.5%