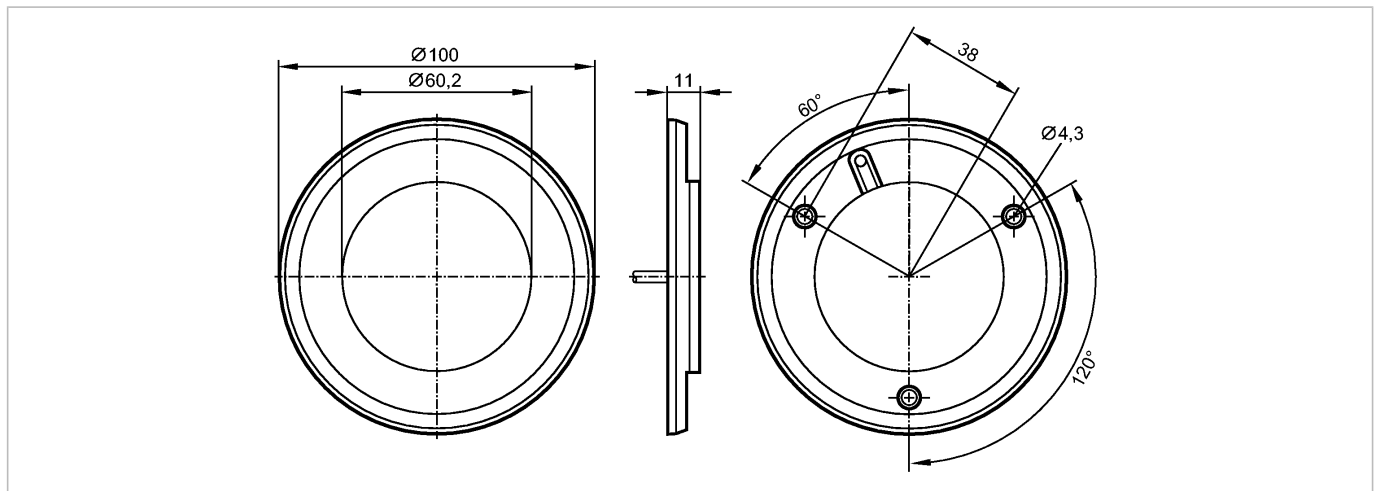


KT5012

KTRBFNUKBPKG/2M/SA/AM

Touch sensors



Made in Germany



Product characteristics

Touch sensor
Plastic housing
Cable
Touch sensor with static evaluation principle
Without coloured surround

Electrical data

Electrical design	DC PNP
Operating voltage [V]	24 DC (12...36 DC)
Current consumption [mA]	30
Protection class	III
Reverse polarity protection	yes
Overvoltage protection [V]	yes

Outputs

Output function	normally open
Current rating [mA]	500
Short-circuit proof	yes

Environment

Ambient temperature [°C]	-40...85
Protection	IP 69K; on the front

Tests / approvals

MTTF [Years]	4904
--------------	------

Mechanical data

Housing materials	window: Polyamide (Grilamid TR 90UV); fixing ring: polycarbonate-ABS black
Weight [kg]	0.138

Displays / operating elements

Output status indication LED	Red
Operation LED	green
Display	8 LED

Electrical connection

Connection	PUR cable / 2 m
------------	-----------------

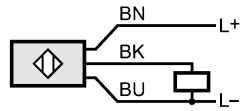
Wiring

KT5012

KTRBFNUKBPKG/2M/SA/AM

Touch sensors

- 1: brown
- 3: blue
- 4: black



Accessories

Accessories (optional)

surround in different colours

Remarks

Pack quantity

[piece]

1