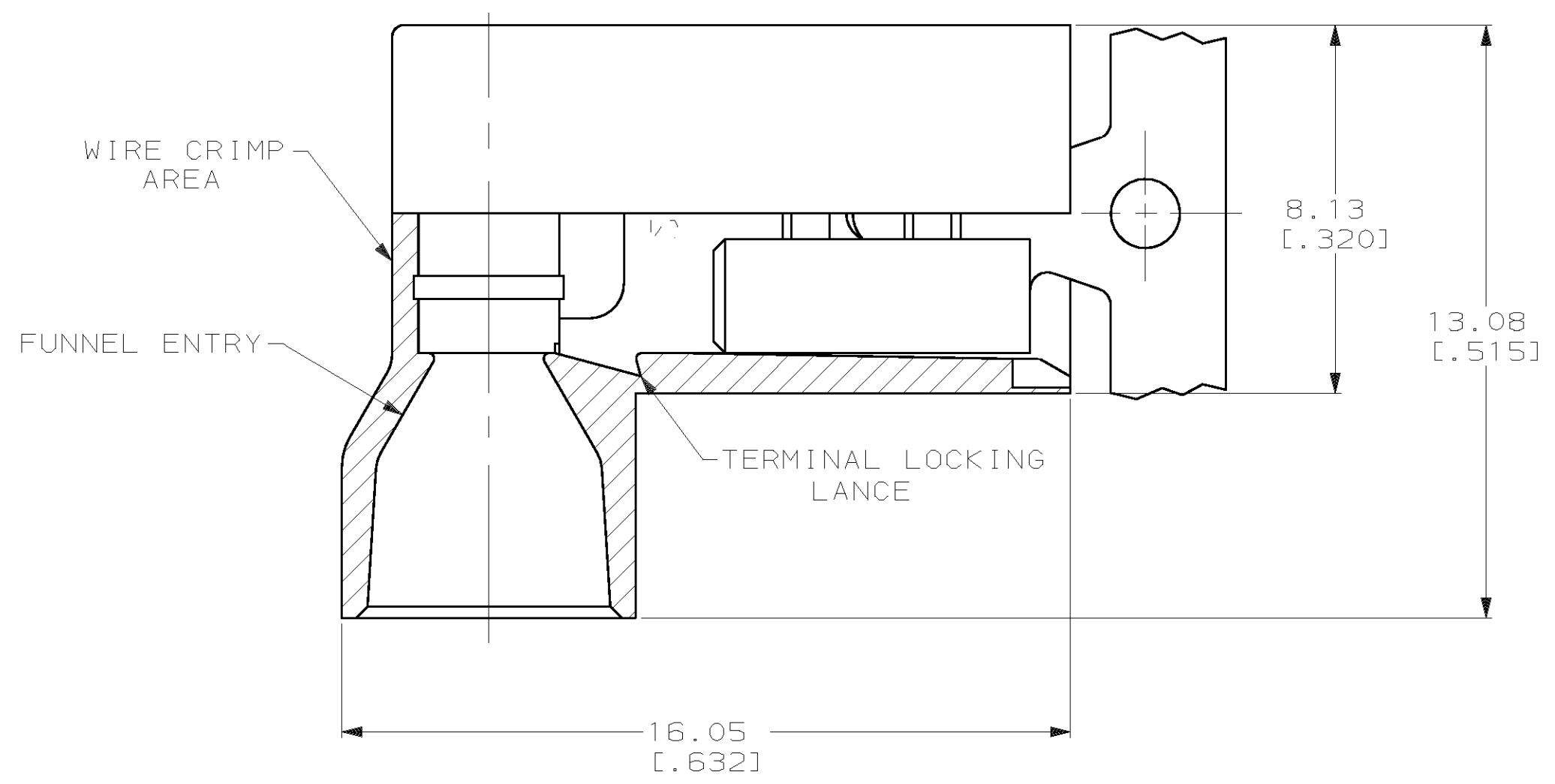
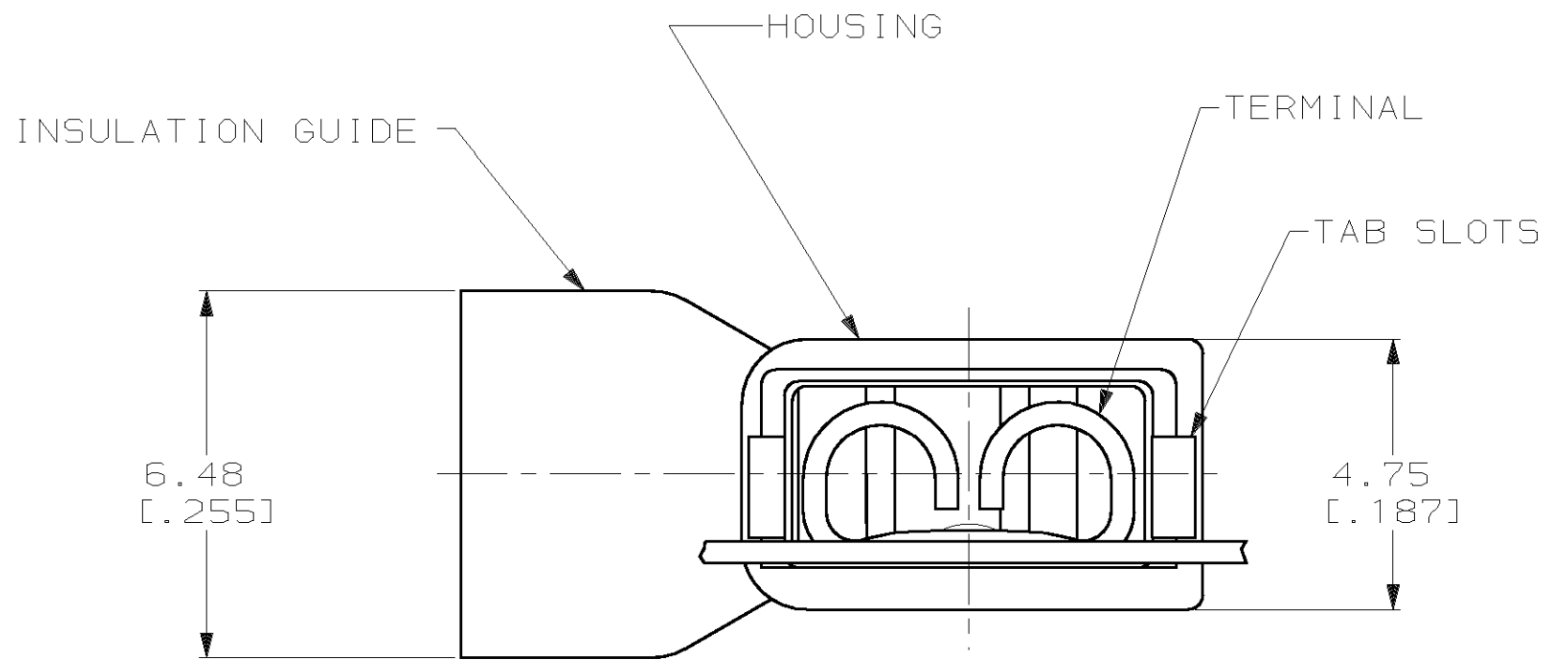
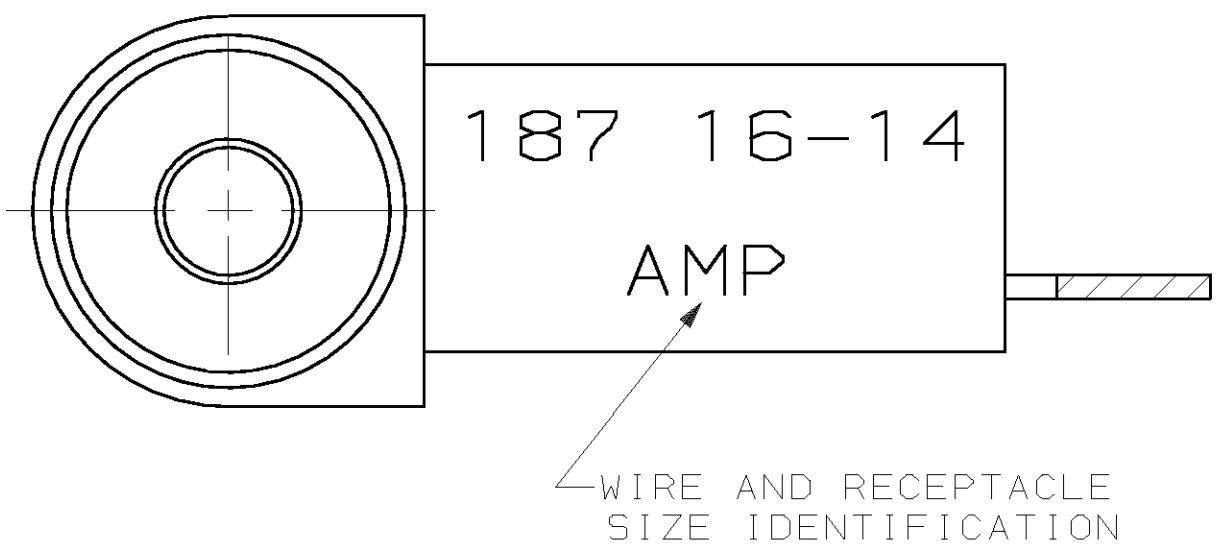


THIS DRAWING IS UNPUBLISHED. RELEASED FOR PUBLICATION
 © COPYRIGHT 19 BY AMP INCORPORATED. ALL INTERNATIONAL RIGHTS RESERVED.

LOC		DIST		ZONE		LTR		REVISIONS		
AF	50	P	F					DESCRIPTION	DATE	APPD
						J		ADDED 6-2 PER 063A-0391-00	28JUL00	JR/JH



- 1 FITS 0.51±0.025 X 4.75 [.020±.001 X .187] TAB
- 2 WIRE SIZE: 1.3-2.0mm² [16-14 AWG], STRANDED ONLY. STRIP LENGTH 7.14 [.281]
- 3 INSULATION SIZE: 4.70 [.185] MAX DIA.
- 4 CONTINUOUS STRIP
- 5 PRELIMINARY - NOT FOR PRODUCTION



STANDARD	TYPE 6/6 NYLON	GRAY	0.41 [.016] #4H BRASS	0.002032 [.000080] MIN TIN PL	6-520338-2
BULK		BLUE TRANSLUCENT			5-520338-2
STANDARD					3-520338-2
PACKAGING	MATERIAL	COLOR	MATERIAL	FINISH	PART NO

DO NOT SCALE PRINT. UNLESS SPECIFIED DIMENSIONS IN mm [INCHES] TOLERANCES ON: 2 PLC DEC ± 0.38 [.015] 3 PLC DEC ± - ANGLES ± -	DR 8/9/90 P FORTNEY	AMP Incorporated Harrisburg, PA 17105-3608		
	CHK 8/9/90 JR RUTH			
MATERIAL	APPD 8/9/90 D BRATINA	NAME		
SEE TABLE	APPD 8/9/90 R KUZO	RECEPTACLE ASSEMBLY, ULTRA-FAST FLAG, 4.75 [.187] SERIES		
FINISH	PRODUCT SPEC 108-2043	SIZE	CAGE CODE	DRAWING NO
SEE TABLE	APPLICATION SPEC 114-2123	C	00779	520338
	WEIGHT -	SCALE	8:1	SHEET 1 OF 1

METRIC