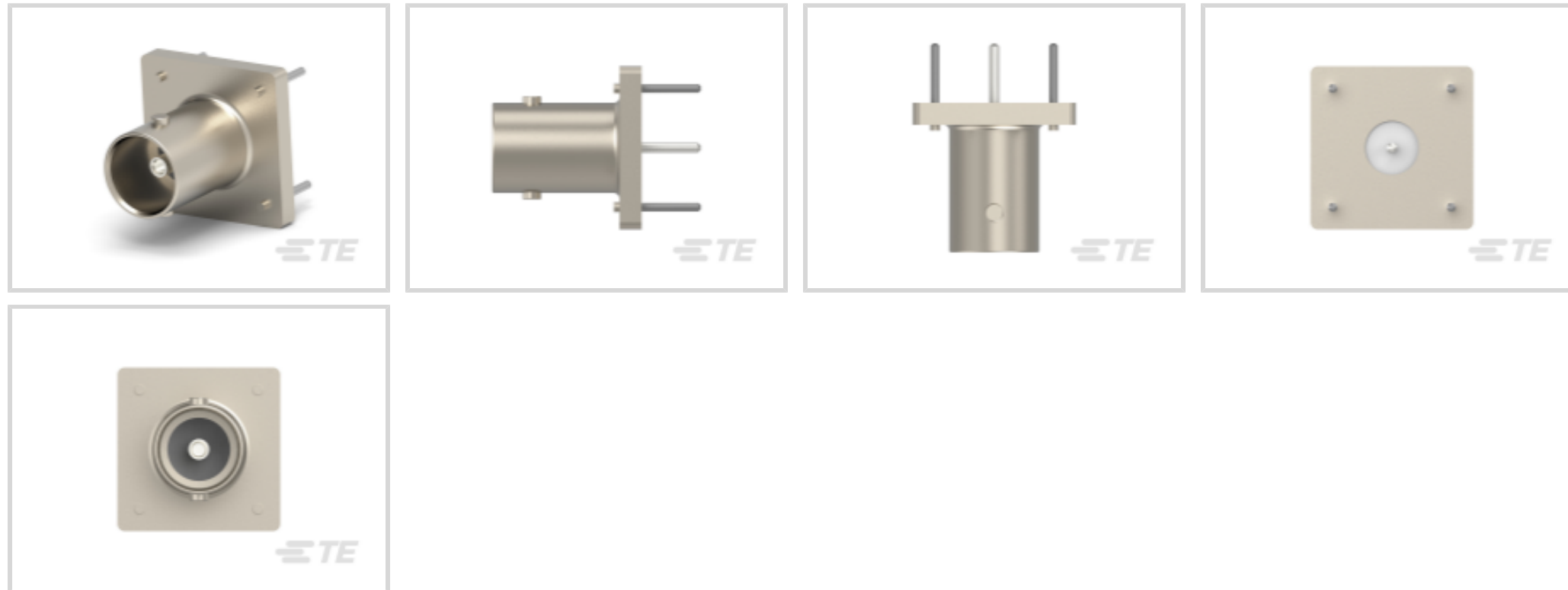




Connectors &gt; RF Connectors &gt; Coax Connectors

RF Interface: **BNC**RF Connector Style: **Jack**RF Connector Mated Outer Diameter (Approximate): **14.53 mm [ .572 in ]**Impedance: **75 Ω**RF Connector Coupling Mechanism: **Bayonet**

## Features

### Product Type Features

RF Interface	BNC
RF Connector Style	Jack
Connector System	Cable-to-Board
Sealable	No
Connector & Contact Terminates To	Printed Circuit Board

### Configuration Features

PCB Mount Orientation	Vertical
Number of Positions	1
Number of Coaxial Contacts	1

### Electrical Characteristics

Impedance	75 Ω
-----------	------

### Body Features

Body Material	Zinc
Body Plating Material	Nickel

### Contact Features

--	--

	5080 $\mu$ m
RF Connector Center Contact Underplating Material	Copper, Nickel
RF Connector Center Contact Plating Material	Silver (Ag)
RF Connector Center Contact Material	Beryllium Copper

### Termination Features

Termination Method to PCB	Through Hole - Solder
Termination Post & Tail Length	6.35 mm[.25 in]

### Mechanical Attachment

PCB Mount Retention	Without
RF Connector Coupling Mechanism	Bayonet
Connector Mounting Type	Board Mount
RF Contact Captivation Method	Mechanical
Detent	With

### Dimensions

Profile Height from PCB	15.88 mm[.625 in]
RF Connector Mated Outer Diameter (Approximate)	14.53 mm[.572 in]

### Usage Conditions

Insulation Option	Uninsulated
-------------------	-------------

### Operation/Application

Operating Frequency Range	4 GHz
---------------------------	-------

### Packaging Features

Packaging Method	Tube
------------------	------

### Other

Grade	Commercial
Dielectric Material	Polytetrafluoroethylene (PTFE)

### Product Compliance

[For compliance documentation, visit the product page on TE.com>](#)

EU RoHS Directive 2011/65/EU	Compliant with Exemptions
EU ELV Directive 2000/53/EC	Compliant with Exemptions
China RoHS 2 Directive MIIT Order No 32, 2016	有害物质含量超出标准 Restricted Substance(s) Above Threshold

EU REACH Regulation (EC) No. 1907/2006

Current ECHA Candidate List: JUNE 2025  
(250)

Candidate List Declared Against: JUL 2021  
(219)

SVHC > Threshold:

Pb (3.7% in Component Part)

**Article Safe Usage Statements:**

Do not eat, drink or smoke when using this product. Wash thoroughly after handling. Recycle if possible and dispose of the article by following all applicable governmental regulations relevant to your geographic location.

Halogen Content

Low Bromine/Chlorine - Br and Cl < 900 ppm per homogenous material. Also BFR /CFR/PVC Free

Solder Process Capability

Pin-in-Paste capable to 260°C

**Product Compliance Disclaimer**

This information is provided based on reasonable inquiry of our suppliers and represents our current actual knowledge based on the information they provided. This information is subject to change. The part numbers that TE has identified as EU RoHS compliant have a maximum concentration of 0.1% by weight in homogenous materials for lead, hexavalent chromium, mercury, PBB, PBDE, DBP, BBP, DEHP, DIBP, and 0.01% for cadmium, or qualify for an exemption to these limits as defined in the Annexes of Directive 2011/65/EU (RoHS2). Finished electrical and electronic equipment products will be CE marked as required by Directive 2011/65/EU. Components may not be CE marked. Additionally, the part numbers that TE has identified as EU ELV compliant have a maximum concentration of 0.1% by weight in homogenous materials for lead, hexavalent chromium, and mercury, and 0.01% for cadmium, or qualify for an exemption to these limits as defined in the Annexes of Directive 2000/53/EC (ELV). Regarding the REACH Regulation, the information TE provides on SVHC in articles for this part number is based on the latest European Chemicals Agency (ECHA) 'Guidance on requirements for substances in articles' posted at this URL: <https://echa.europa.eu/guidance-documents/guidance-on-reach>

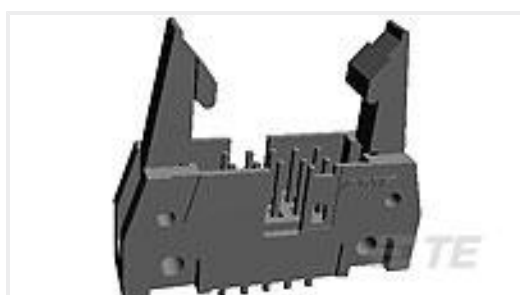
## Customers Also Bought



TE Part #87499-2  
07 MODIV HSG COMP SR .100CL



TE Part #5-103414-3  
05 MODII HDR SRST SHRD LF



TE Part #499922-8  
034 UNIV HDR SP 4S 15DP STD L1



TE Part #2057592-2  
CFP Guide Rail



TE Part #2057626-1  
CFP External Bracket Assy



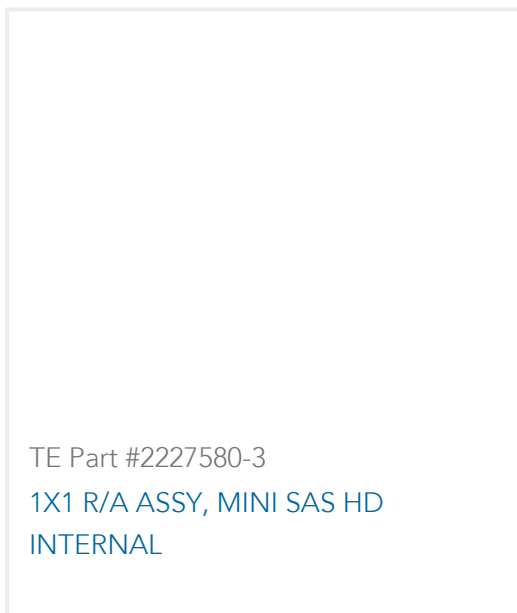
TE Part #2057930-1  
CFP Backer Plate Assy



TE Part #5084616-3  
0.8FH,R13H.5,080,08/Sn,TR,SC



TE Part #2170563-1  
12G SAS RECEPTACLE, 29 POS



## Documents

### Product Drawings

[BNC PCB VERTICAL,75 OHM](#)

English

### CAD Files

[3D PDF](#)

3D

Customer View Model

[ENG\\_CVM\\_CVM\\_5413986-1\\_A.2d\\_dxf.zip](#)

English

Customer View Model

[ENG\\_CVM\\_CVM\\_5413986-1\\_A.3d\\_igs.zip](#)

English

Customer View Model

[ENG\\_CVM\\_CVM\\_5413986-1\\_A.3d\\_stp.zip](#)

English

By downloading the CAD file I accept and agree to the [Terms and Conditions](#) of use.

### Datasheets & Catalog Pages

[BNC Connectors](#)

English

### Product Specifications

[Product Specification](#)

English