

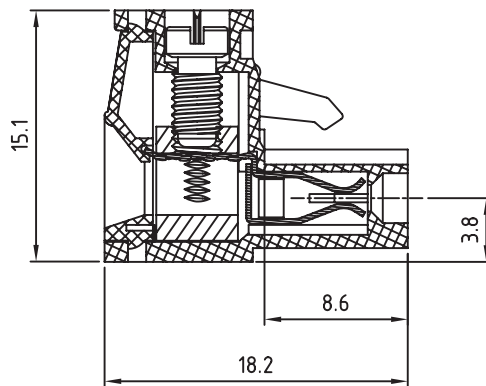
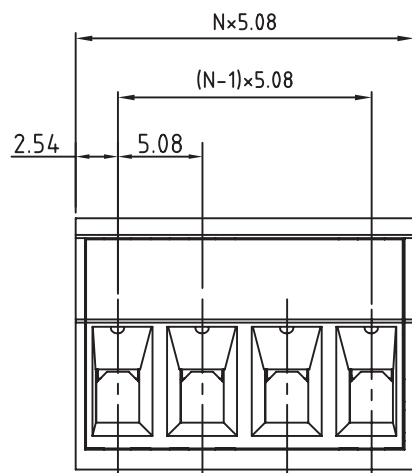
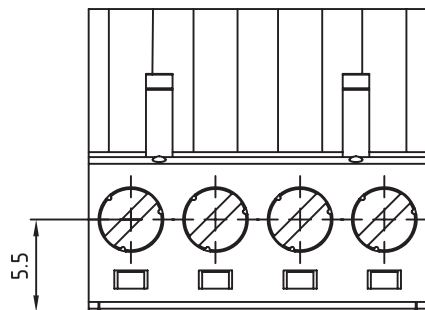
1

2

3

4

5



TECHNICAL CHARACTERISTICS

MATERIAL
 INSULATOR: PA 66
 FLAMABILITY RATING: UL94-V0
 COLOR: GREEN
 METAL HOUSING: BRASS (CuZn)
 TERMINAL SCREW: STEEL ZINC PLATING "-" SLOT TYPE
 WIRE GUARD: PhBz TIN PLATED

ENVIRONMENTAL
 OPERATING TEMPERATURE: -40 UP TO 105°C
 COMPLIANCE: LEAD FREE AND ROHS

| | | |
|-----------------------|-------------|--------|
| ELECTRICAL | cULus | VDE |
| CURRENT RATING: | 12A | 20A |
| WORKING VOLTAGE: | 300VAC | 300VAC |
| WITHSTANDING VOLTAGE: | 1.6KV | 2.5KV |
| CONTACT RESISTANCE: | 20 mOhm MAX | |

STANDARD

CERTIFIED E315414 / MODEL NUMBER 351
 CERTIFIED 40023195 / MODEL NUMBER 351

MECHANICAL

| | | |
|----------------|----------------|-------------------------|
| SOLID WIRE: | 24-12 AWG | 0.20-3.0MM ² |
| STRANDED WIRE: | 24-12 AWG | 0.20-3.0MM ² |
| TORQUE: | 5Lb.In / 0.5Nm | |

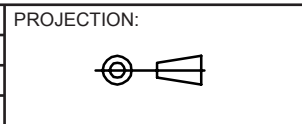
WIRE STRIPE LENGTH: 7-8MM
 SCREW: M3
 PITCH: 5.08MM

PACKAGING: BOX

SERIE 351

RoHS Compliant

| | | | |
|-----|-----------|-----------------|----|
| G | | | |
| F | | | |
| E | | | |
| D | 05-NOV-12 | V-UL | GG |
| C | 13-OCT-09 | STANDARD | JP |
| B | 29-OCT-08 | CHARACTERISTICS | JP |
| A | 31-OCT-07 | PDF | EC |
| REV | DATE | FILE | BY |



GENERAL TOLERANCE
 .X = +/- 0.2
 .XX = +/- 0.15

APPROVAL: RJ

UNIT: MM
 SCALE:
 SHEET: 1/1
 DRAW: MARVIN



DESCRIPTION: SERIE 351 - 5.08MM VERTICAL CABLE ENTRY PLUG
 3.0MM² WIRES WR-TBL
 WERI PART NO: 691 351 500 0xx

SIZE
A4