



Brand of NTN Group

## Technical data

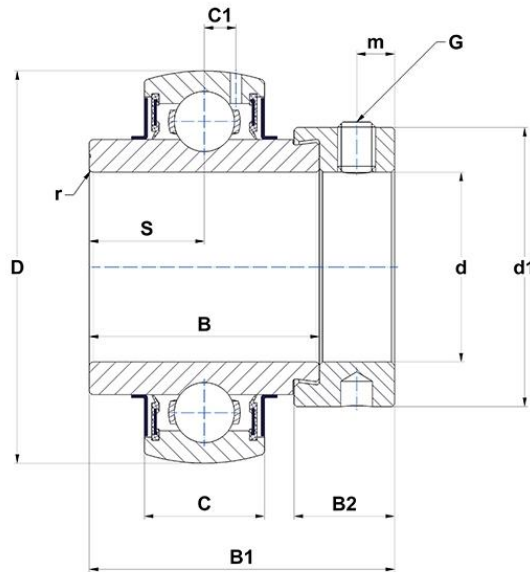
### EX215-47G2

Insert bearings



Spherical outer diameter, fixing by eccentric locking collar, seal with slinger

### VISUAL (S)



### PRODUCT DEFINITION

<b>Brand</b>	SNR
<b>B - Width of Inner Ring</b>	74,6 mm
<b>B1 - Overall width Inner Ring</b>	92,1 mm
<b>B2 - Width of eccentric locking collar/nut</b>	23,9 mm
<b>C - Width of Outer Ring</b>	30 mm
<b>C1 - Distance center of OR to center of lubrication zone</b>	9 mm
<b>d - Shaft diameter</b>	74,613 mm
<b>d1 - Outer dia of eccent. Lock. collar / nut of adapter sleeve</b>	102 mm



**NTN Europe**

1 rue des Usines · BP 2017 · 74010 Annecy Cedex · France · Tel. +33 (0)4 50 65 30 00  
 S.A. au capital de 322 639 919 € · RCS ANNECY B 325 821 072 · Id. Fiscale : FR 48 325 821 072  
 SIRET 325 821 072 00015 · Code APE 2815 Z · Code NACE 28.15

### PRODUCT DEFINITION

<b>D - Outer diameter of OR</b>	130 mm
<b>G - Set screw size</b>	3/8-24UNF
<b>m - Distance to set screw</b>	8,5 mm
<b>r - Radius Inner Ring</b>	2
<b>S - Distance front side/bearing centre</b>	37,3 mm
<b>f0 - Factor</b>	14.7
<b>SW - Wrench size</b>	4,763 mm

### PRODUCT PERFORMANCE

<b>C - Dynamic load rating</b>	66000000 mN
<b>C0 - Static load rating</b>	49500000 mN
<b>Operating temperature min.</b>	253,15 °K
<b>Operating temperature max.</b>	373,15 °K

### OTHER FEATURES

<b>Mass</b>	2,8 kg
<b>Recommended tightening torque for set screw</b>	16.8 N-m

### BEARING FREQUENCIES

<b>BPFO - Over rolling frequency on outer ring (60 rpm)</b>	4.56298780487805 Hz
<b>BPFI - Over rolling frequency on inner (60 rpm)</b>	6.43701219512195 Hz
<b>BSF - Over rolling frequency on rolling element (60 rpm)</b>	5.69935497669222 Hz
<b>BRF - Rotational frequency - rolling element (60 rpm)</b>	2.84967748834611 Hz
<b>FTF - Rotational frequency - cage (60 rpm)</b>	0.414817073170732 Hz

