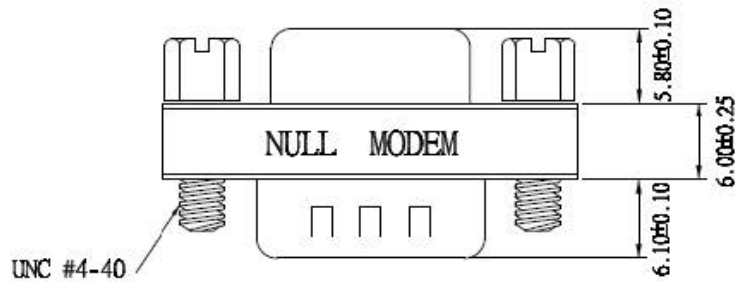
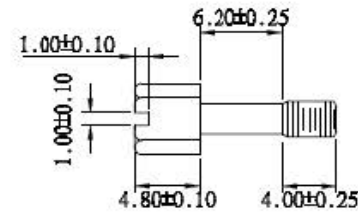
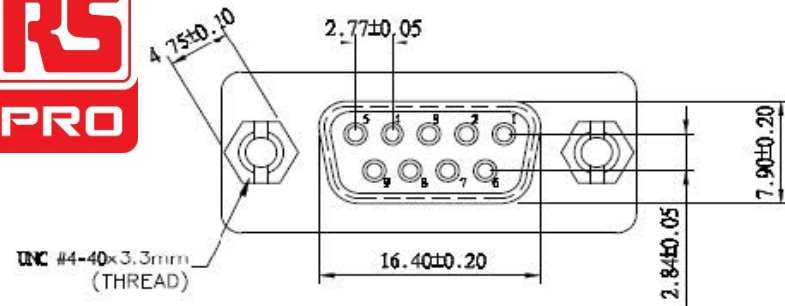




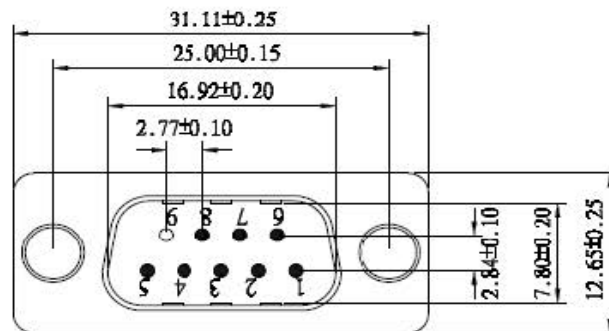
UNC #4-40 Hexscrew



MA 005A (DB9M/F ADAPTOR)

PIN OUT: 09Male 09Female

2	-----	3
3	-----	2
4	-----	1
5	-----	6
1	-----	5
6	-----	4
7	-----	8
8	-----	7
9	-----	9



Label: orange color with white character

One side: NULL MODEM

The other side: MINI ADAPTER

SPECIFICATION

INSULATOR: PBT Glass fibre reinforced UL 94 V0 (black)

CONTACT: Brass

CONTACT PLATING: Gold plated over nickel

SHELL: Tin plated shell

REACH
RoHS

UNLESS OTHERWISE SPECIFIED TOLERANCE : ANGLES : ±2°			
X.X ±0.3		DC NOT SCALE DRAWING	
X.XX ±0.15		TITLE: MGCD09F/D09M/07-02E	
DRAWN BY	Bonnie	G00350	
CHECKED BY	Eric		
APPROVED BY	Mark	SIZE A4	UNIT mm
DWG NO.		PART NO.	-
		SCALE	NA
		THIRD ANGLE PROJECTION	REV. D
			PAGE 1 OF 2
TOOLING NO.		ITEM NO.	DATE
		243-0374	2018-10-04