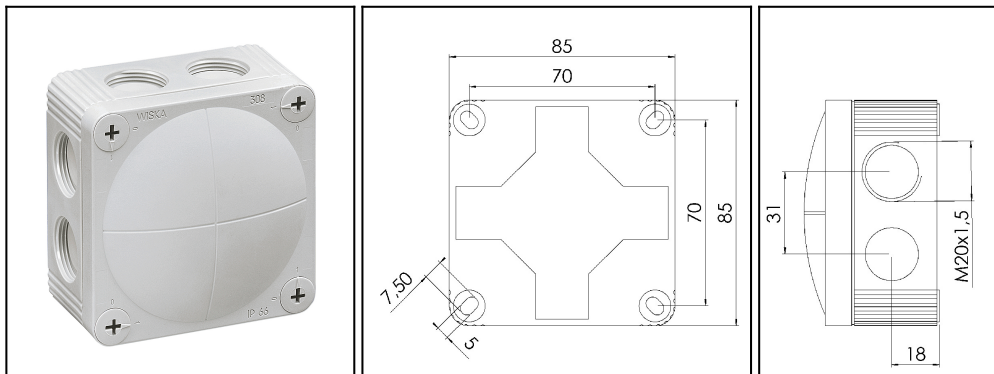


WISKA COMBI 308



- Protection class to EN 60 529:** IP 66
Flame protection: Glow wire test 750 C acc. to EN 60695-2-11
Temperature range: -5°C up to 60°C
Voltage: 400 V
Material: Polypropylene, reinforced glass fibre; Sealing: thermoplastic elastomere
Terminals/poles: 4 mm²
Fixing: With mounting clip or 4 internal openings outside of the sealing area
Equipment: 8 elastic self-sealing membranes for cable entry without mechanical devices
- 8 integrated M 20 threads, no locknuts necessary
 - 4 captive quick-release lid screws
 - Incl. mounting clip for snap-on fixing
 - Colour RAL 7035 light grey
 - .../S = black
 - .../W = white
 - .../DR = grey box with red cover
 - .../ESKV = incl. 3 pcs. ESKV M 20 (*Sealing range 6 - 13 mm)
- Accessories:**
- DN 48: screwing sleeves for fixing profile rails, WISKA-No. 60372
 - DIN RAIL KIT 108, 308: Rail TS 15 + Fixing material, WISKA-No. 60362

| Type | WISKA-No. | | | | L x B x H external/außen mm |
|-------------------|-----------|-------|---------|---|-----------------------------------|
| | | | mm | | |
| COMBI 308/leer | 10060400 | 5/100 | 3 - 12 | | 85 x 85 x 51 |
| COMBI 308/leer/S | 10060581 | 5/100 | 3 - 12 | | 85 x 85 x 51 |
| COMBI 308/leer/W | 10060610 | 5/100 | 3 - 12 | | 85 x 85 x 51 |
| COMBI 308/leer/DR | 10060480 | 5/100 | 3 - 12 | | 85 x 85 x 51 |
| COMBI 308/ESKV | 10060403 | 5/100 | 3 - 12* | | 85 x 85 x 51 |
| COMBI 308/5 | 10060401 | 5/100 | 3 - 12 | | 85 x 85 x 51 |
| COMBI 308/5/S | 10060580 | 5/100 | 3 - 12 | | 85 x 85 x 51 |
| COMBI 308/5/W | 10060611 | 5/100 | 3 - 12 | | 85 x 85 x 51 |
| COMBI 308/FK 150 | 10060530 | 5/100 | 3 - 12 | | 85 x 85 x 51 |
| COMBI 308/FK 230 | 10060520 | 5/100 | 3 - 12 | | 85 x 85 x 51 |
| COMBI 308/FK 250 | 10060521 | 5/100 | 3 - 12 | | 85 x 85 x 51 |
| DIN RAIL KIT 308 | 10060362 | 1 | — | — | -- |