

o Flat Cable Connectors SEK

o har-mik®

o D-Sub

o InduCom

Applications



## Product details

**09 18 520 5803**

**IDC female connector**

Termination	Flat cable insulation displacement
Connector size	20 contacts
IDC strain relief clamp	Without strain relief
Cover	With an open end cover
Centre polarization	With central polarisation
Performance level	AU-0.76•m [30• Inch]
RoHS compliant	Yes

### Available Downloads

Title	Format	
Data sheet	PDF	download
CAD data 2D	DXF	download

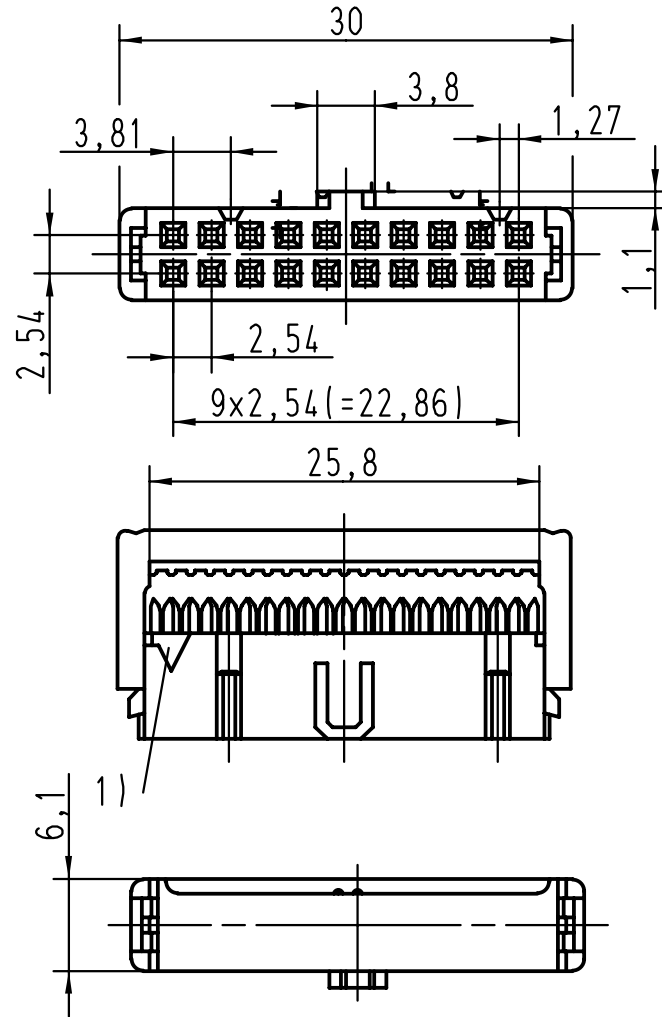
### Further links

3D-Library

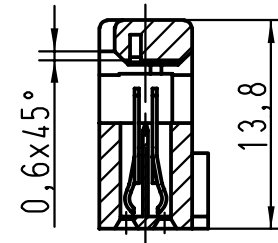


**Inquiry**

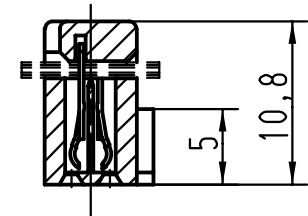
5 4 3 2 1



vorverrastet  
pre assembled  
preassemble



verrastet  
fitted  
assemble



- 1) Markierung erster Kontakt, Ader 1 des Flachkabels  
 1) Contact no.1, 1st wire of flat cable  
 1) Contact no.1, repère 1 du câble

		All Dimensions in mm Original Size DIN A 4		Techn. Character.			Nicht tolerierte Masse/ Free size tolerances	
				Detail.		SEK 18 Female connector		
09185205803		0,76 $\mu\text{m}$ Au		01-FEB-00		20 poles		
09185206803		2		01-FEB-00		with central polarisation		
09185207803		3				cover without cable stop		
Bestell-Nr. Part-No. Reference		Anforderungsstufe performance level Niveau de qualite		HARTING EURL F-95972 Paris		TB 0918520X803		
		26570 01-FEB-00 JB		Sub.		Blatt/ page 1/1		
		Mod. Dat. Name						

2:1

