

50 RCPT SP/MS STD ✓ ACTIVE

AMPLIMITE | AMPLIMITE HD-20

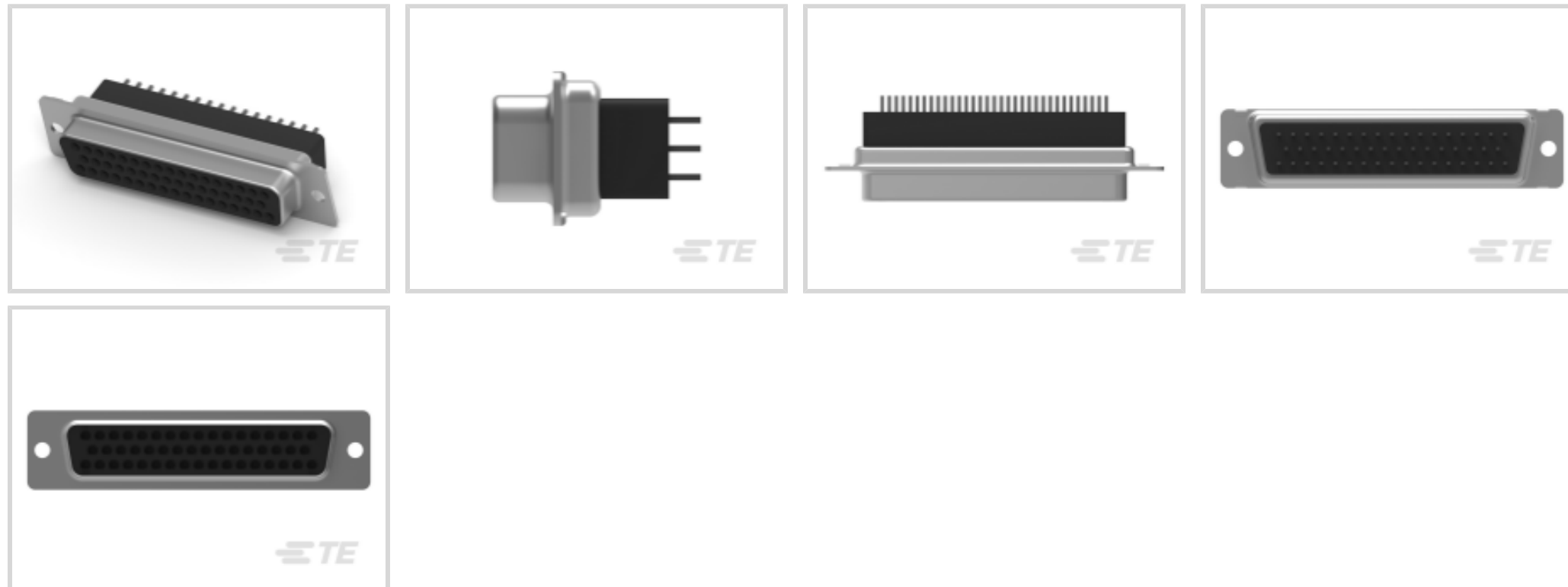
TE Part # 5745191-1

TE Internal #: 5745191-1

[View on TE.com >](#)



Connectors > D-Shaped Connectors > D-Sub Connectors > PCB D-Sub Connectors



Connector Style: **Receptacle**

Connector System: **Board-to-Board**

Number of Positions: **50**

Centerline (Pitch): **2.77 mm [.109 in]**

Number of Rows: **3**

Features

Product Type Features

Grounding Indents	Without
Grounded	No
Grounding Straps	Without
Shell Type	Full Metal Shell
Connector Style	Receptacle
Connector System	Board-to-Board
Row-to-Row Spacing	.112 in, 2.84 mm
Shell Size	5
Profile	High
Sealable	No
Connector & Contact Terminates To	Printed Circuit Board
Shielded	No
Product Type	Connector

Configuration Features

Number of Positions	50
---------------------	----

Number of Rows	3
PCB Mount Orientation	Vertical
Preloaded	Yes

Body Features

Plastic	No
Insert Material	Thermoplastic
Shell Plating Material	Tin
Shell Material	Carbon Steel
Post Size	.64 mm[.025 in]

Contact Features

Contact Underplating Material	Nickel
PCB Contact Termination Area Plating Material	Tin
Contact Base Material	Phosphor Bronze
Contact Shape	Square
Contact Current Rating (Max)	6 A
	30 μ m
Contact Mating Area Plating Material	Gold

Termination Features

Grounding Clips	Without
Termination Post Length	3.18 mm[.125 in]

Mechanical Attachment

Panel Mount Feature	Without
PCB Mounting Style	Through Hole
PCB Mount Retention	With
PCB Mount Retention Type	Mounting Hole
Mating Connector Lock	Without
Connector Mounting Type	Board Mount
Mounting Hole Diameter	3.05 mm[.12 in]

Housing Features

Centerline (Pitch)	2.77 mm[.109 in]
Housing Material	Nylon GF, PBT GF
Housing Color	Black

Dimensions

PCB Thickness (Recommended)	1.57 – 2.36 mm [.062 – .093 in]
-----------------------------	---------------------------------

Usage Conditions

Operating Temperature Range	-55 – 105 °C [-67 – 221 °F]
-----------------------------	-----------------------------

Operation/Application

Circuit Application	Signal
---------------------	--------

Industry Standards

Insert Flammability Rating	UL 94V-0
UL Flammability Rating	UL 94V-0

Packaging Features

Packaging Method	Tube
Packaging Quantity	7

Other

Comment	All receptacles are preloaded with size 20 DF posted socket contacts
---------	--

Product Compliance

[For compliance documentation, visit the product page on TE.com>](#)

EU RoHS Directive 2011/65/EU	Compliant
EU ELV Directive 2000/53/EC	Compliant
China RoHS 2 Directive MIIT Order No 32, 2016	No Restricted Materials Above Threshold
EU REACH Regulation (EC) No. 1907/2006	Current ECHA Candidate List: JAN 2019 (197) Candidate List Declared Against: JAN 2018 (181)
Halogen Content	Not Low Halogen - contains Br or Cl > 900 ppm.
Solder Process Capability	Wave solder capable to 265°C

Product Compliance Disclaimer

This information is provided based on reasonable inquiry of our suppliers and represents our current actual knowledge based on the information they provided. This information is subject to change. The part numbers that TE has identified as EU RoHS compliant have a maximum concentration of 0.1% by weight in homogenous materials for lead, hexavalent chromium, mercury, PBB, PBDE, DBP, BBP, DEHP, DIBP, and 0.01% for cadmium, or qualify for an exemption to these limits as defined in the Annexes of Directive 2011/65/EU (RoHS2). Finished electrical and electronic equipment products will be CE marked as required by Directive 2011/65/EU. Components may not be CE marked. Additionally, the part numbers that TE has identified as EU ELV compliant have a maximum concentration of 0.1% by weight in homogenous materials for lead, hexavalent chromium, and mercury, and 0.01% for cadmium, or qualify for an exemption to these limits as defined in the Annexes of Directive 2000/53/EC (ELV). Regarding the REACH Regulations, TE's information on SVHC in

articles for this part number is still based on the European Chemical Agency (ECHA) 'Guidance on requirements for substances in articles'(Version: 2, April 2011), applying the 0.1% weight on weight concentration threshold at the finished product level. TE is aware of the European Court of Justice ruling of September 10th, 2015 also known as O5A (Once An Article Always An Article) stating that, in case of 'complex object', the threshold for a SVHC must be applied to both the product as a whole and simultaneously to each of the articles forming part of its composition. TE has evaluated this ruling based on the new ECHA "Guidance on requirements for substances in articles" (June 2017, version 4.0) and will be updating its statements accordingly.

Compatible Parts




TE Part # 1658607-1
50 POS HDF PLUG, MS,
LEAD FREE



TE Part # 206509-1
SIZE 20 KEYING PLUG

Also in the Series | AMPLIMITE HD-20



Board-to-Board Connector
Contacts(1)

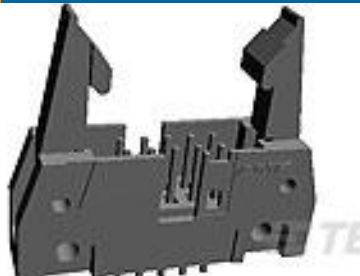


PCB D-Sub Connectors
(353)

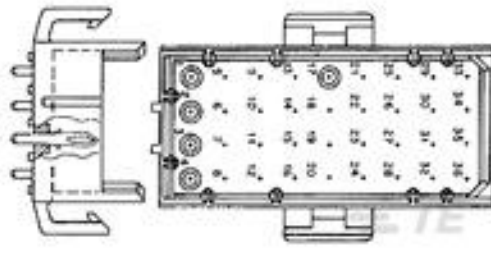
Customers Also Bought



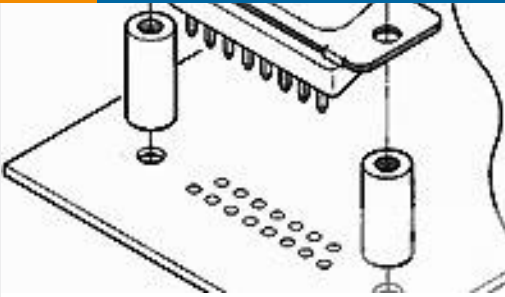
TE Part #5745414-1
50 PLUG SP/MS STD



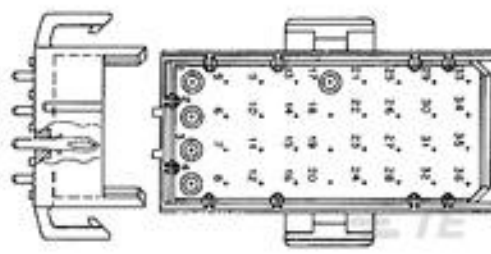
TE Part #1-5499923-0
A/L UNIV HDR 50P VERT
LG LAT



TE Part #2-640497-4
02P MR HDR ASSY VO
RED LF



TE Part #5205933-3
BUSHING KIT



TE Part #640497-3
02P MR HDR ASSY V0 RED



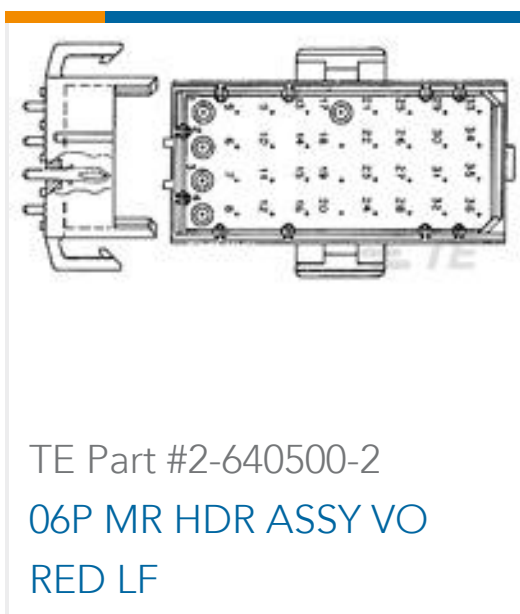
TE Part #1658641-1
HDP-20,PLUG,SIZE 5, 50
POSN



TE Part #5745414-7
50 PLUG SP/MS STD



TE Part #745191-1
50 RCPT SP/MS STD



Documents

Product Drawings

[50 RCPT SP/MS STD](#)

English

CAD Files

[3D PDF](#)

3D

Customer View Model

[ENG_CVM_CVM_5745191-1_B.2d_dxf.zip](#)

English

Customer View Model

[ENG_CVM_CVM_5745191-1_B.3d_igs.zip](#)

English

Customer View Model

[ENG_CVM_CVM_5745191-1_B.3d_stp.zip](#)

English

Datasheets & Catalog Pages

[AMPLIMITE Subminiature D Connectors - Straight Posted Connectors](#)

English

Product Specifications

[Application Specification](#)

English

Product Environmental Compliance

[TE Material Declaration](#)

English