



Telephone: 01604 677240
sales@igus.co.uk
www.igus.co.uk

Caswell Road
Northampton
NN4 7PW

Rod ends, female thread, stainless steel 304 grade housing with igus polymer W300 K spherical ball press fitted into the housing according to DIN ISO 12240

Maintenance-free dry operation

High rigidity

Very high durability in varying loads

Compensation of misalignment errors

Compensation of edge loads

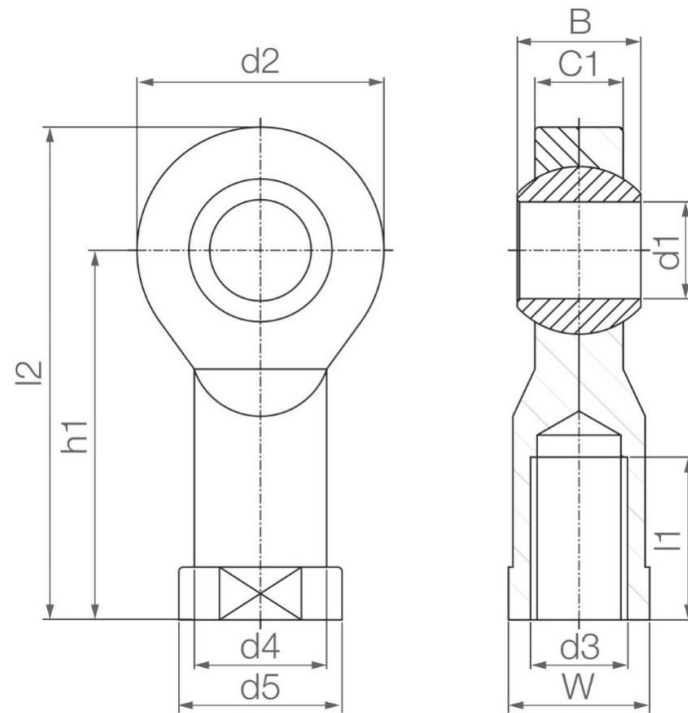
Resistant to dirt, dust and lint

Resistant to corrosion and chemicals

High vibration-dampening

Suitable for rotating, oscillating and linear movements

Very lightweight

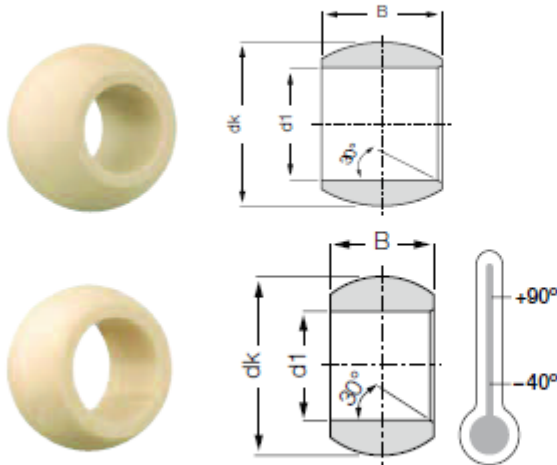


Part No. (left hand KBLM)	dimensions mm											dynamic load N	static load N
	d1	d2	h1	l2	d4	d5	b	D	d3	W	l1		
KBRM-10-ES-CL	10	28	44	58	15	19	14	10.5	M10X1.5	17	20	3150	6300
KBRM-12-ES-CL	12	32	50	66	17.5	22	16	12	M12X1.75	19	22	4320	8640
KBRM-14-ES-CL	14	36	57	75	20	25	19	13.5	M14X2	22	25	5670	11340
KBRM-16-ES-CL	16	42	64	85	21	26.5	21	15	M16X2	22	28	7200	14400
KBRM-18-ES-CL	18	46	71	93	24.5	30.5	23	16.5	M18X1.5	26.5	32	8910	17820
KBRM-20-ES-CL	20	50	77	102	27	34	25	18	M20X1.5	31	33	10800	21600
KBRM-22-ES-CL	22	54	84	111	30	37	28	20	M22X1.5	31	37	13200	26400
KBRM-25-ES-CL	25	60	94	124	33.5	42	31	22	M24X2	36	42	16500	33000
KBRM-30-ES-CL	30	70	110	145	40	51	37	25	M30X2	41	51	22500	45000

igubal® spherical balls | Product range

igubal®
spherical
balls

Standard spherical balls: WKM and WEM



Order key

Type	Size [mm]	Options
W ... M - 02 - 04		
igubal® W300 spherical balls	Dimensional series	Series
	Metric	K: series K E: series E
	Inner-Ø d1	
	Width	

Imperial dimensions available
▶ Page 1454

Dimensions [mm]

Part No.	d1 E10	dK	B	Weight [g]
WKM-02-04	2.00	5.10	4.00	0.1
WKM-03-06	3.00	8.10	6.00	0.3
WKM-05-08	5.00	11.30	8.00	0.6
WKM-06-09	6.00	12.80	9.00	0.9
WKM-08-12	8.00	16.00	12.00	1.6
WKM-10-14	10.00	19.00	14.00	2.7
WKM-12-16	12.00	22.10	16.00	4.0
WKM-14-19	14.00	25.40	19.00	6.0
WKM-16-21	16.00	28.40	21.00	8.2
WKM-18-23	18.00	31.50	23.00	10.8
WKM-20-25	20.00	35.10	25.00	14.5
WKM-22-28	22.00	38.30	28.00	18.7
WKM-25-31	25.00	42.90	31.00	26.0
WKM-30-37	30.00	51.20	37.00	44.7

Dimensions [mm]

Part No.	d1 E10	dK	B	Weight [g]
WEM-04-05	4.00	8.30	5.00	0.2
WEM-05-06	5.00	10.30	6.00	0.3
WEM-06-06	6.00	10.30	6.00	0.4
WEM-08-08	8.00	13.30	8.00	0.7
WEM-10-09	10.00	16.10	9.00	1.2
WEM-12-10	12.00	18.10	10.00	1.5
WEM-15-12	15.00	22.00	12.00	2.4
WEM-16-13	16.00	24.10	13.00	3.3
WEM-17-14	17.00	25.10	14.00	3.7
WEM-20-16	20.00	29.10	16.00	5.3
WEM-25-20	25.00	35.60	20.00	9.5
WEM-30-22	30.00	40.90	22.00	12.1



3D-CAD files, prices and delivery time online ▶ www.igus.eu/spherical-balls 767