

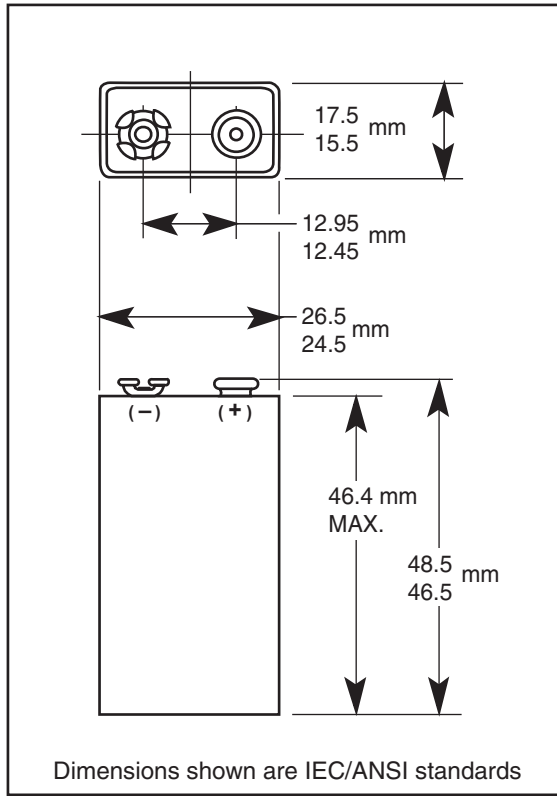


PC 1604

Size: 9V (6LR61)

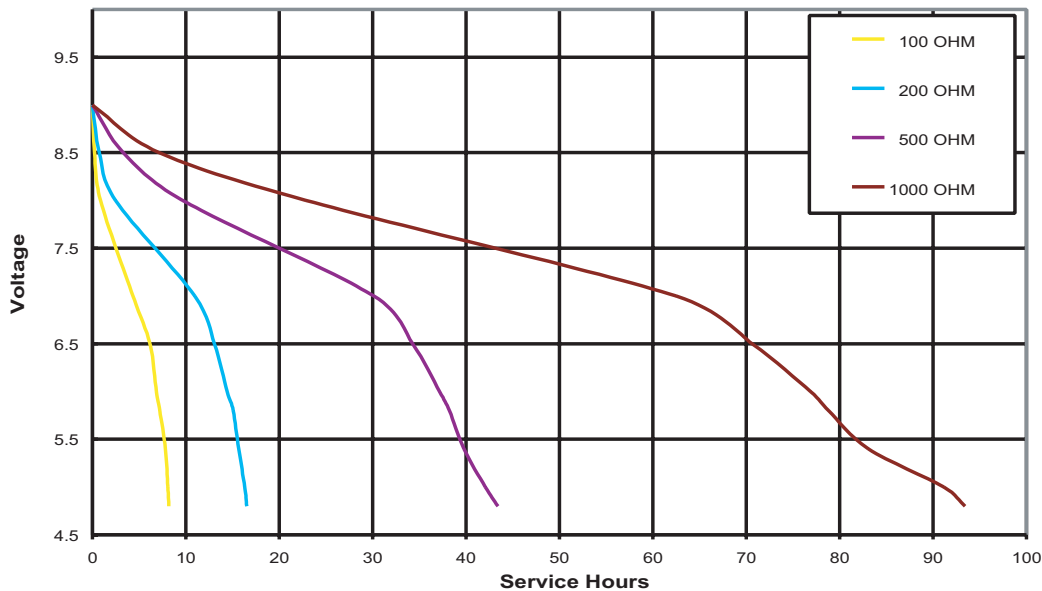
Zn/MnO₂

Alkaline-Manganese Dioxide Battery



| | |
|-------------------------------------|---|
| Nominal Voltage: | 9 V |
| Nominal Internal Impedance: | 1,700 m-ohm @ 1kHz |
| Average Weight: | 45 gm (1.6 oz.) |
| Volume: | 22.8 cm ³ (1.39 in. ³) |
| Terminals: | Miniature Snap |
| Operating Temperature Range: | -20°C to 54°C (-4°F to 130°F) |
| NEDA/ANSI: | 1604A |
| IEC: | 6LR61 |

TYPICAL DISCHARGE CHARACTERISTICS AT 21 °C (70°F)



* Delivered capacity is dependent on the applied load, operating temperature and cut-off voltage. Please refer to the charts and discharge data shown for examples of the energy / service life that the battery will provide for various load conditions.

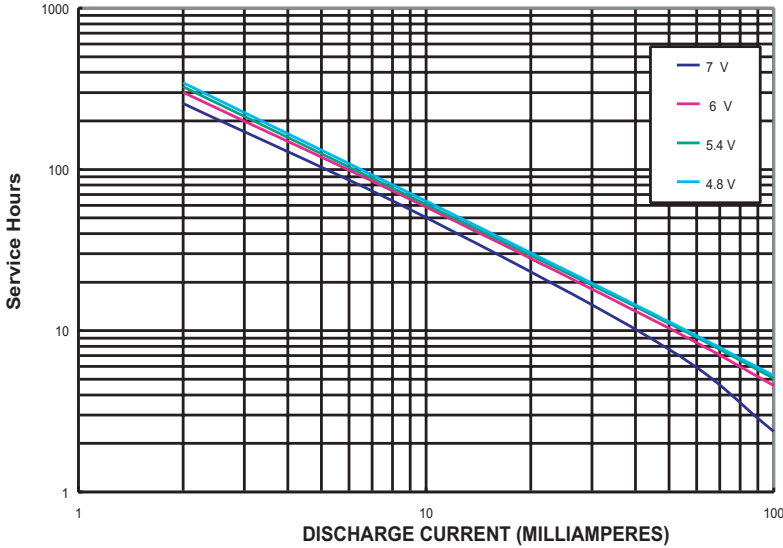


Alkaline-Manganese Dioxide Battery

PC 1604
Size: 9V (6LR61)

Zn/MnO₂

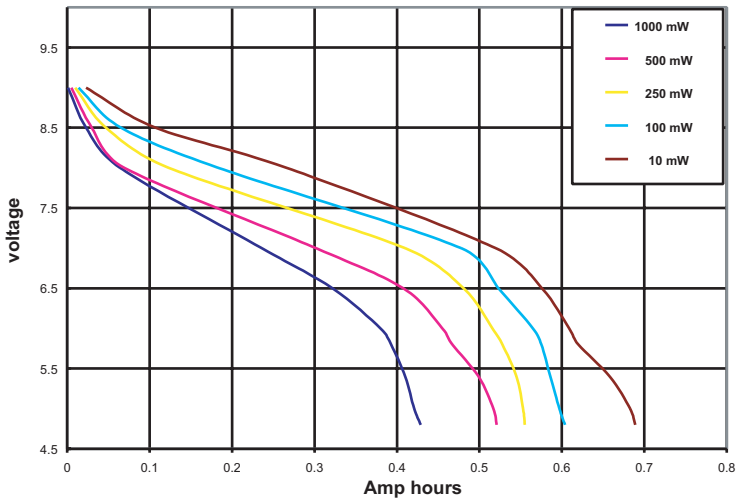
TYPICAL CONSTANT CURRENT DISCHARGE CHARACTERISTICS AT 21°C (70°F)



TYPICAL DISCHARGE CHARACTERISTICS AT 21°C (70°F)



TYPICAL DISCHARGE CHARACTERISTICS AT 21°C (70°F)



DURACELL[®]
BATTERIES

Berkshire Corporate Park
Bethel, CT 06801 U.S.A.
Telephone: Toll-free 1-800-544-5454
Internet: www.duracell.com

* Delivered capacity is dependent on the applied load, operating temperature and cut-off voltage. Please refer to the charts and discharge data shown for examples of the energy / service life that the battery will provide for various load conditions.