

Integrated signal lamp, rotating light, with integrated LED, blue, 24 V AC/DC, Diameter 70 mm







General technical data	
<b>Product designation</b>	Rotating light element
<b>Consumed current maximum</b>	40 mA
<b>Type of voltage</b>	
• of the operating voltage	AC/DC
<b>Operating voltage</b>	
• 1 at DC rated value	24 V
• 1 at AC at 50 Hz rated value	24 V
• 1 at AC at 60 Hz rated value	24 V
<b>Relative positive tolerance of the operating voltage</b>	10 %
<b>Relative negative tolerance of the operating voltage</b>	-10 %
<b>Speed</b>	120 1/min
<b>Reference code</b>	
• acc. to DIN EN 81346-2	P
<b>Mounting type</b>	Bayonet / flush mounting
<b>Material</b>	PC; PC/ABS; PA
<b>Color</b>	blue
Mechanical data	

Product component Light source	Yes
Type of electrical connection	screw-type terminals
Outer diameter of the signal column element	75 mm

Lamp	
Design of the optical signal	rotating light
Type of light source	LED
Light intensity	2.7 cd
Service life of LED	100 000 h

Ambient conditions	
Ambient temperature during operation	-20 ... +50 °C
Protection class IP	IP65
Depth	31 mm
Height	66 mm
Width	75 mm

#### Certificates/ approvals

General Product Approval	EMC	Declaration of Conformity	other
 UL		 RCM	 EG-Konf.
			<a href="#">Miscellaneous</a> <a href="#">Confirmation</a>

#### Further information

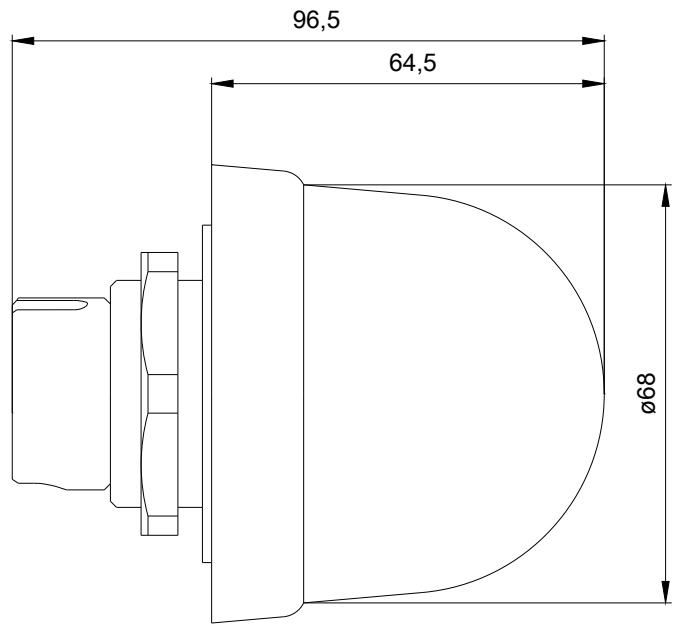
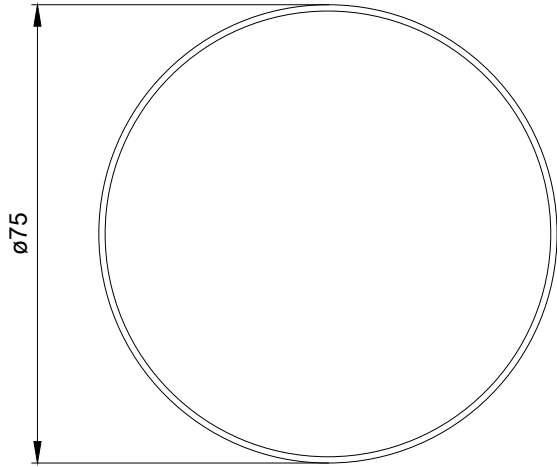
**Information- and Downloadcenter (Catalogs, Brochures,...)**  
[www.siemens.com/sirius/catalogs](http://www.siemens.com/sirius/catalogs)

**Industry Mall (Online ordering system)**  
<https://mall.industry.siemens.com/mall/en/en/Catalog/product?mlfb=8WD5320-5DF>

**Cax online generator**  
<http://support.automation.siemens.com/WW/CAXorder/default.aspx?lang=en&mlfb=8WD5320-5DF>

**Service&Support (Manuals, Certificates, Characteristics, FAQs,...)**  
<https://support.industry.siemens.com/cs/ww/en/ps/8WD5320-5DF>

**Image database (product images, 2D dimension drawings, 3D models, device circuit diagrams, EPLAN macros, ...)**  
[http://www.automation.siemens.com/bilddb/cax\\_de.aspx?mlfb=8WD5320-5DF&lang=en](http://www.automation.siemens.com/bilddb/cax_de.aspx?mlfb=8WD5320-5DF&lang=en)



SIEMENS

last modified:

09/13/2019