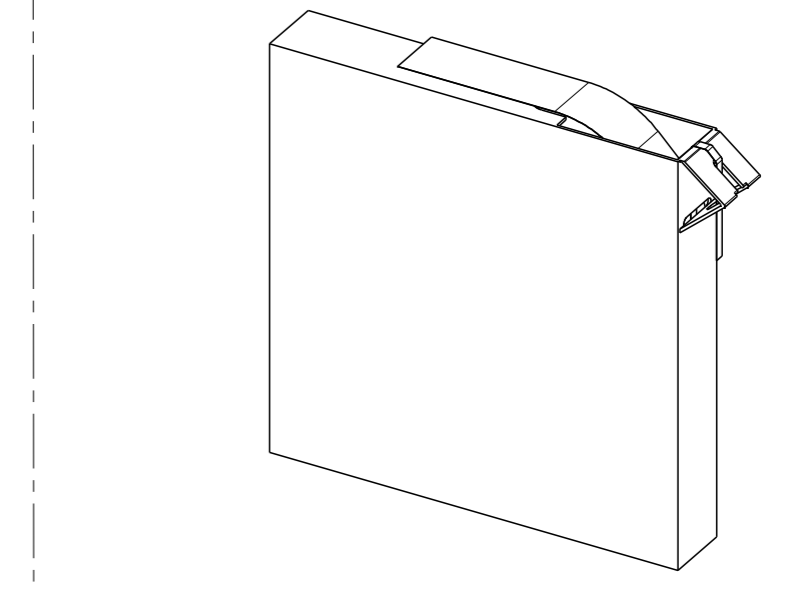
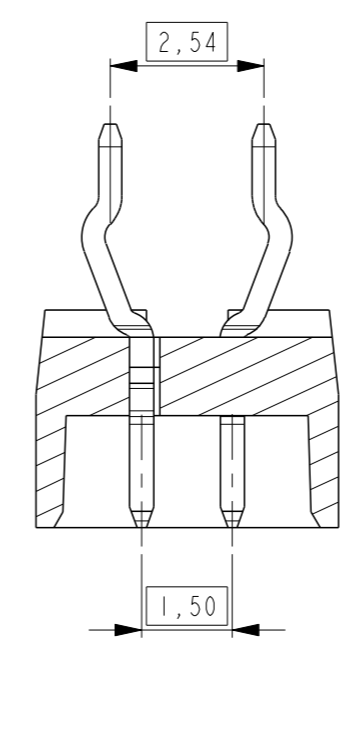
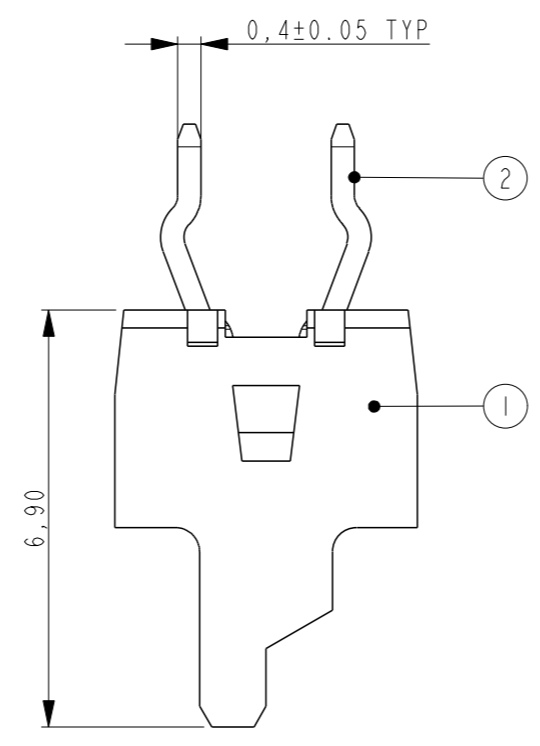
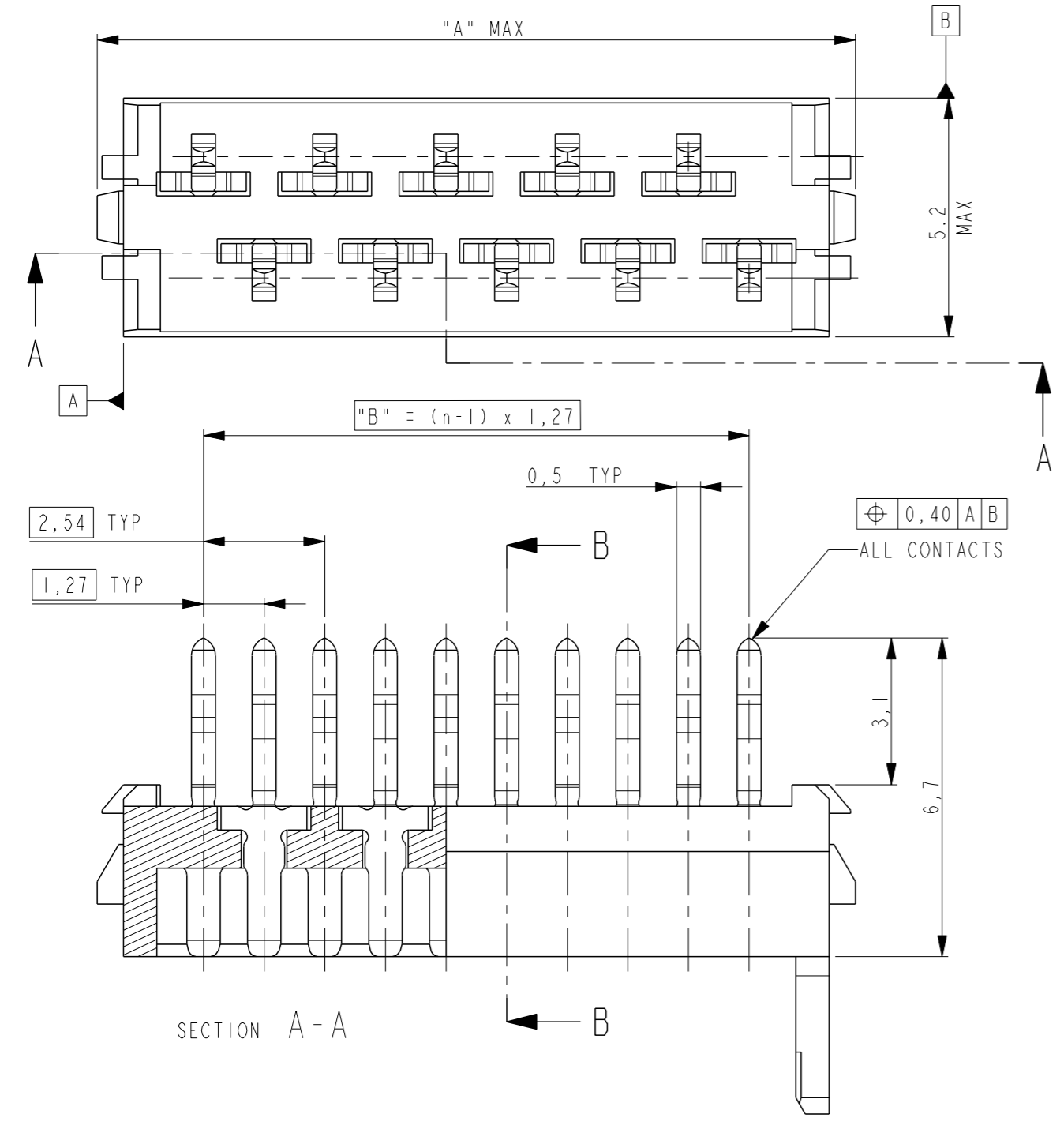
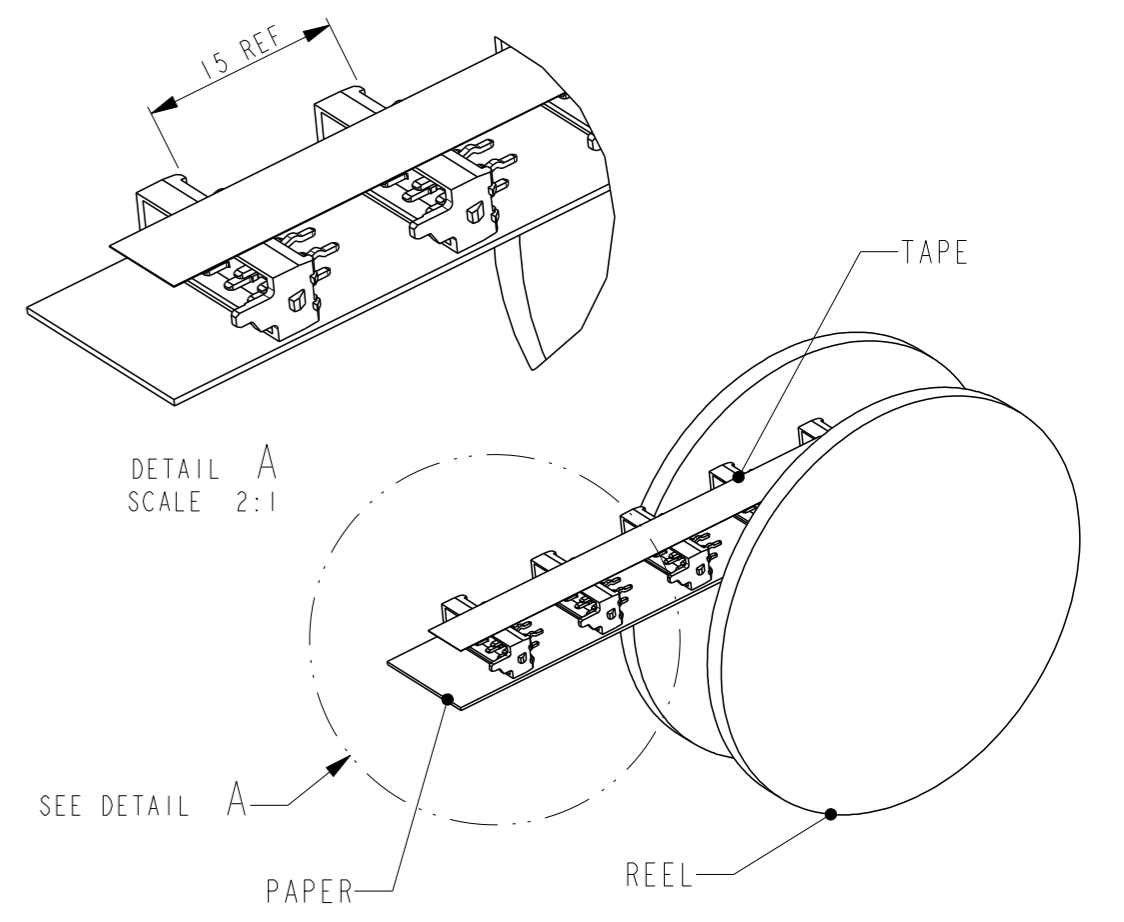
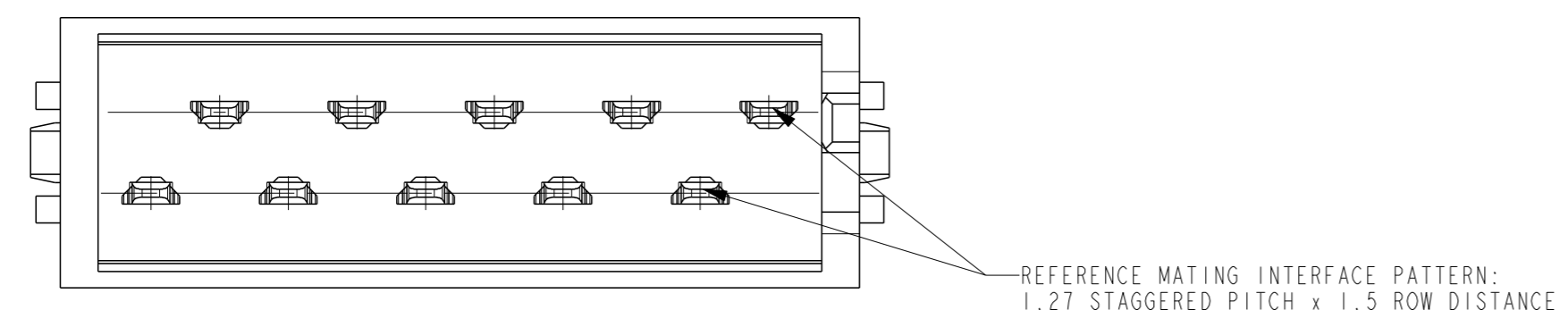


LOC		DIST		REVISIONS				
P	LTR	DESCRIPTION	DATE	DWN	APVD			
H	-	M2	DIMENSION AND TOLERANCE ADDITION/CORRECTION	2-8-11	SP	RP		

PART NUMBER REEL PACKAGING	PART NUMBER BOX PACKAGING	NUMBER OF POSITIONS	"A" MAX	"B"
0-215464-4	7-215464-4	4	8.3	3.81
0-215464-6	7-215464-6	6	10.9	6.35
0-215464-8	7-215464-8	8	13.4	8.89
1-215464-0	8-215464-0	10	15.9	11.43
1-215464-2	8-215464-2	12	18.5	13.97
1-215464-4	8-215464-4	14	21.0	16.51
1-215464-6	8-215464-6	16	24.0	19.05
1-215464-8	8-215464-8	18	26.1	21.59
2-215464-0	9-215464-0	20	28.6	24.13

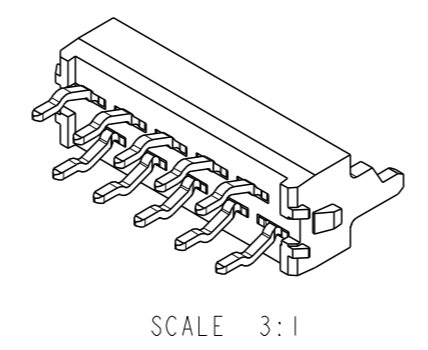
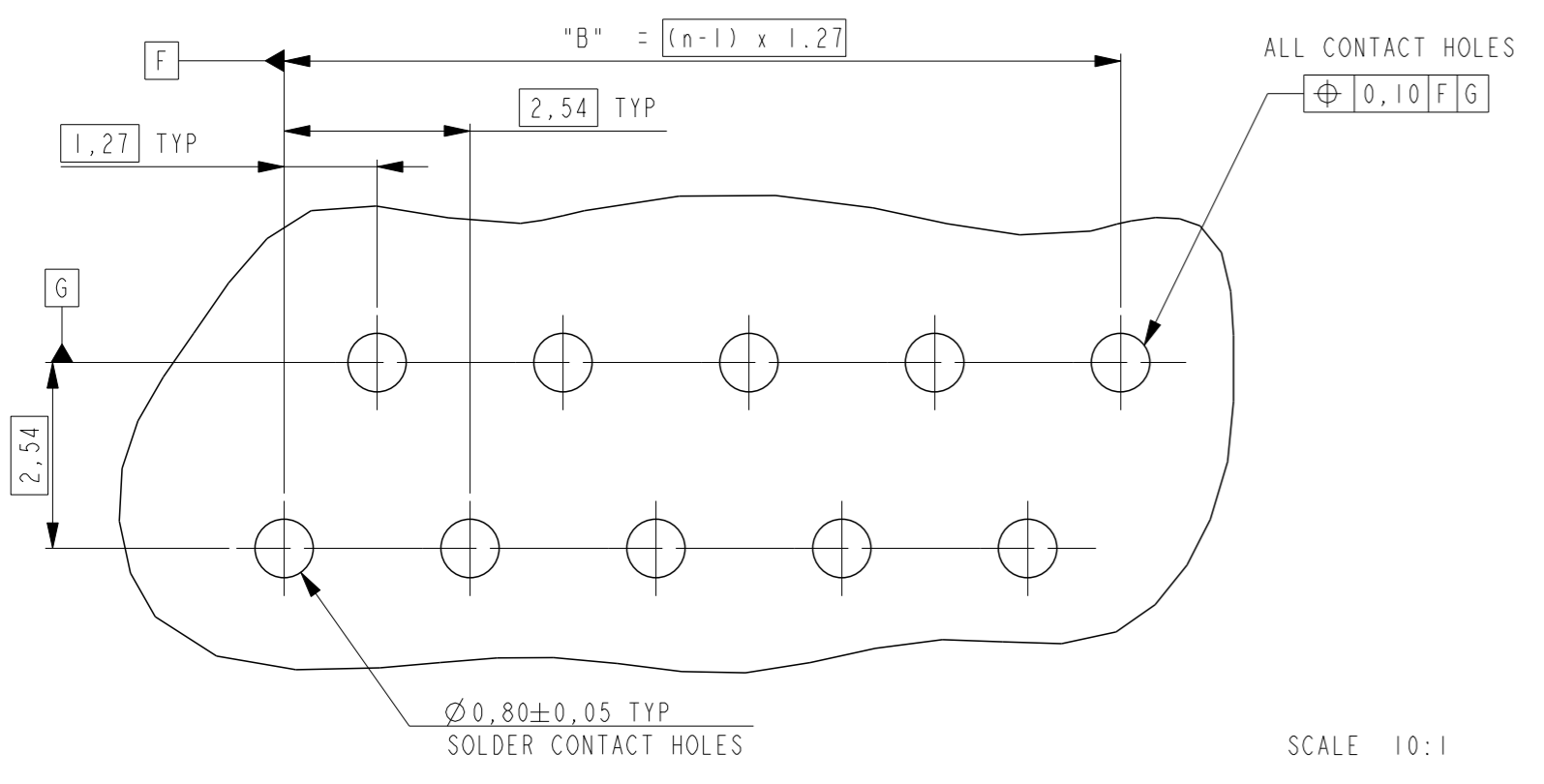


SCALE 3:10
 BOX PACKAGING
 250 PARTNUMBERS PER BOX
 FOR ALL PARTNUMBERS.



REEL PACKAGING
 DEREELING DIRECTION AND CONNECTOR POSITION
 2500 CONNECTORS PER REEL FOR ALL PART NUMBERS

PC-BOARD HOLE LAYOUT
 (COMPONENT SIDE OF BOARD SHOWN)



SHOWN IS A 10 POSITION
 CONNECTOR (1-215464-0).

SCALE 3:1

THIS DRAWING IS A CONTROLLED DOCUMENT.	
DIMENSIONS: mm	TOLERANCES UNLESS OTHERWISE SPECIFIED:
	0 PLC ±
	1 PLC ±0.1
	2 PLC ±0.20
	3 PLC ±
MATERIAL SEE TABLE	4 PLC ±
	ANGLES ±
	FINISH ±
	SEE TABLE

2	MALE CONTACT	PHOSPHOR BRONZE	TIN OVER NICKEL
1	HOUSING	G.F POLYESTER, PBT	RED
ITEM NO.	DESCRIPTION	MATERIAL	FINISH / COLOR
DWN J. VAN DREUMEL	15-04-1992		
CHK H. KOKKEN			
APVD			
PRODUCT SPEC	TE Connectivity		
APPLICATION SPEC	Micro-MaTch MALE-ON-BOARD LONG POST, POLARIZED		
WEIGHT	SIZE	CAGE CODE	DRAWING NO
	A2	00779	C=215464
CUSTOMER DRAWING	SCALE	SHEET	REV
	8:1	1 OF 1	M2