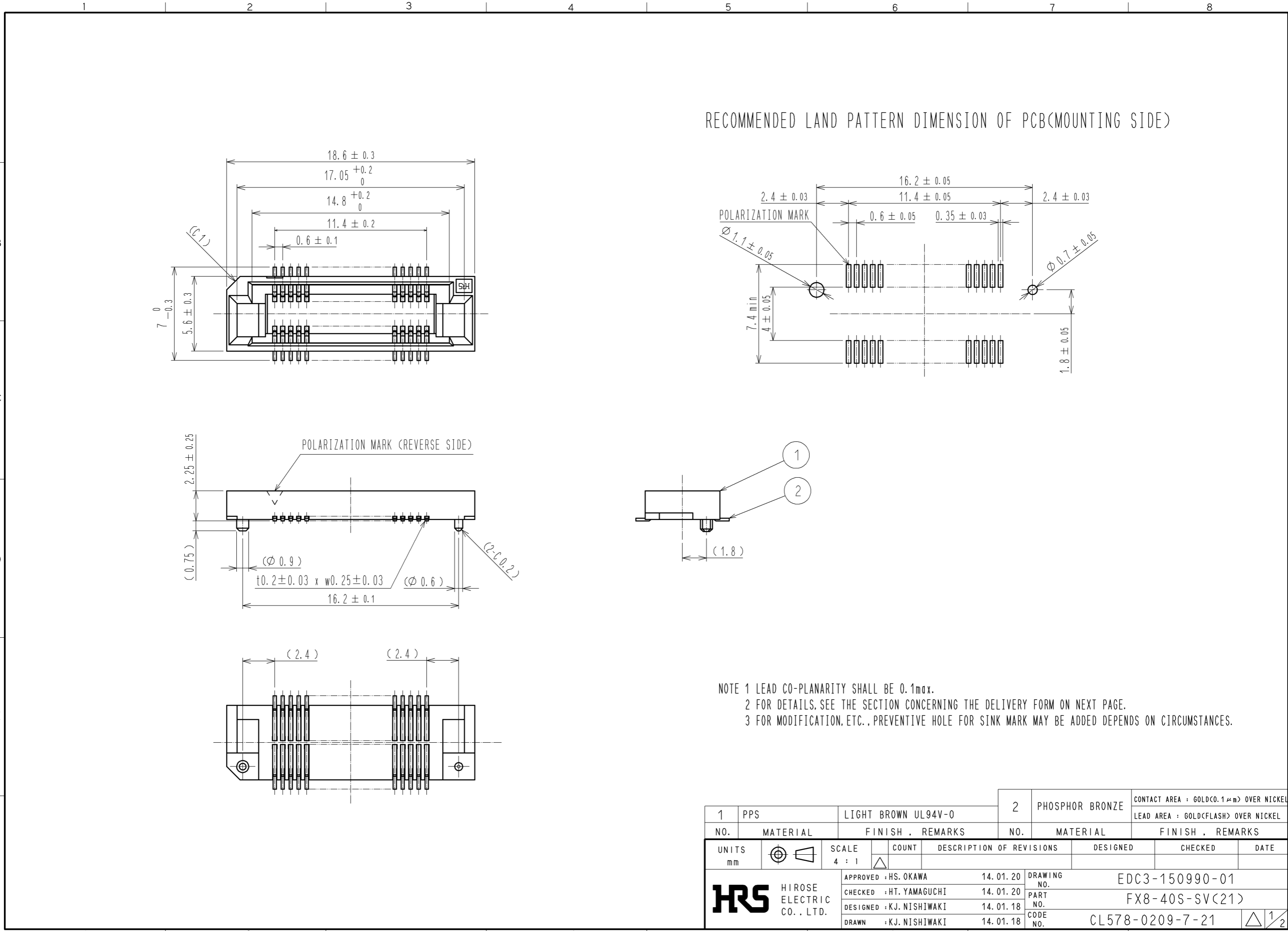


2016/04/01 10:18:36 (JST) EK, UCHIYAMA

DRAWING FOR REFERENCE: This is subject to change without notice

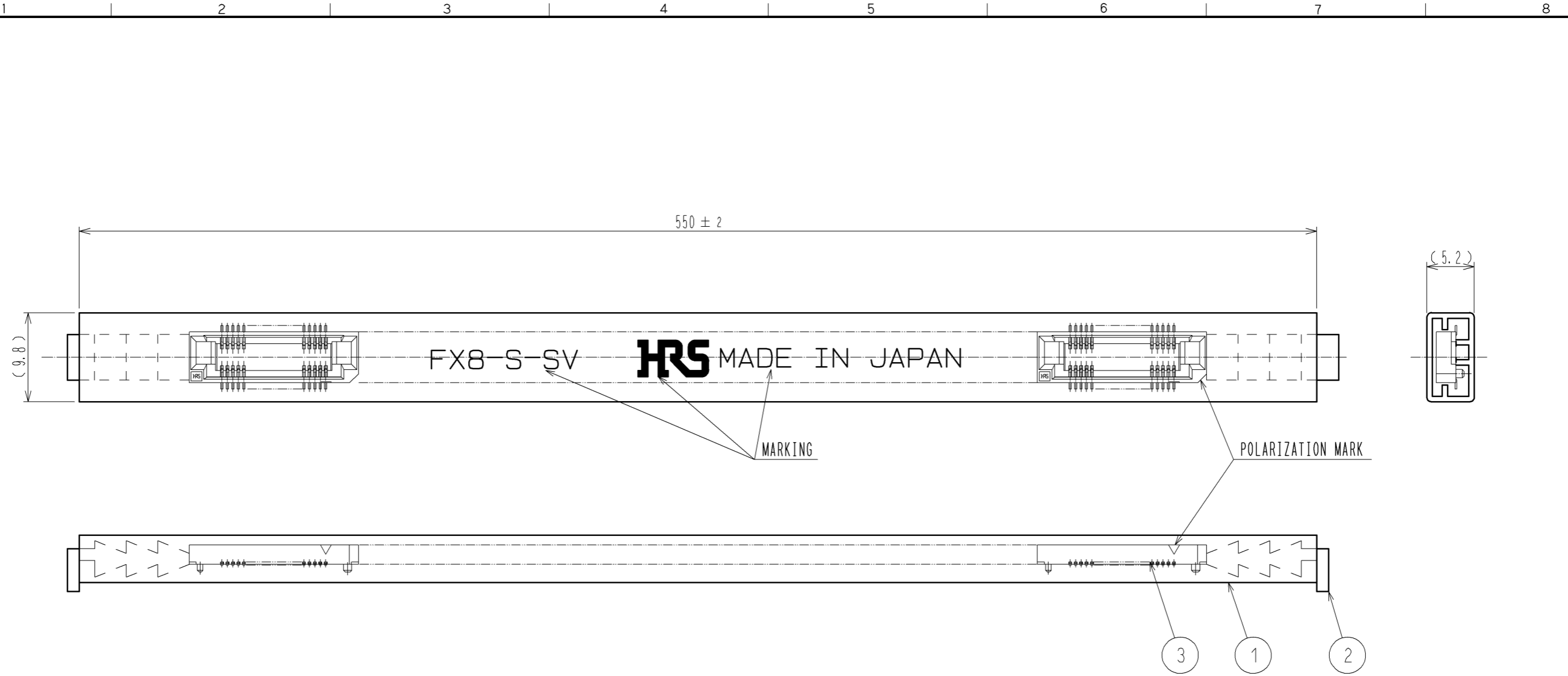
TO
PCM

COUNT	DESCRIPTION OF REVISIONS	BY	CHKD	DATE	COUNT	DESCRIPTION OF REVISIONS	BY	CHKD	DATE
APPLICATION STANDARD									
RATING	OPERATING TEMPERATURE RANGE	-55 °C TO +85 °C			STORAGE TEMPERATURE RANGE	— °C TO — °C			
	VOLTAGE	100 V AC			OPERATING HUMIDITY RANGE	— % TO — %			
	CURRENT	0.4 A			APPLICABLE CABLE	—			
SPECIFICATIONS									
ITEM		TEST METHOD			REQUIREMENT			QT	AT
CONSTRUCTION									
GENERAL EXAMINATION		VISUALLY AND BY MEASURING INSTRUMENT.			ACCORDING TO DRAWING			○	○
MARKING		CONFIRMED VISUALLY						○	-
ELECTRICAL CHARACTERISTICS									
CONTACT RESISTANCE		100 mA (DC OR 1000 Hz)			45 mΩ MAX.			○	-
CONTACT RESISTANCE MILLIVOLT LEVEL METHOD		20 mV MAX, 1 mA (DC OR 1000 Hz)			55 mΩ MAX.			○	-
INSULATION RESISTANCE		250 V DC			100 MΩ MIN.			○	-
VOLTAGE PROOF		300 V AC FOR 1 min.			NO FLASHOVER OR BREAKDOWN			○	-
MECHANICAL CHARACTERISTICS									
CONTACT INSERTION AND EXTRACTION FORCES		BY STEEL GAUGE.			INSERTION FORCE: N MAX. EXTRACTION FORCE: N MIN.			-	-
INSERTION AND WITHDRAWAL FORCES		MEASURED BY APPLICABLE CONNECTOR.			INSERTION FORCE: (0.7 × ※※) N MAX. WITHDRAWAL FORCE: (0.065 × ※※) N MIN.			○	-
MECHANICAL OPERATION		50 TIMES INSERTION AND EXTRACTIONS.			1) CONTACT RESISTANCE: 55 mΩ MAX. 2) NO DAMAGE, CRACK AND LOOSENESS OF PART.			○	-
VIBRATION		FREQUENCY: 10 TO 55 Hz, SINGLE AMPLITUDE: 0.75 mm, - m/s ² AT 2 h FOR 3 DIRECTIONS.			1) NO ELECTRICAL DISCONTINUITY OF 1 μs 2) CONTACT RESISTANCE: 55 mΩ MAX. 3) NO DAMAGE, CRACK AND LOOSENESS OF PART.			○	-
SHOCK		490 m/s ² DURATION OF PULSE 11 ms AT 3 TIMES FOR 3 DIRECTIONS.						○	-
ENVIRONMENTAL CHARACTERISTICS									
DAMP HEAT (STEADY STATE)		EXPOSED AT 40±2 °C, 90~95 %, 96 h.			1) CONTACT RESISTANCE: 55 mΩ MAX. 2) INSULATION RESISTANCE: 100 MΩ MIN.			○	-
RAPID CHAGE OF TEMPERTURE		TEMPERTURE -55→+5~+35→+85→+5~+35°C TIME 30→10~15→30→10~15 min. UNDER 5 CYCLES.			3) NO DAMAGE, CRACK AND LOOSENESS OF PART.			○	-
DAMP HEAT,CYCLIC		EXPOSED AT TO °C, TO % ,TOTAL CYCLES(h).			1) CONTACT RESISTANCE: mΩ MAX. 2) INSULATION RESISTANCE: MΩ MIN.(AT HIGH HUMIDITY) 3) INSULATION RESISTANCE: MΩ MIN.(AT DRY) 4) NO DAMAGE, CRACK AND LOOSENESS OF PART.			-	-
DRY HEAT		EXPOSED AT °C, h.			1) CONTACT RESISTANCE: mΩ MAX. 2) NO DAMAGE, CRACK AND LOOSENESS OF PART.			-	-
CORROSION SALT MIST		EXPOSED IN 5 % SALT WATER SPRAY FOR 48 h.			1) CONTACT RESISTANCE: 55 mΩ MAX. 2) NO HEAVY CORROSION.			○	-
HYDROGEN SULPHIDE		EXPOSED IN 3 PPM FOR 96 h. (TEST STANDARD:JEIDA-38)						○	-
SULPHUR DIOXIDE		EXPOSED IN PPM FOR h. (TEST STANDARD:JEIDA-39)						-	-
RESISTANCE TO SOLDERING HEAT		SOLDER TEMPERATURE, °C FOR IMMERSION, DURATION, s.			NO DEFORMATION OF CASE OF EXCESSIVE LOOSENESS OF THE TERMINAL.			-	-
SOLDRABILITY		SOLDERED AT SOLDER TEMPERATURE, °C FOR IMMERSION DURATION, s.			A NEW UNIFORM COATING OF SOLDER SHALL COVER A MINIMUM OF 95 % OF THE SURFACE BEING IMMersed.			-	-
REMARKS				DRAWN	DESIGNED	CHECKED	APPROVED	RELEASED	
UNLESS OTHERWISE SPECIFIED, REFER TO JIS C 5402.				<i>G. Morita</i> '95.10.31	<i>J. Matsukawa</i> '95.10.31	<i>M. Tomita</i> '95.11.1	<i>Y. Yamamura</i> '95.11.1		
NOTE QT: QUALIFICATION TEST AT: ASSURANCE TEST ○: APPLICABLE TEST									
HRS HIROSE ELECTRIC CO.,LTD.		SPECIFICATION SHEET			PART NO. FX8-※※S-SV(21)				
CODE NO.(OLD) CL		DRAWING NO. SLC4-150730-01			CODE NO. CL 578 -		1 1		



NOTE 1 LEAD CO-PLANARITY SHALL BE 0.1max.
 2 FOR DETAILS, SEE THE SECTION CONCERNING THE DELIVERY FORM ON NEXT PAGE.
 3 FOR MODIFICATION, ETC., PREVENTIVE HOLE FOR SINK MARK MAY BE ADDED DEPENDS ON CIRCUMSTANCES.

1	PPS	LIGHT BROWN UL94V-0	2	PHOSPHOR BRONZE	CONTACT AREA : GOLD(0.1μm) OVER NICKEL
NO.	MATERIAL	FINISH . REMARKS	NO.	MATERIAL	LEAD AREA : GOLD(FLASH) OVER NICKEL
UNITS mm		SCALE 4 : 1	COUNT 	DESCRIPTION OF REVISIONS	DESIGNED
HRS HIROSE ELECTRIC CO., LTD.		APPROVED : HS. OKAWA	14. 01. 20	DRAWING NO.	EDC3-150990-01
		CHECKED : HT. YAMAGUCHI	14. 01. 20	PART NO.	FX8-40S-SV(21)
		DESIGNED : KJ. NISHIWAKI	14. 01. 18	CODE NO.	CL578-0209-7-21
		DRAWN : KJ. NISHIWAKI	14. 01. 18		



NOTE 1 THE DIMENSIONS IN PARENTHESES ARE FOR REFERENCE.
 2 TUBE : 28 CONNECTORS.

3	(CONNECTOR)	
2	POLYVINYLCHLORIDE	STOPPER
1	POLYVINYLCHLORIDE	TUBE
NO.	MATERIAL	FINISH . REMARKS

HRS	DRAWING NO.	EDC3-150990-01	
	PART NO.	FX8-40S-SV(21)	
	CODE NO.	CL578-0209-7-21	△ 2/2