



# Material Safety Data Sheet



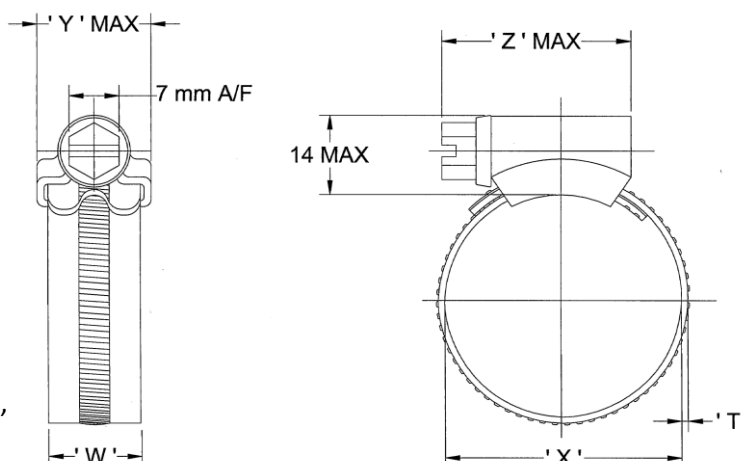
## Section 1 Company and Product Identification

L. Robinson & Company (Gillingham) Limited,  
 Incorporating Jubilee® Clips Limited  
 Owens Way, Gads Hill,  
 Gillingham,  
 Kent,  
 ME7 2RS, UK

Tel: +44 (0)1634 281200  
 Fax: +44 (0)1634 280101

[http:// www.jubileeclips.co.uk](http://www.jubileeclips.co.uk)

Jubilee® Original 304 Stainless Steel (W4) Range,  
 manufactured to BS5315:1991



RS Part Number	Jubilee Part Number	BS No	Adjustment		Band Width (W)	Band Thickness (T)	(Z)	(Y)	Recommended Torque	Max Torque	Recommended Max Pressure
			mm	Inches	mm	mm	mm	mm	Nm	Nm	PSI
9089100	000SS	12	9.5- 12	3/8 - 1/2	9.9	0.762	20.5	12.5	3.4	4.5	203
9089119	M00SS	16	11- 16	1/2 - 5/8	9.9	0.762	20.5	12.5	3.4	4.5	203
9089112	00SS	20	13- 20	1/2 - 3/4	9.9	0.762	20.5	12.5	3.4	4.5	203
9089116	0SS	22	16- 22	5/8 - 7/8	13	0.914	24.5	16	4.2	5.6	203
9089125	0XSS	25	18- 25	3/4 - 1	13	0.914	24.5	16	4.2	5.6	203
9089128	1ASS	30	22- 30	7/8 - 1 1/8	13	0.914	24.5	16	5.1	6.8	203
9089122	1SS	35	25- 35	1 - 1 1/8	13	0.914	24.5	16	5.1	6.8	102
9089131	1XSS	40	30- 40	1 1/8 - 1 3/8	13	0.914	29	16	5.1	6.8	102
9089134	1MSS	45	32- 45	1 1/4 - 1 3/4	13	0.914	29	16	5.1	6.8	102
9089138	2ASS	50	35- 50	1 1/2 - 2	13	0.914	29	16	5.9	7.9	102
9089147	2SS	55	40- 55	1 5/8 - 2 1/8	13	0.914	33	16	5.9	7.9	102
9089140	2XSS	60	45- 60	1 3/4 - 2 1/4	13	0.914	33	16	5.9	7.9	102
9089144	3SS	70	55- 70	2 1/8 - 2 3/4	13	0.914	33	16	6.7	9	102
9089153	3XSS	80	60- 80	2 3/8 - 3 1/4	13	0.914	33	16	6.7	9	44
9089156	4SS	90	70- 90	2 1/2 - 3 1/2	13	0.914	33	16	6.7	9	44
9089150	4XSS	100	85-100	3 1/4 - 4	13	0.914	33	16	6.7	9	44
9089169	5SS	120	90-120	3 1/2 - 4 1/4	13	0.914	33	16	6.7	9	44
9089162	6SS	140	110-140	4 1/8 - 5 1/2	13	0.914	33	16	6.7	9	44
9089166	6XSS	150	120-150	4 1/4 - 5 3/8	13	0.914	33	16	6.7	9	18
9089175	7SS	165	135-165	5 1/4 - 6 1/2	13	0.914	33	16	5.9	7.9	18
9089178	7.5SS	190	158-190	6 1/4 - 7 1/2	13	0.914	33	16	5.9	7.9	18
9089172	8.5SS	216	184-216	7 1/4 - 8 1/2	13	0.914	33	16	5.9	7.9	18

RS Part Number	Jubilee Part Number	Description	Contents		Qty	Adjustment Range		Image
			RS Part Number	Jubilee Part Number		mm	Inches	
9089106	HP100SS	Handy Pack	9089100	000SS	10	9.5 - 12	3/8 - 1/2	
			9089119	M00SS	10	11 - 16	1/2 - 5/8	
			9089112	00SS	10	13 - 20	1/2 - 3/4	
			9089116	OSS	10	16 - 22	5/8 - 7/8	
			9089125	OXSS	10	18 - 25	3/4 - 1	
			9089128	1ASS	10	22 - 30	7/8 - 1 1/8	
			9089122	1SS	10	25 - 35	1 - 1 1/8	
			9089131	1XSS	10	30 - 40	1 1/8 - 1 1/2	
			9089134	1MSS	10	32 - 45	1 1/4 - 1 3/4	
9089138	2ASS	10	35 - 50	1 1/8 - 2				
9089080	HCP143SS	Workshop Pack	9089100	000SS	24	9.5 - 12	3/8 - 1/2	
			9089119	M00SS	32	11 - 16	1/2 - 5/8	
			9089112	00SS	28	13 - 20	1/2 - 3/4	
			9089116	OSS	13	16 - 22	5/8 - 7/8	
			9089125	OXSS	13	18 - 25	3/4 - 1	
			9089128	1ASS	14	22 - 30	7/8 - 1 1/8	
			9089122	1SS	12	25 - 35	1 - 1 1/8	
			9089131	1XSS	7	30 - 40	1 1/8 - 1 1/2	
1440637	CD100SS	Clip Dispenser	9089100	000SS	10	9.5 - 12	3/8 - 1/2	
			9089119	M00SS	10	11 - 16	1/2 - 5/8	
			9089112	00SS	10	13 - 20	1/2 - 3/4	
			9089116	OSS	10	16 - 22	5/8 - 7/8	
			9089125	OXSS	10	18 - 25	3/4 - 1	
			9089128	1ASS	10	22 - 30	7/8 - 1 1/8	
			9089122	1SS	10	25 - 35	1 - 1 1/8	
			9089131	1XSS	10	30 - 40	1 1/8 - 1 1/2	
			9089134	1MSS	10	32 - 45	1 1/4 - 1 3/4	
			9089138	2ASS	10	35 - 50	1 1/8 - 2	
		N/A	FLX	3	N/A	N/A		
1440639	CD140SS	Large Clip Dispenser	9089100	000SS	10	9.5 - 12	3/8 - 1/2	
			9089119	M00SS	10	11 - 16	1/2 - 5/8	
			9089112	00SS	10	13 - 20	1/2 - 3/4	
			9089116	OSS	10	16 - 22	5/8 - 7/8	
			9089125	OXSS	10	18 - 25	3/4 - 1	
			9089128	1ASS	10	22 - 30	7/8 - 1 1/8	
			9089122	1SS	10	25 - 35	1 - 1 1/8	
			9089131	1XSS	10	30 - 40	1 1/8 - 1 1/2	
			9089134	1MSS	10	32 - 45	1 1/4 - 1 3/4	
			9089138	2ASS	10	35 - 50	1 1/8 - 2	
			9089147	2SS	10	40 - 55	1 1/8 - 2 1/8	
			9089140	2XSS	10	45 - 60	1 3/4 - 2 3/8	
			9089144	3SS	10	55 - 70	2 1/8 - 2 3/4	
			9089153	3XSS	10	60 - 80	2 3/8 - 3 1/8	
					N/A	FLX	3	

## Section 2 Composition/Information on Ingredients

Composition/Information on constituents of iron alloy.

Manganese	< 11%
Chromium	< 30%
Nickel	< 38%
Mo	< 8 %

Other elements vary such as Si, Cu, Ti, in each alloy composition and are generally not classified as hazardous, or are below the concentration levels for classification of these alloys as hazardous, and are not subject to recognised exposure limits.

## Section 3 First Aid Measures

Inhalation: There are no specific symptoms associated with steel in the product forms.  
Skin: There are no specific symptoms associated with steel in the product forms.  
Eyes: Not applicable.  
Ingestion: Not applicable.

#### **Section 4 Fire Fighting Measures**

Non flammable

#### **Section 5 Handling and Storage**

Store in a dry area

#### **Section 6 Physical and Chemical Properties**

Colour: Metallic grey/silver  
Odour: None  
Form/state: Solid  
Melting point: 1454 °C  
Max service temp: 870 °C  
Min service temp: -196 °C  
Magnetism: 1.008 μ  
Resistance: 72 μΩ  
Density: 8.03 g/cm<sup>3</sup>

#### **Section 7 Stability and Reactivity**

Stability: Stable in normal condition  
Reacts with: Reacts with strong acids, and hydrogen is then one of the substances emitted.  
Corrosion Resistance: NSS (Neutral Salt Spray tests) 1000hours

#### **Section 8 Toxicological Information**

Nickel is classified as a skin sensitizer however numerous patch tests have established that most stainless steels do not cause sensitization, but a few types may result in allergic skin reactions in sensitized individuals after prolonged contact.

No carcinogenic effects resulting from exposure to stainless steels have been reported, either in epidemiological studies or in tests with animals.

#### **Section 9 Ecological Information**

No ecological effects are known for the product as a whole.

#### **Section 10 Disposal Considerations**

Disposal method: Recyclable, Jubilee® clips' Original 304 Stainless Steel Range are made from key raw material for the production of new Stainless steel. Steel is the world's most recycled construction material and can be recycled with retained material properties.

#### **Section 11 Transport Information**

No special requirements are necessary in transporting these products.

## Section 12 Regulatory Information

This product conforms to EU Regulation 1097/2006 (REACH)  
This product is compliant with EU directive 2011/65/EU (ROHS2)  
BS EN ISO 9001:2008 FM00547  
BS EN ISO 14001:2004 EMS573195  
BS OHSAS 18001:2007 OHS601983  
Manufactured to BS5315:1991  
Lloyds Register Type Approval Certificate number 96/00006(E2)

Quality Assurance:



## Section 13 Other Information

The information above is believed to be accurate and represents the best information currently available to L. Robinson & Co Ltd. However, L. Robinson & Co Ltd make no warranty of merchantability or any other warranty, expressed or implied, with respect to such information, and we assume no liability resulting from its use. Users should make their own investigations to determine the suitability of the information for their particular purposes. In no event shall L. Robinson & Co Ltd be liable for any claims, losses, or damages of any third party or for lost profits or any special, indirect, incidental, consequential or exemplary damages, howsoever arising, even if L. Robinson & Co Ltd has been advised of the possibility of such damages.

**Document Issue Date: 10th July 2017**

**Revision Number: 2**