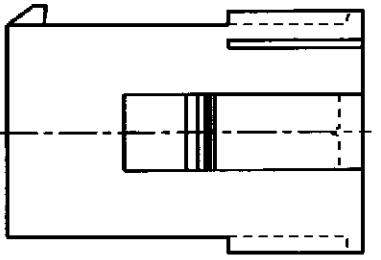
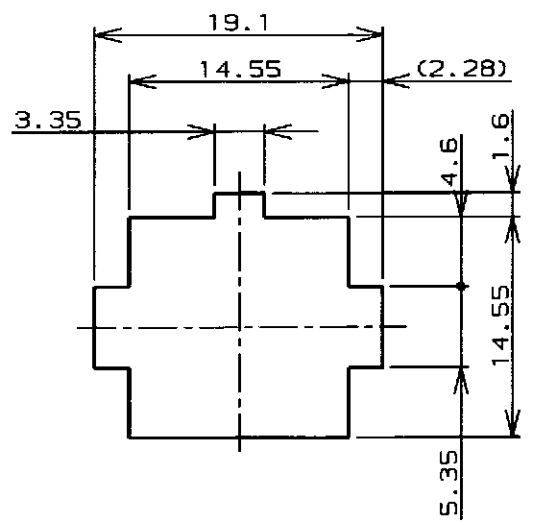
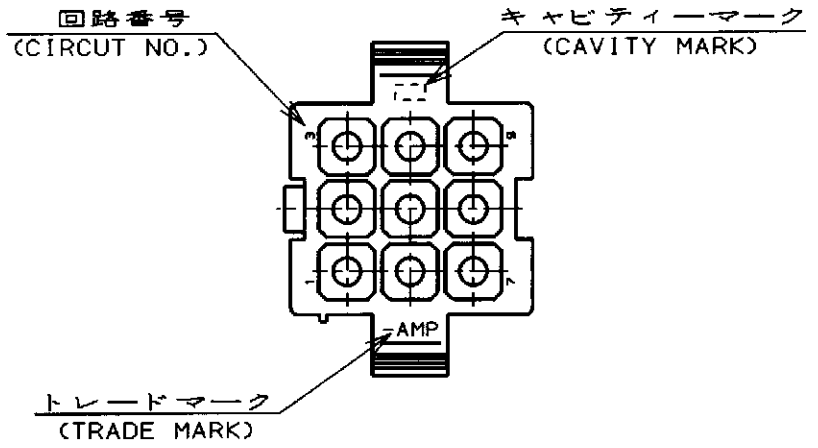
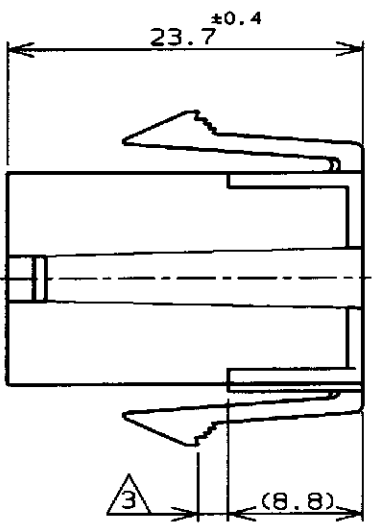
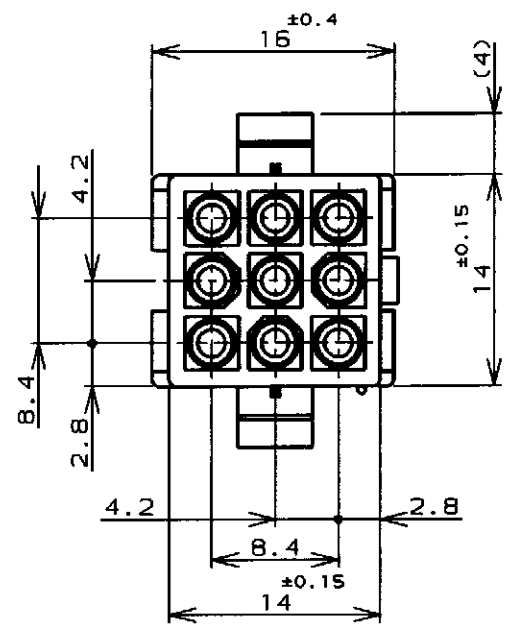


LOC		DIST		REVISIONS			
P	LTR	DESCRIPTION		DATE	DWN	APVD	
E2		REVISED PER ECO-11-005140		30MAR11	RK	HMR	



注記;

1. 使用端子型番は170359, 170360, 170361, 170362
2. 嵌合相手ハウジング型番は172169
3. 通用パネル厚 0.8-2.0mm
4. 取付穴打抜方向とハウジングの挿入方向は同じとする。

NOTE;

1. APPLICABLE CONT P/N: 170359, 170360, 170361, 170362
2. MATING HSG P/N: 172169
3. APPLICABLE PANEL THICKNESS: 0.8-2.0mm
4. HOUSING INSERTION INTO THE PANEL CUT-OUT MUST BE DONE IN THE SAME DIRECTION WITH PUNCH KNOCKING.
5. OBSOLETE PARTS: OBSOLETE CIS STREAMLINING PER D.RENAUD/D.SINISI

寸法公差は±0.20
(TOLERANCE: ±0.20)

パネル取付穴
(RECOMENDED PANEL OPENING DIMENSION)

5
OBSOLETE

黒 (BLACK)	1-172161-9
青 (BLUE)	1-6
緑 (GREEN)	1-5
赤 (RED)	1-2
自然色 (NATURAL)	172161-1
色 (COLOR)	型番 (P/N)
WIRE RANGE 挿合電線断面積	INSULATION DIA 被覆外径

DOWNSIDE		8 JUN '98		N. YAMASAKI	
CHECKED		15 JUN '98		M. SHINDO	
APPROVED		15 JUN '98		M. SHINDO	
PRODUCT SPEC		108-5138			
INSTRUCTION SHEET		IS-105J			
MATERIAL		66ナイロン UL94V-0 (66NYLON UL94V-0)			
FINISH		仕上			
TOLERANCES UNLESS OTHERWISE SPECIFIED		一般公差 (GENERAL TOLERANCE) ±0.3			
DIMENSIONS		単位・純 mm		WEIGHT	
DRAWING NO		CAGE CODE		RESTRICTED TO	
172161		A3 00779			
CUSTOMER DRAWING		SCALE 2-1		SHEET 1 OF 1 REV E2	