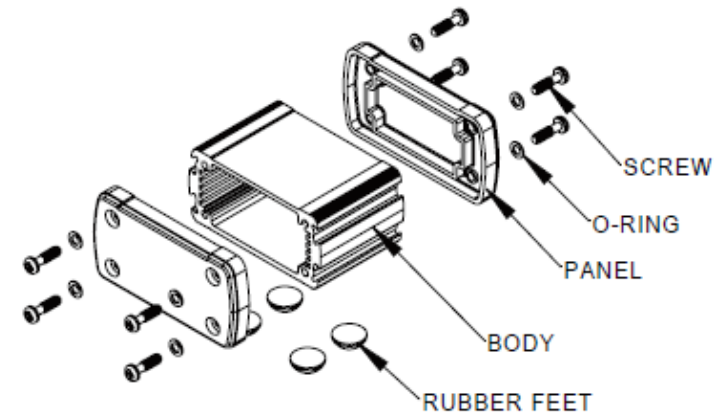
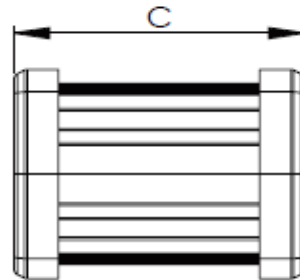
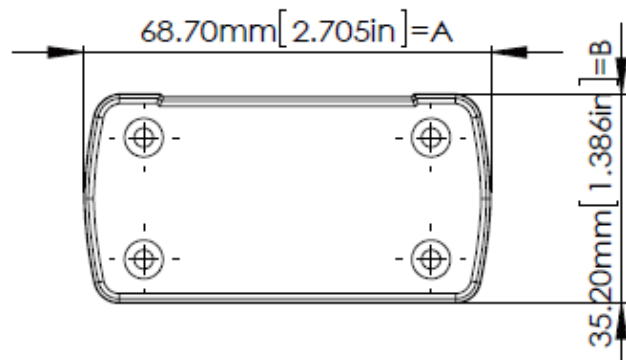
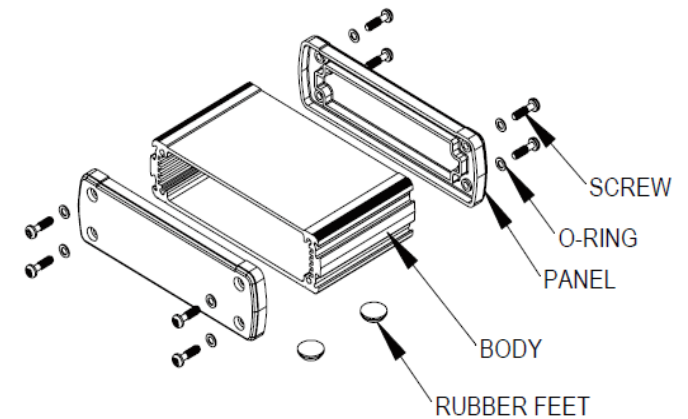
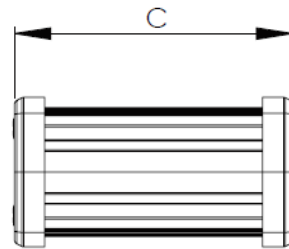
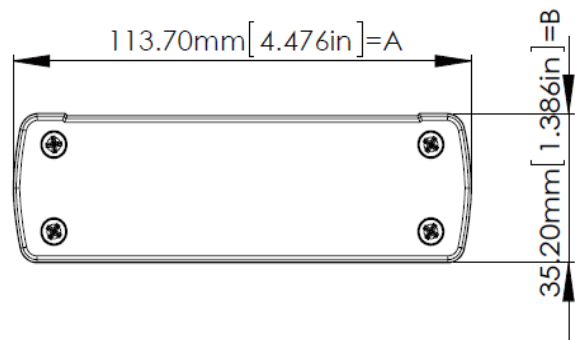


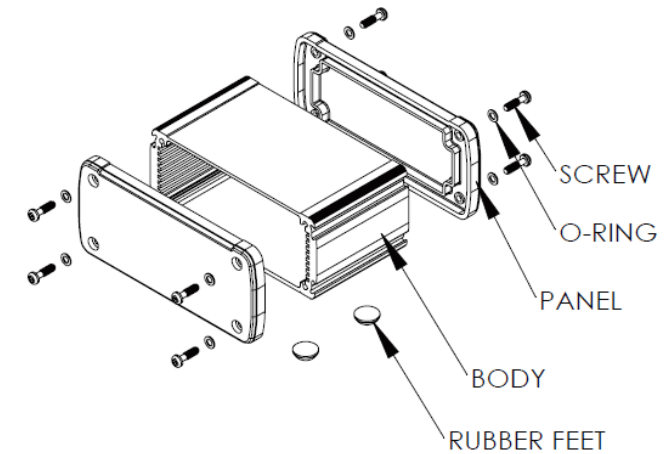
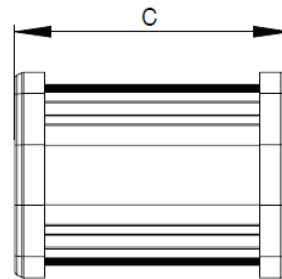
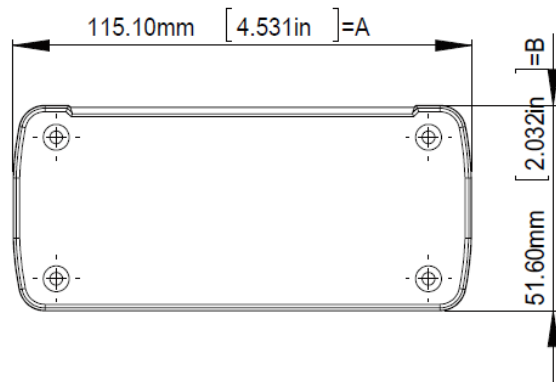
RS Stock No.	BODY	PANEL	O-RING	RUBBER FEET	SCREW	EXTERNAL DIMENSION A x B x C
1368912	ALUMINIUM EXTRUSION 6063/ SILVER ANODIZED(PANTONE 877C)	DIE-CAST ALUMINIUM ADC-12 /PAINTED BLACK(RAL9005)	φ6 x 0.5 mm MATERIAL:PC COLOUR:CLEAR	φ12 x 5 mm MATERIAL:RUBBER COLOUR:BLACK	M3.5 x 12 mm MATERIAL:STAINLESS SUS 304 COLOUR:UNFINISHED	68.7 x 35.2 x 49 mm
1368915	ALUMINIUM EXTRUSION 6063/ BLACK ANODIZED(PANTONE BLACK U)					
1368913	ALUMINIUM EXTRUSION 6063/ SILVER ANODIZED(PANTONE 877C)	DIE-CAST ALUMINIUM ADC-12 /PAINTED BLACK(RAL9005)	φ6 x 0.5 mm MATERIAL:PC COLOUR:CLEAR	φ12 x 5 mm MATERIAL:RUBBER COLOUR:BLACK	M3.5 x 12 mm MATERIAL:STAINLESS SUS 304 COLOUR:UNFINISHED	68.7 x 35.2 x 89 mm
1368916	ALUMINIUM EXTRUSION 6063/ BLACK ANODIZED(PANTONE BLACK U)					
1368914	ALUMINIUM EXTRUSION 6063/ SILVER ANODIZED(PANTONE 877C)	DIE-CAST ALUMINIUM ADC-12 /PAINTED BLACK(RAL9005)	φ6 x 0.5 mm MATERIAL:PC COLOUR:CLEAR	φ12 x 5 mm MATERIAL:RUBBER COLOUR:BLACK	M3.5 x 12 mm MATERIAL:STAINLESS SUS 304 COLOUR:UNFINISHED	68.7 x 35.2 x 129 mm
1368917	ALUMINIUM EXTRUSION 6063/ BLACK ANODIZED(PANTONE BLACK U)					



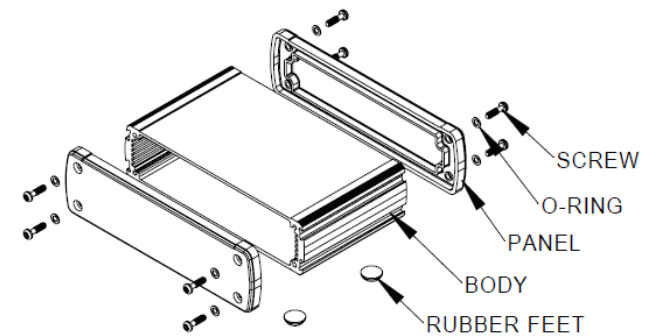
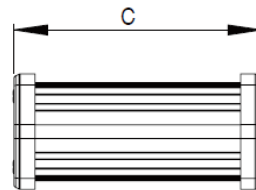
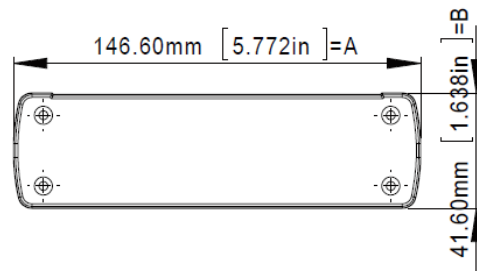
RS Stock No.	BODY	PANEL	O-RING	RUBBER FEET	SCREW	EXTERNAL DIMENSION A x B x C
1368918	ALUMINIUM EXTRUSION 6063/ SILVER ANODIZED(PANTONE 877C)	DIE-CAST ALUMINIUM ADC-12 /PAINTED BLACK(RAL9005)	φ6 x 0.5 mm MATERIAL:PC COLOUR:CLEAR	φ12 x 5 mm MATERIAL:RUBBER COLOUR:BLACK	M3.5 x 12 mm MATERIAL:STAINLESS SUS 304 COLOUR:UNFINISHED	113.7 x 35.2 x 69 mm
1368922	ALUMINIUM EXTRUSION 6063/ BLACK ANODIZED(PANTONE BLACK U)					
1368920	ALUMINIUM EXTRUSION 6063/ SILVER ANODIZED(PANTONE 877C)	DIE-CAST ALUMINIUM ADC-12 /PAINTED BLACK(RAL9005)	φ6 x 0.5 mm MATERIAL:PC COLOUR:CLEAR	φ12 x 5 mm MATERIAL:RUBBER COLOUR:BLACK	M3.5 x 12 mm MATERIAL:STAINLESS SUS 304 COLOUR:UNFINISHED	113.7 x 35.2 x 119 mm
1368923	ALUMINIUM EXTRUSION 6063/ BLACK ANODIZED(PANTONE BLACK U)					
1368921	ALUMINIUM EXTRUSION 6063/ SILVER ANODIZED(PANTONE 877C)	DIE-CAST ALUMINIUM ADC-12 /PAINTED BLACK(RAL9005)	φ6 x 0.5 mm MATERIAL:PC COLOUR:CLEAR	φ12 x 5 mm MATERIAL:RUBBER COLOUR:BLACK	M3.5 x 12 mm MATERIAL:STAINLESS SUS 304 COLOUR:UNFINISHED	113.7 x 35.2 x 169 mm
1368924	ALUMINIUM EXTRUSION 6063/ BLACK ANODIZED(PANTONE BLACK U)					



RS Stock No.	BODY	PANEL	O-RING	RUBBER FEET	SCREW	EXTERNAL DIMENSION A x B x C
1368926	ALUMINIUM EXTRUSION 6063/ SILVER ANODIZED(PANTONE 877C)	DIE-CAST ALUMINIUM ADC-12 /PAINTED BLACK(RAL9005)	φ6 x 0.5 mm MATERIAL:PC COLOUR:CLEAR	φ12 x 5 mm MATERIAL:RUBBER COLOUR:BLACK	M3.5 x 12 mm MATERIAL:STAINLESS SUS 304 COLOUR:UNFINISHED	115.1 x 51.6 x 69 mm
1368929	ALUMINIUM EXTRUSION 6063/ BLACK ANODIZED(PANTONE BLACK U)					
1368927	ALUMINIUM EXTRUSION 6063/ SILVER ANODIZED(PANTONE 877C)	DIE-CAST ALUMINIUM ADC-12 /PAINTED BLACK(RAL9005)	φ6 x 0.5 mm MATERIAL:PC COLOUR:CLEAR	φ12 x 5 mm MATERIAL:RUBBER COLOUR:BLACK	M3.5 x 12 mm MATERIAL:STAINLESS SUS 304 COLOUR:UNFINISHED	115.1 x 51.6 x 119 mm
1368930	ALUMINIUM EXTRUSION 6063/ BLACK ANODIZED(PANTONE BLACK U)					
1368928	ALUMINIUM EXTRUSION 6063/ SILVER ANODIZED(PANTONE 877C)	DIE-CAST ALUMINIUM ADC-12 /PAINTED BLACK(RAL9005)	φ6 x 0.5 mm MATERIAL:PC COLOUR:CLEAR	φ12 x 5 mm MATERIAL:RUBBER COLOUR:BLACK	M3.5 x 12 mm MATERIAL:STAINLESS SUS 304 COLOUR:UNFINISHED	115.1 x 51.6 x 169 mm
1368932	ALUMINIUM EXTRUSION 6063/ BLACK ANODIZED(PANTONE BLACK U)					



RS Stock No.	BODY	PANEL	O-RING	RUBBER FEET	SCREW	EXTERNAL DIMENSION A x B x C
1368933	ALUMINIUM EXTRUSION 6063/ SILVER ANODIZED(PANTONE 877C)	DIE-CAST ALUMINIUM ADC-12 /PAINTED BLACK(RAL9005)	φ6 x 0.5 mm MATERIAL:PC COLOUR:CLEAR	φ12 x 5 mm MATERIAL:RUBBER COLOUR:BLACK	M3.5 x 12 mm MATERIAL:STAINLESS SUS 304 COLOUR:UNFINISHED	146.6 x 41.6 x 89 mm
1368937	ALUMINIUM EXTRUSION 6063/ BLACK ANODIZED(PANTONE BLACK U)					
1368934	ALUMINIUM EXTRUSION 6063/ SILVER ANODIZED(PANTONE 877C)	DIE-CAST ALUMINIUM ADC-12 /PAINTED BLACK(RAL9005)	φ6 x 0.5 mm MATERIAL:PC COLOUR:CLEAR	φ12 x 0.5 mm MATERIAL:RUBBER COLOUR:BLACK	M3.5 x 12 mm MATERIAL:STAINLESS SUS 304 COLOUR:UNFINISHED	146.6 x 41.6 x 129 mm
1368938	ALUMINIUM EXTRUSION 6063/ BLACK ANODIZED(PANTONE BLACK U)					
1368935	ALUMINIUM EXTRUSION 6063/ SILVER ANODIZED(PANTONE 877C)	DIE-CAST ALUMINIUM ADC-12 /PAINTED BLACK(RAL9005)	φ6 x 0.5 mm MATERIAL:PC COLOUR:CLEAR	φ12 x 0.5 mm MATERIAL:RUBBER COLOUR:BLACK	M3.5 x 12 mm MATERIAL:STAINLESS SUS 304 COLOUR:UNFINISHED	146.6 x 41.6 x 169 mm
1368939	ALUMINIUM EXTRUSION 6063/ BLACK ANODIZED(PANTONE BLACK U)					
1368936	ALUMINIUM EXTRUSION 6063/ SILVER ANODIZED(PANTONE 877C)	DIE-CAST ALUMINIUM ADC-12 /PAINTED BLACK(RAL9005)	φ6 x 0.5 mm MATERIAL:PC COLOUR:CLEAR	φ12 x 0.5 mm MATERIAL:RUBBER COLOUR:BLACK	M3.5 x 12 mm MATERIAL:STAINLESS SUS 304 COLOUR:UNFINISHED	146.6 x 41.6 x 209 mm
1368940	ALUMINIUM EXTRUSION 6063/ BLACK ANODIZED(PANTONE BLACK U)					



RS Stock No.	BODY	PANEL	O-RING	RUBBER FEET	SCREW	EXTERNAL DIMENSION A x B x C
1368941	ALUMINIUM EXTRUSION 6063/ SILVER ANODIZED(PANTONE 877C)	DIE-CAST ALUMINIUM ADC-12 /PAINTED BLACK(RAL9005)	φ6 x 0.5 mm MATERIAL:PC COLOUR:CLEAR	φ12 x 5 mm MATERIAL:RUBBER COLOUR:BLACK	M3.5 x 12 mm MATERIAL:STAINLESS SUS 304 COLOUR:UNFINISHED	177.6 x 61.1 x 89 mm
1368945	ALUMINIUM EXTRUSION 6063/ BLACK ANODIZED(PANTONE BLACK U)					
1368942	ALUMINIUM EXTRUSION 6063/ SILVER ANODIZED(PANTONE 877C)	DIE-CAST ALUMINIUM ADC-12 /PAINTED BLACK(RAL9005)	φ6 x 0.5 mm MATERIAL:PC COLOUR:CLEAR	φ12 x 0.5 mm MATERIAL:RUBBER COLOUR:BLACK	M3.5 x 12 mm MATERIAL:STAINLESS SUS 304 COLOUR:UNFINISHED	177.6 x 61.1 x 129 mm
1368946	ALUMINIUM EXTRUSION 6063/ BLACK ANODIZED(PANTONE BLACK U)					
1368943	ALUMINIUM EXTRUSION 6063/ SILVER ANODIZED(PANTONE 877C)	DIE-CAST ALUMINIUM ADC-12 /PAINTED BLACK(RAL9005)	φ6 x 0.5 mm MATERIAL:PC COLOUR:CLEAR	φ12 x 0.5 mm MATERIAL:RUBBER COLOUR:BLACK	M3.5 x 12 mm MATERIAL:STAINLESS SUS 304 COLOUR:UNFINISHED	177.6 x 61.1 x 169 mm
1368948	ALUMINIUM EXTRUSION 6063/ BLACK ANODIZED(PANTONE BLACK U)					
1368944	ALUMINIUM EXTRUSION 6063/ SILVER ANODIZED(PANTONE 877C)	DIE-CAST ALUMINIUM ADC-12 /PAINTED BLACK(RAL9005)	φ6 x 0.5 mm MATERIAL:PC COLOUR:CLEAR	φ12 x 0.5 mm MATERIAL:RUBBER COLOUR:BLACK	M3.5 x 12 mm MATERIAL:STAINLESS SUS 304 COLOUR:UNFINISHED	177.6 x 61.1 x 209 mm
1368949	ALUMINIUM EXTRUSION 6063/ BLACK ANODIZED(PANTONE BLACK U)					

