

## Mod. G7622 - Fittings Series 7000 - Automation

A( title="()", format="" ),D( title="()", format="" ),E( title="()", format="" ),G( title="()", format="" ),H( title="()", format="" )

Datasheet creation date: 11/12/2025 09:42

Check the most updated document online [click here](#)

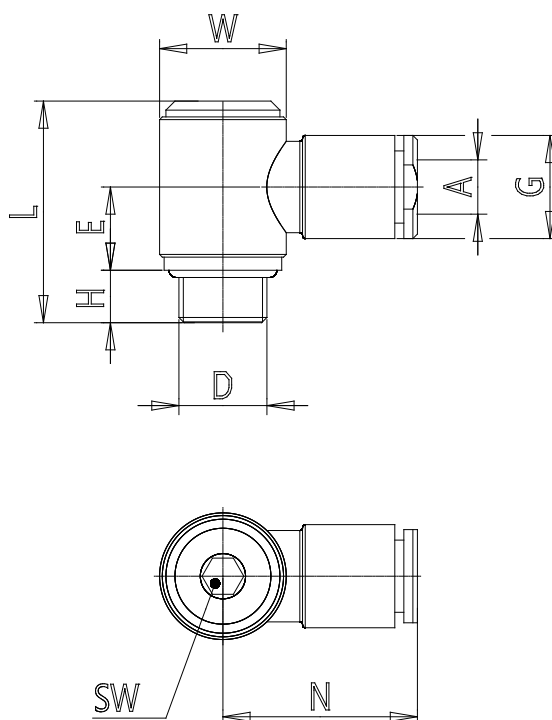


### TECHNICAL DATA

Mod.	G7622 8-1/4
------	-------------

## Mod. G7622 - Fittings Series 7000 - Automation

A( title=" ( )", format="" ),D( title=" ( )", format="" ),E( title=" ( )", format="" ),G( title=" ( )", format="" ),H( title=" ( )", format="" )



### DIMENSIONS

<b>A (mm)</b>	8
<b>D</b>	G1/4
<b>E (mm)</b>	12.5
<b>G (mm)</b>	13.7
<b>H (mm)</b>	6
<b>L (mm)</b>	28.0
<b>N (mm)</b>	25.0
<b>W (mm)</b>	18.5
<b>SW (mm)</b>	5.0
<b>Weight (g)</b>	26