

Product datasheet

Specifications



standard analog input kit STB - 2 I - 15 bits + sign

Local distributor code:

389838689

STBART0200K

EAN Code: 3595863948691

Main

Range of product	Modicon STB distributed I/O solution
Product or component type	Standard analog input kit
Kit composition	STBART0200 module STBXTS1100, 6-terminal screw type connector STBXBA1000 base STBXTS2100, 6-terminal spring clamp connector
Product compatibility	Mounting base STBXBA1000 Power distribution module STBPDT3100/3105
Analogue input number	2
Analogue output number	0

Complementary

Hot swapping fallback	Yes for standard NIMs
Height	18.4 mm
Width	128.3 mm
Depth	70 mm

Environment

Marking	CE
Relative humidity	95 % at 60 °C without condensation

Packing Units

Unit Type of Package 1	PCE
Number of Units in Package 1	1
Package 1 Height	3.000 cm
Package 1 Width	8.300 cm
Package 1 Length	13.300 cm
Package 1 Weight	136.000 g
Unit Type of Package 2	S02
Number of Units in Package 2	42
Package 2 Height	15.000 cm
Package 2 Width	30.000 cm
Package 2 Length	40.000 cm
Package 2 Weight	6.031 kg

Logistical informations

Country of origin FR

Contractual warranty

Warranty (in months) 18



Environmental Data

Schneider Electric aims to achieve Net Zero status by 2050 through supply chain partnerships, lower impact materials, and circularity via our ongoing “Use Better, Use Longer, Use Again” campaign to extend product lifetimes and recyclability.

[Environmental Data explained >](#)

[How we assess product sustainability >](#)



Environmental footprint

Total lifecycle Carbon footprint	14 kg CO2 eq.
Carbon footprint of the manufacturing phase [A1 to A3]	7 kg CO2 eq.
Carbon footprint of the distribution phase [A4]	0 kg CO2 eq.
Carbon footprint of the installation phase [A5]	0 kg CO2 eq.
Carbon footprint of the use phase [B2, B3, B4, B6]	7 kg CO2 eq.
Carbon footprint of the end-of-life phase [C1 to C4]	0 kg CO2 eq.
Environmental Disclosure	Product Environmental Profile

Use Better



Materials and Substances

Packaging made with recycled cardboard	No
Packaging without single use plastic	No
SCIP Number	6830dd70-e4bc-47df-85c7-e41f888576f4

Use Longer



Lifetime extension

Repair	No
--------	----

Use Again

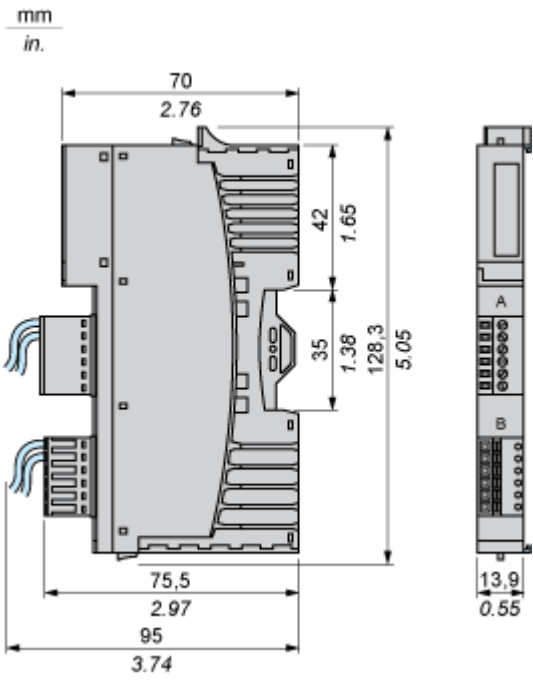


Repack and remanufacture

End of life manual availability	End of Life Information
Take-back	No

Dimensions Drawings

Dimensions

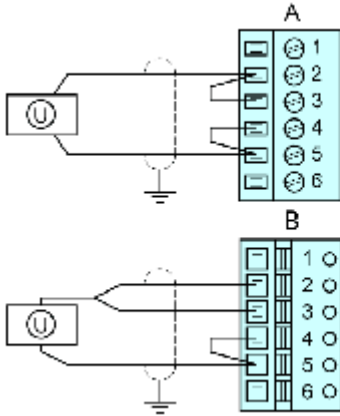


Connections and Schema

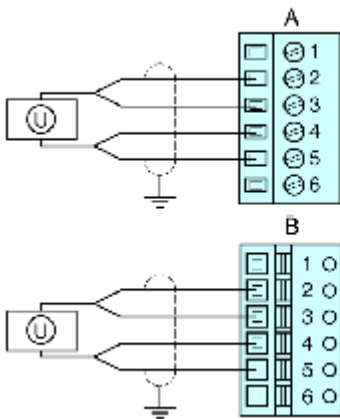
Wiring Diagrams

Examples

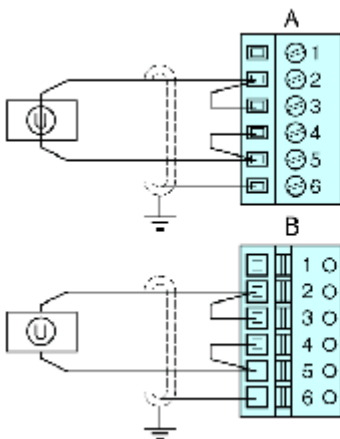
2 and 3-wire temperature probes



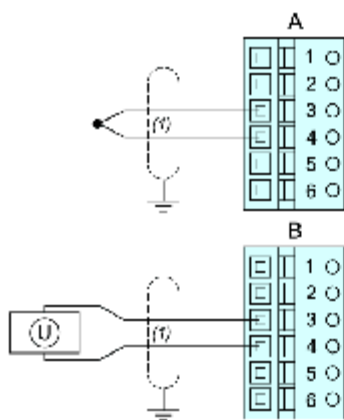
4-wire temperature probes



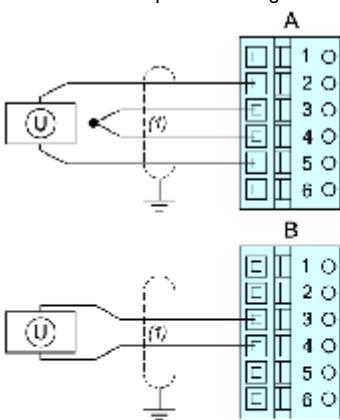
2-wire temperature probes in highly disturbed environments



2-wire thermocouple and voltage sensor (mV)



2-wire thermocouple and voltage sensor (mV) with cold-junction compensation



Pin	Top Connections	Bottom Connections
1	no connection	no connection
2	Always used for RTD +	Always used for RTD +
	RTD + connection for external cold-junction compensation on a TC sensor	
	no connection for TC or mV	no connection for TC or mV
3	TC + or mV + connection	TC + or mV + connection
	Either used or jumpered for a two-, three-, or four-wire RTD	Either used or jumpered for a two-, three-, or four-wire RTD
4	TC - or mV - connection	TC - or mV - connection

Pin	Top Connections	Bottom Connections
	Either used or jumpered for a two-, three-, or four-wire RTD	Either used or jumpered for a two-, three-, or four-wire RTD
5	Always used for RTD -	Always used for RTD -
	RTD - connection for external cold-junction compensation on a TC sensor	
	no connection for TC or mV	
6	inner double-shield cable	cable shield