



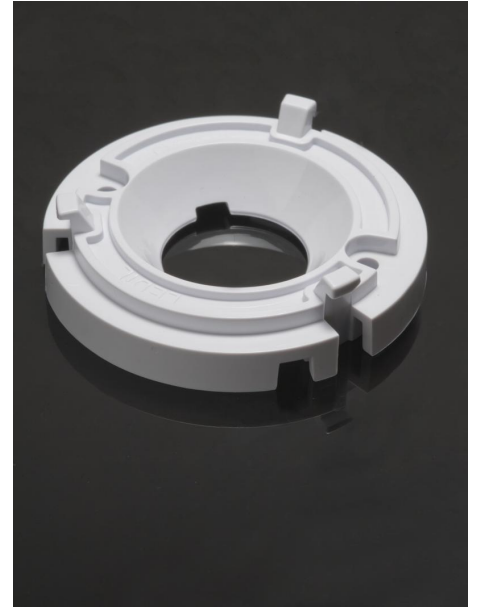
PRODUCT DATASHEET

Lena series

last update 13/11/2014

DETAILS

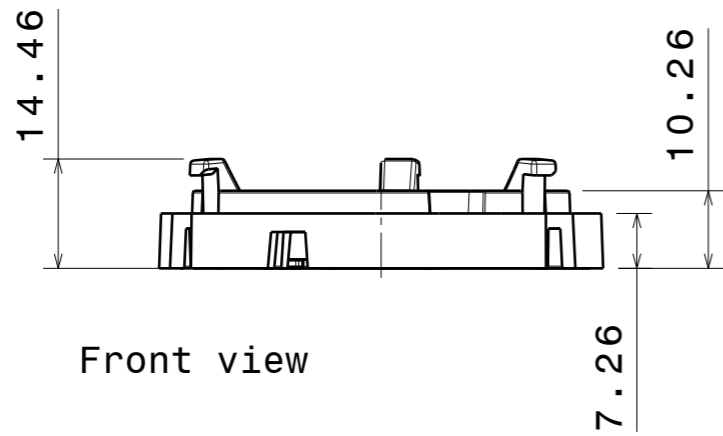
| | |
|------------------------|----------------------------|
| Product Number | C13324_LENA-STD-BASE-CXA25 |
| Family | Lena |
| Type | Base part |
| Color | white |
| Diameter | 58,71 mm |
| Height | 14.46 mm |
| Style | round |
| Optic Material | |
| Holder Material | PC |
| Fastening | screw |
| Status | ready |
| ROHS Compliant | Yes |
| Date Updated | 13/11/2014 |



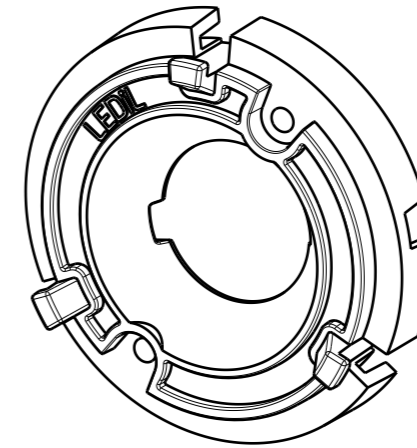
OPTICAL PROPERTIES

| LED | Viewing Angle | Light Beam | Efficiency | cd/lm | Connector |
|------------|---------------|------------|------------|------------|-----------|
| CXA/B 25xx | N/A deg | | - | sim: 0.000 | - |

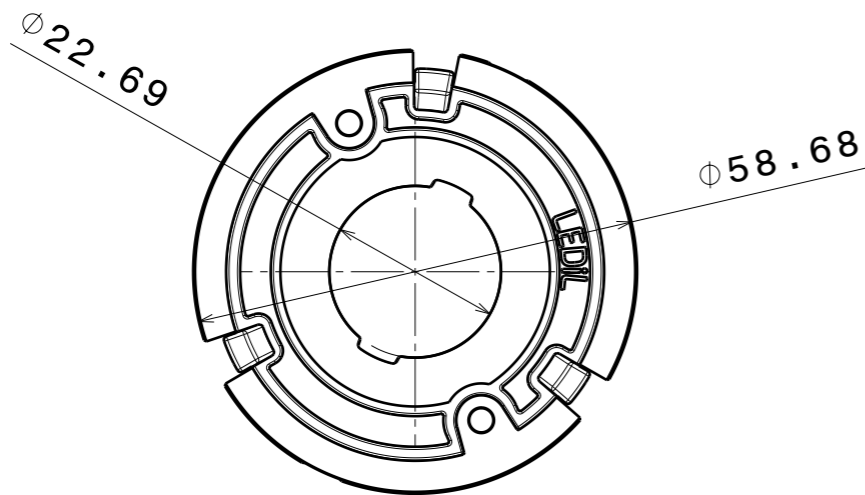
H G F E D C B A



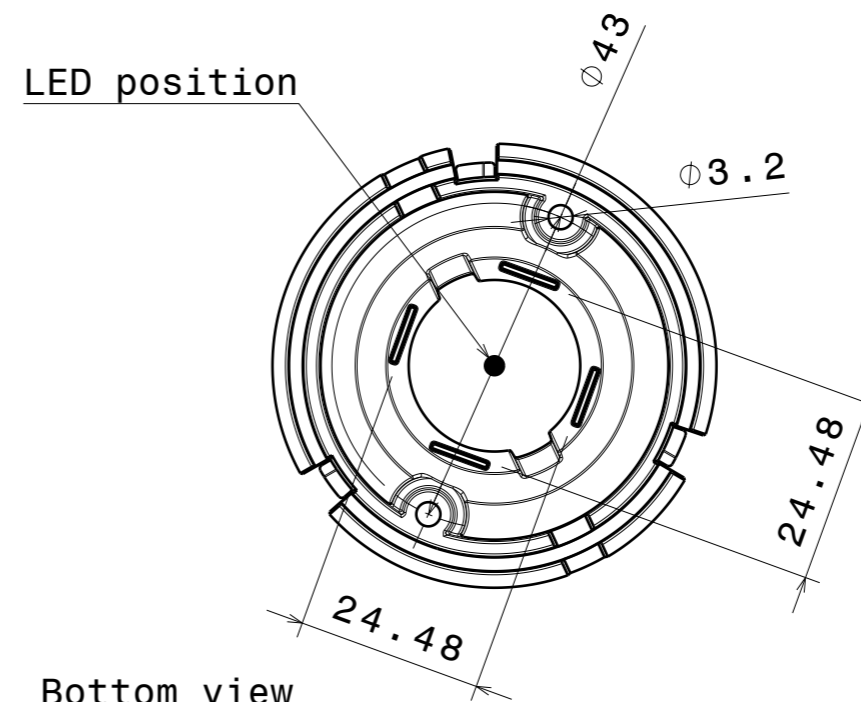
Front view



Isometric view



Top view



Bottom view

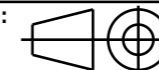
| INDEX | PART NO | DESCRIPTION | MATERIAL | COLOUR |
|-------|---------|---------------------|----------|--------|
| 1 | C13324 | LENA-STD-BASE-CXA25 | PC | white |

Tolerances if not otherwise shown
 According to DIN ISO 2768-1
 Linear measures: class C
 According to DIN ISO 2768-2
 Form and position: class L



Ledil Oy
 Salorankatu 10
 FIN 24240 SALO
 Finland

THIRD ANGLE PROJECTION:



DRAWING TITLE
C13324_LENA-STD-BASE-CXA25

This drawing is the property
 of LEDiL Oy. It may not be
 reproduced, copied or
 communicated without a written
 agreement with LEDiL Oy.

| | |
|-----------|---------------|
| SIZE | PART NUMBER |
| A3 | C13324 |

| | | | | | |
|-------|-----|--------|---------|-------|-----|
| SCALE | 1:1 | WEIGHT | 11,21 g | SHEET | 1/1 |
|-------|-----|--------|---------|-------|-----|

H G B A

NOTE: The typical divergence will be changed by different color, chip size and chip position tolerance. The typical total divergence is the full angle measured where the luminous intensity is half of the peak value.