

## Surrounding Area Conditions

The enclosure is manufactured from ABS & Polycarbonate.

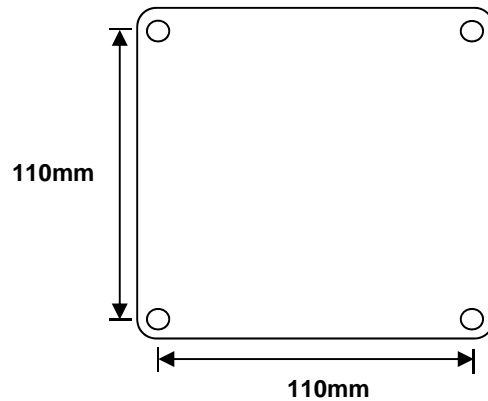
The performance of these materials should be considered with respect to contact with aggressive substances with which the unit may come into contact.

Dust or other material should not be allowed to accumulate on or cover the unit. The surface may be cleaned with a damp cloth.

The thermostat unit is intended for use under normal industrial conditions and should not be installed in an area where extreme vibration may occur.

The installation of this product must be carried out by suitably trained and qualified personnel

## Mounting



Every part matters

EN

Instruction Manual

# RS Pro Digital Trace Heating Thermostat

Stock Number 703-3202

---

RS Digital Thermostats are microprocessor based digital electro controller thermostat units suitable for use as temperature control unit for electric surface heating systems in non-hazardous areas.

Maximum Current Rating	:	16 amp
Maximum Voltage	:	240V
Ingress Protection	:	IP66
Range	:	-50°C to +150°C.
Enclosure	:	ABS with Polycarbonate Lid.

## Installation

The thermostat unit should be mounted securely to a suitable flat surface or on a mounting plate securely fixed to the pipework.

Cover fixing screws should be tightened to ensure the lid is correctly fitted.

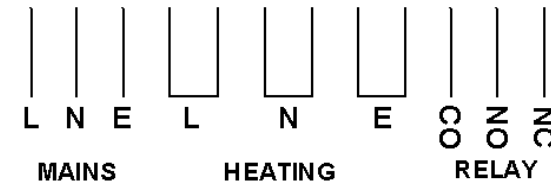
The sensing bulb when using in a pipe sensing role should be securely fixed in good contact with the surface of the pipe or vessel being controlled. This may be done using an adhesive tape or tension banding suitable for the maximum operating surface temperature of the pipe or vessel.

Thermostat Setting:

- Whilst energised, Press and Hold "P" and "SP" will flash for approximately 6 seconds and then display "0" use the up and down arrows to input the password "2495" and then press "P" to enter the setup mode.
- Set point low level "SPLL" will now flash, press "P" to change the value, "SPLL" determines the lower range that the set point value "SP" can be altered to.
- Press "P" and cycle using the up or down arrows to "SP" press "P" and use the arrows to set the required control temperature, press "P" when complete, this can be altered from the front in normal mode.
- Cycle to "LAL" and press "P" use the arrows to select the difference in temperature from the set point the alarm is required to operate at ( SP 25°C, Alarm required at 20°C, set "LAL" to 5°C) press "P" to return to menu.
- Cycle to "HAL" and press "P" use the arrows to select the difference in temperature from the set point the alarm is required to operate at ( SP 25°C, alarm required at 30°C, set "HAL" to 5°C) press "P" to return to menu.

- Cycle to "SPHL" and press "P" use the arrows to set the value of "SPHL" determines the upper range that the "SP" can be altered too press "P" to return to menu.
- Once the above has been set the unit will return to its main temperature screen after 15sec if no buttons are pushed.
- Press "P" and "SP" will flash alternating between "SP" and the current set Temperature, press the up "▲" and down "▼" arrows to select the required control temperature. Press "P" to set, if no key is pressed for 15 seconds the display will reset to normal operation.

## Electrical



Maximum conductor size shall be 2.5mm<sup>2</sup>.

Connect the incoming supply to Supply L (live) and N (neutral) E (earth).

All conductors must be fully tightened down within the equipment terminals. It is important that the correct size of screwdriver is used as an oversized screwdriver may damage the terminal in

## Maintenance

Periodic inspection of the unit is necessary.

Particular attention should be paid to: tightening of terminal screws, cover fixing screws and earthing assemblies. If any parts are lost or require replacement contact RS Components Ltd for the appropriate replacement part. Only approved replacement parts should be used.

The information provided in RS technical literature is believed to be accurate and reliable: however, RS Components assumes no responsibility for inaccuracies or omissions, or for the use of this information, and all use of such information shall be entirely at the user's own risk.

No responsibility is assumed by RS Components for any infringements of patents or other rights of third parties which may result from its use.

Specifications shown in RS Components technical literature are subject to change without notice