

Datasheet

# 2.5" SATA SSD

## 3IE series

- iSLC technology
- 2.5" SATA III solution for industrial field
- 7mm height mechanical design
- iSMART disk health monitoring
- Intelligent error recovery system
- Excellent data transfer speed
- Enhanced power cycling management



### Introduction

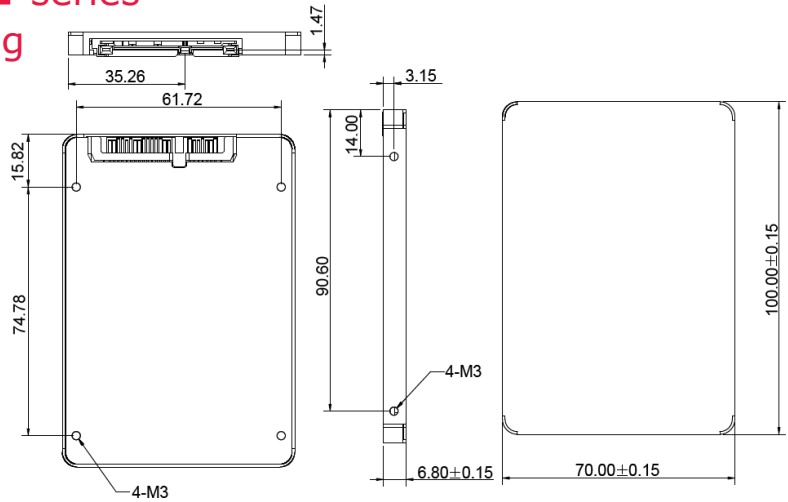
iSLC [3IE series], designed to outdo the endurance, performance and reliability of MLC-based solutions. Through the use of flash management algorithms, iSLC improves SSD endurance up to 30,000 times, increasing lifespans up to 10 times longer than MLC-based solutions. In addition, iSLC improves the performance of solid state drives, with similar write performance of SLC-based solutions, and with data quality that is on par with SLC technologies. The Innodisk iSLC series is cost efficient, boasting excellent benefits at only half the price of SLC-based solutions.

Innodisk 2.5" SATA SSD 3IE is SATA III 6Gb/s Flash based disk with iSLC technology, which delivers excellent performance and reliability making it the ideal solution for a variety of applications, including embedded system, industrial computing, and enterprise field. 2.5" SATA SSD 3IE not only performs unmatched performance, but also designed with Innodisk owned technical knowhow to ensure the data integrity and highest levels of reliability.

# 2.5" SATA SSD

## 3IE series

### Drawing



Contact us for more information about the 2.5" SATA SSD 3IE

Innodisk is a service-driven provider of industrial embedded flash and DRAM storage products and technologies, with a focus on the industrial/embedded, aerospace and defense, and cloud computing industries.

## Specifications

Interface	SATA III
Flash Type	iSLC
Flash P/E Cycle Limit	30,000
Capacity	8GB~256GB
Max. Channels	4
Sequential R/W (MB/sec, max.)	500 / 420
Max. Power Consumption	4.4W (5V x 870 mA )
Thermal Sensor	√
External DRAM Buffer	-
H/W Write Protect	-
Pin7 Power	-
ATA Security	Supported
S.M.A.R.T.	Supported
Dimension (WxLxH)	69.85 X 100.10 X 7.0 mm
Environment	Vibration: 20G @7~2000Hz Shock: 1500G @ 0.5ms Storage Temperature: -55°C ~ +95°C MTBF: 3 million hours

### Headquarters (Taiwan)

9F., No.100, Sec. 1, Xintai 5th Rd.,  
Xizhi Dist., New Taipei City,  
Taiwan (R.O.C.)  
Tel: +886-2-26963000  
Email: sales@innodisk.com

### Branch Offices:

USA  
[usasales@innodisk.com](mailto:usasales@innodisk.com)  
+1-510-770-9421  
Europe  
[eusales@innodisk.com](mailto:eusales@innodisk.com)  
+31-(0)40-282-1818  
Japan  
[jpsales@innodisk.com](mailto:jpsales@innodisk.com)  
+81-3-6661-9846  
China  
[sales\\_cn@innodisk.com](mailto:sales_cn@innodisk.com)  
+86-755-21673689  
[www.innodisk.com](http://www.innodisk.com)

© 2012 Innodisk Corporation.  
All right reserved. Specifications are  
subject to change without  
prior notice.

20140314

## Ordering Information

Operation Temp.	8GB	16GB	32GB	64GB	128GB	256GB
Standard Grade (0°C ~ +70°C)	DHS25-08GD062C1DC	DHS25-16GD062C1QC	DHS25-32GD062C1QC	DHS25-64GD062C1QC	DHS25-A28D062C1QC	DHS25-B56D062C1QC
Industrial Grade (-40°C ~ +85°C)	DHS25-08GD062W1DC	DHS25-16GD062W1QC	DHS25-32GD062W1QC	DHS25-64GD062W1QC	DHS25-A28D062W1QC	DHS25-B56D062W1QC

innodisk

[www.innodisk.com](http://www.innodisk.com)