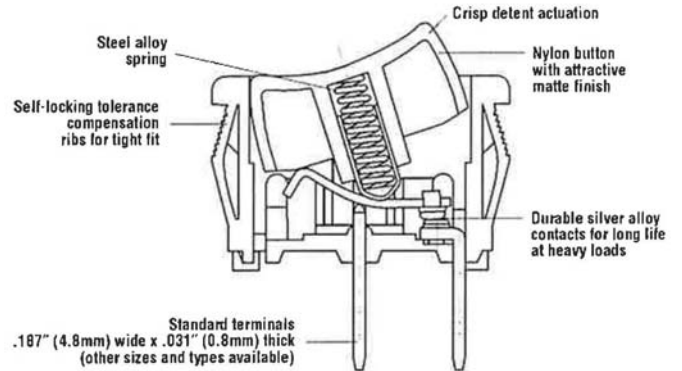


Single-Pole Round Rocker Switch SR Series



Features

- 20 amp switching in a compact design
- Self locking tabs and anti-rotation pin for snug fit
- Mechanical life: min. 50,000 operations

Electrical Ratings				
Switch Series	EN61058 Rating	UL1054 Rating	Electrical Life at Rated Load	
			According to VDE (Min. Operations)	According to UL (Min. Operations)
SR	N/A	20A, 125VAC; 12A, 250VAC	N/A	6,000

Electrical Specifications		Material Specifications	
Ratings:	20A, 125VAC; 12A, 250VAC	Actuator:	Nylon 66 94V-2
Dielectric Strength:	1000VAC for 1 minute	Base:	Nylon 66 94V-2
Insulation Resistance:	100M ohms min at 500VDC	Spring:	Steel Wire
Initial Contact Resistance:	0.020 ohms max	Contacts:	Silver Alloy
Temperature Range:	-20°C to + 65°C	Movable Arm:	Silver-Plated Copper Alloy
		Terminals:	Tin-Plated Copper Alloy



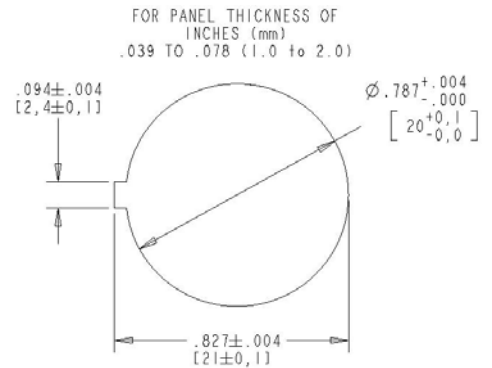
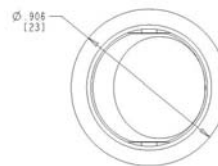
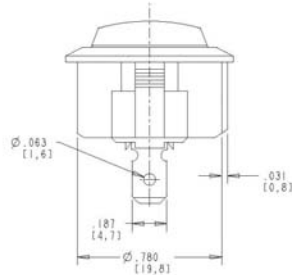
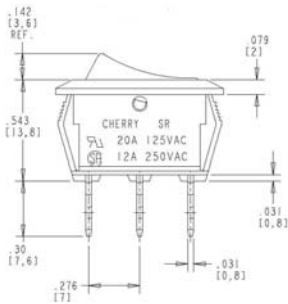
RoHS Compliant
UL File No: E23301

Specifications subject to change without notice.

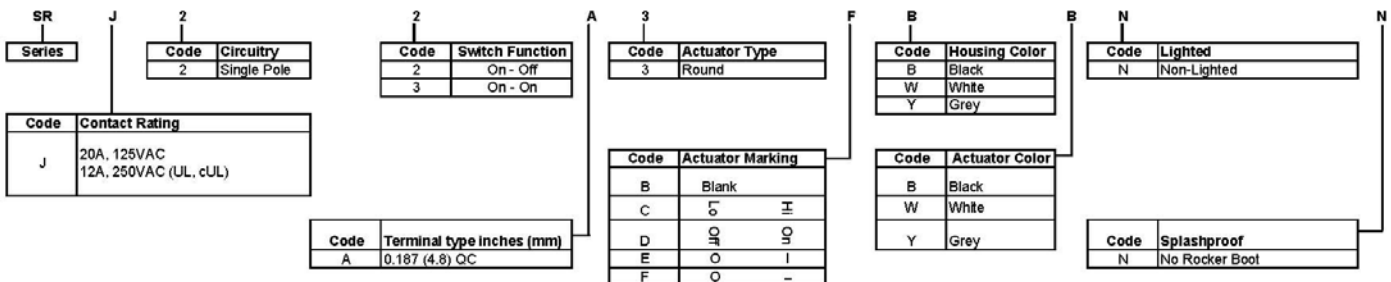
Single-Pole Round Rocker Switch SR Series

Dimensions inches (mm)

Recommended Panel Cut-Out Dimensions inches



Ordering Information



Examples of Common Part Numbers and Descriptions inches (mm)

Part Number	Circuitry	Switch Function	Terminal Type	Actuator/ Housing Color	Legend Marking
SRJ22A3BBBNN		On - Off	0.187 (4.80) Quick-Connect	Black/ Black	
SRJ23A3BBBNN		On - On	0.187 (4.80) Quick-Connect	Black/ Black	
SRJ22A3WWNN		On - Off	0.187 (4.80) Quick-Connect	White/ White	
SRJ22A3FBNN		On - Off	0.187 (4.80) Quick-Connect	Black/ Black	

Contact

Call, fax or visit our Website for more information.

ZF Electronics Corporation
11200 88th Avenue
Pleasant Prairie, WI 53158

Phone: 262.942.6500
Web: www.cherrycorp.com
Email: cep_sales@zf.com
Fax: 262.942.6566

The manufacturer accepts no liability for errors or non-availability, and reserves the right to change specifications without prior notice.

Technical data relates to product specifications only. Features may differ from those described. Only drawings combined with product specifications shall be deemed binding.

© 2007 ZF Electronics Corporation

Last Updated: 12/5/11

