



Electrical features

Number of poles		1
Rated insulation voltage Ui	V	1000
IEC Conventional free air thermal current Ith ≤ 40°C	A	85
Conventional free air thermal current Ith UL/CSA	A	85
Rated peak withstand current Ipk	kA	22
Rated short time current Icw 1s	kA	3
Short circuit rating (UL)	kA	10

Connections

Terminal hole diameter_Option 1	mm	1x6mm
Conductor section connectable_Option 1	mm ² AWG	6...16 16...4
Tightening torque Max_Option 1	Nm lbin	3.5 31
Terminal hole diameter_Option 2	mm	4x4.4mm
Conductor section connectable_Option 2	mm ² AWG	2.5...6 16...8
Tightening torque Max_Option 2	Nm lbin	1.2 11
Terminal hole diameter_Option 3	mm	2x6mm
Conductor section connectable_Option 3	mm ² AWG	2.5...16 16...4
Tightening torque Max_Option 3	Nm lbin	3.5 31

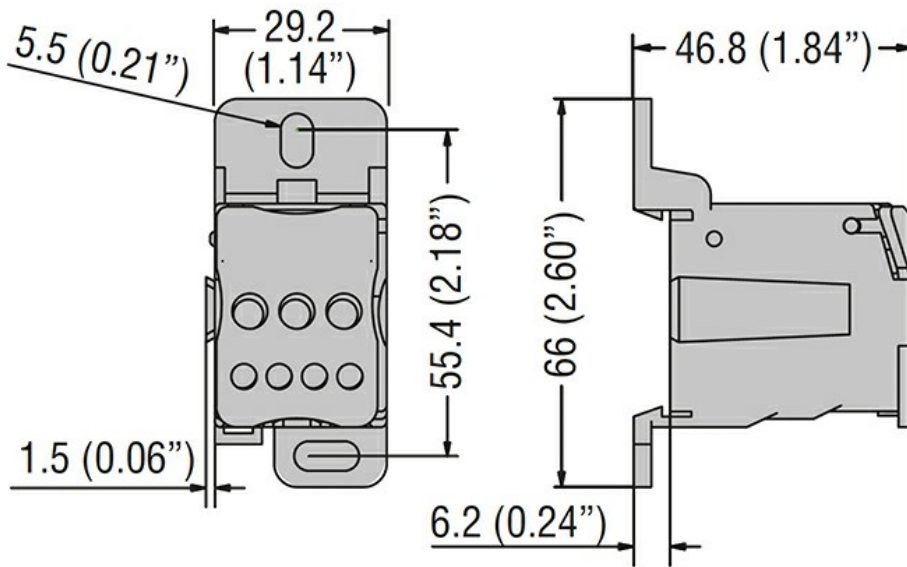
Mechanical features

Operating position	normal allowable	Vertical plane Any
Fixing		Screw / DIN rail 35mm
Metric Allen Key	mm	2,5-3
Weight	g	72

Resistance & Protection

Terminals IP degree	IP20 front
---------------------	------------

Dimensions



Certifications and compliance

Certifications

IEC/EN/BS 60947-7-1

Compliance

cURus

ETIM classification

EC000066 - Power contactor, AC switching