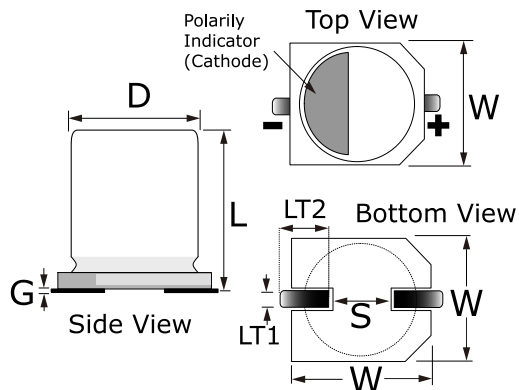


**KEMET Part Number: FC0V474ZFTBR24**  
(USCFC00V474ZBC)

FC, Supercapacitors, SMD Can, 0.47 F, -20/+80%, 3.5 VDC, V-Chip



**Dimensions**

<b>D</b>	10.5mm +/-0.5mm
<b>L</b>	8.5mm MAX
<b>W</b>	10.8mm +/-0.2mm
<b>S</b>	5mm NOM
<b>G</b>	0mm +0.3/-0.1mm
<b>LT1</b>	1.2mm +/-0.1mm
<b>LT2</b>	3.6mm +0.5mm

**Packaging Specifications**

<b>Lead:</b>	V-Chip
<b>Packaging:</b>	T&R, 380mm

**General Information**

<b>Supplier:</b>	KEMET
<b>Series:</b>	FC
<b>Description:</b>	Surface Mount Double Layer Capacitor
<b>Features:</b>	Ultra Low ESR, High Power Pulse
<b>RoHS:</b>	Yes

**Specifications**

<b>Capacitance:</b>	0.47 F
<b>Capacitance Tolerance:</b>	-20/+80%
<b>Voltage DC:</b>	3.5 VDC
<b>Temperature Range:</b>	-25/+70C
<b>Rated Temperature:</b>	70°C
<b>Resistance:</b>	25000 mOhms (1kHz)
<b>Ripple Current:</b>	0.42 mAmps (30min)